

Southern PRIDE

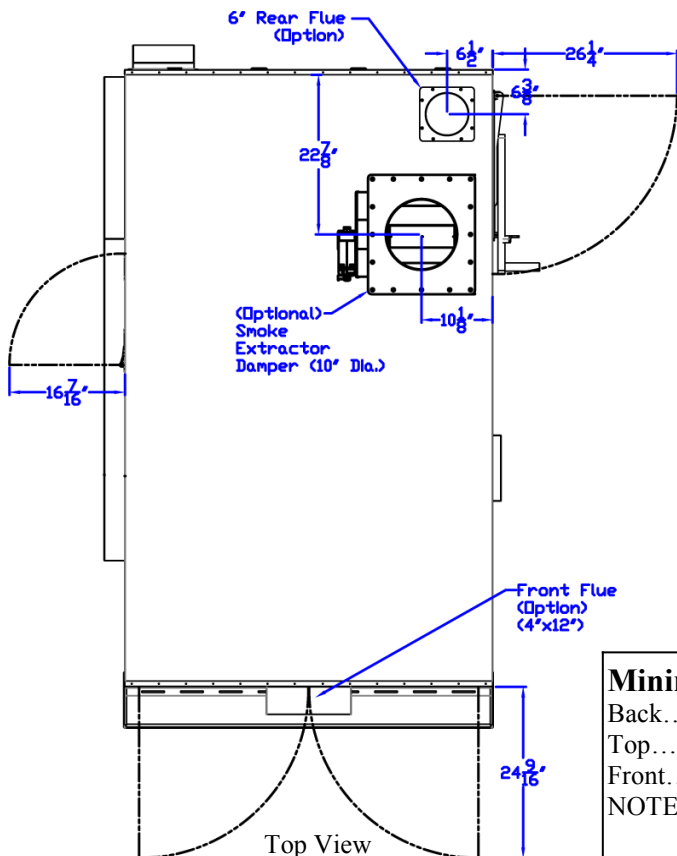
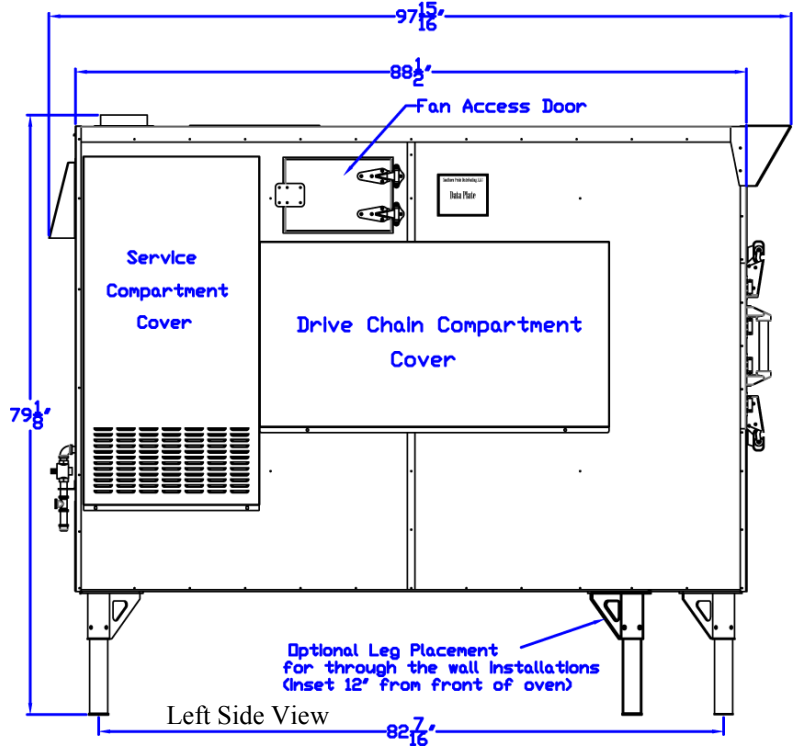
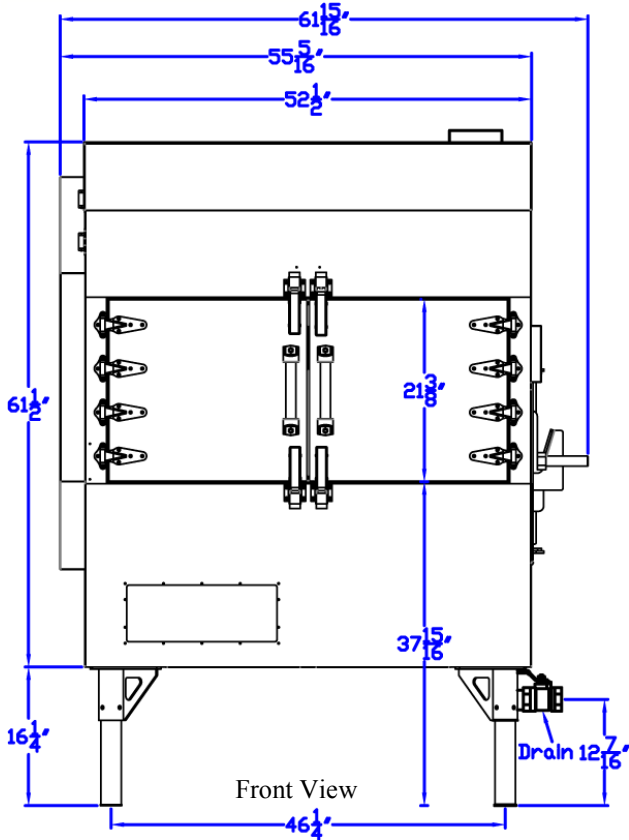
WOOD BURNING BBQ PITs & SMOKERS

SPECIFICATIONS MODEL: SPK- 1000

Approximate Cooking Capacities

(capacities will vary based on physical shape, weight, and method of loading for each product specified.)

Pork Butts (8-10 lb. each).....	96 pieces
St. Louis Ribs (2.75 lb. each).....	96 pieces
Whole Chicken (3-4 lb. each).....	216 pieces
Beef Brisket (11-13 lb. each).....	60 pieces
Spare Ribs (4-5 lb. each).....	60 pieces



Requirements & Feature Specifications

Electrical Requirements: 120 volt AC, 60 hertz, 1-phase, 15 amp wiring required. NEMA 5-15P plug

Gas Requirements: Natural or Liquid Propane (L.P.)

Supply Line size: Minimum 1/2" N.P.T. (max. length 10 ft.)

Supply Pressure: L.P.: 11.0" W.C. min. - 13.0" W.C. max.

Natural: 4.5" W.C. min. - 10.0" W.C. max.

Burner: 150,000 BTU , Electronic Pilot Gas Burner (Must specify Natural or L.P. gas configuration @ order).

Firebox: 1/4" H.R. steel. Uses charcoal or wood logs: 1-3 logs, 4-6" diameter, 12-14" long.

Food Racks: Rotisserie with four (4) hangers, each with three (3) 18" x 42" food racks (12 total). 63 Sq. Ft. of cooking surface, 4-1/2" spacing between food racks.

Air Circulation: Low Velocity Convection Fan.

Temperature Range: 140-325 degrees F.

Shipping Weight: 2,530 lbs. (approximate)

Approvals: ETL-US & Canada, ETL-Sanitation

Venting: VSP Hood ready and Smoke Extractor ready.

Minimum Clearance Requirement from Combustible Material

Back.....18" (457mm) Firebox Door Side.....24" (610mm)

Top.....18" (457mm) Service Bay Side.....18" (457mm)

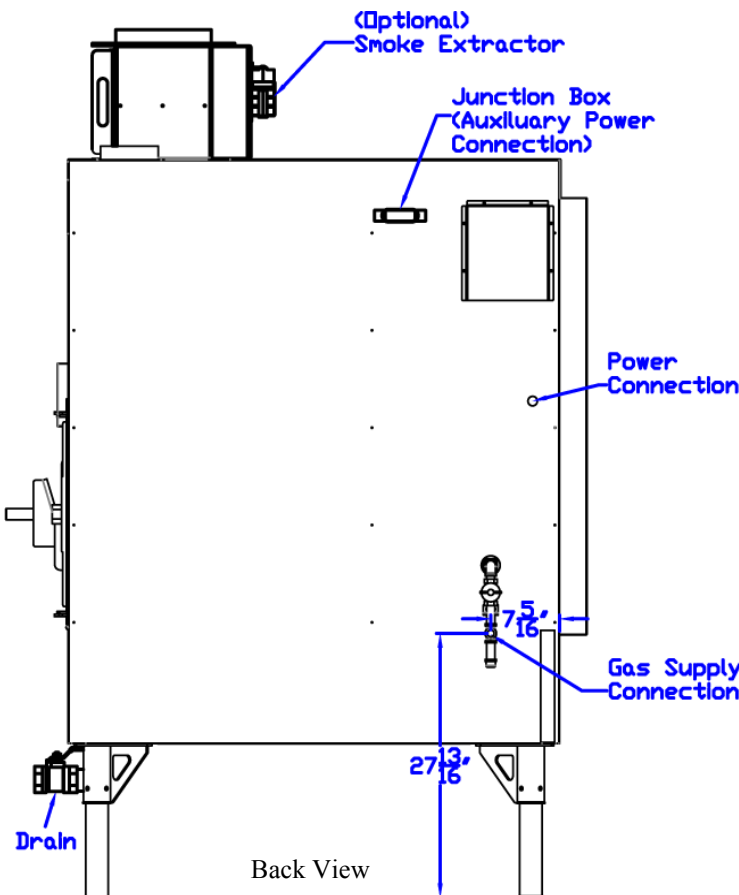
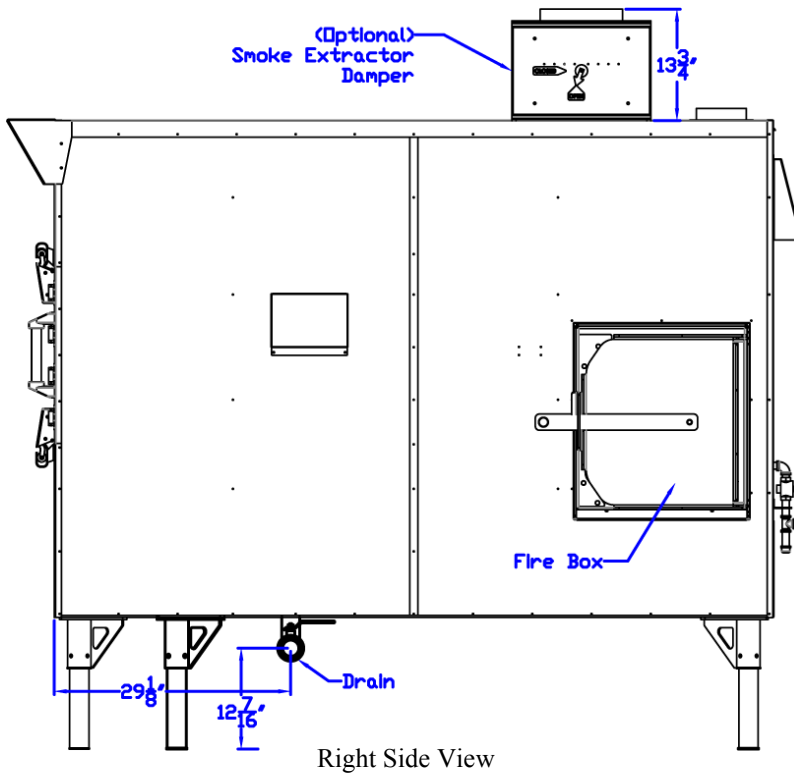
Front.....48" (1219mm)

NOTE: If provision is made for service access, Service Bay Side & Back clearance can be reduced to 2" (51mm).

Southern PRIDE

WOOD BURNING BBQ PITS & SMOKERS

SPECIFICATIONS MODEL: SPK-1000



Standard Features:

- 304 Stainless Steel interior & exterior
- Digital Thermostat Control
- Convection fan access door
- 10" Diameter Convection fan
- Interior Light
- Pneumatic Rotisserie Advance Foot Switch
- Front Flue or Rear Flue

- 2" grease drain
- 2" insulated walls

- Nickel Chrome Plated Food Racks

Optional Features & Accessories:

- Digital Cook & Hold Control
- Smoke Extractor Damper
- Glass Product Display Doors
- Stainless Steel Food Racks
- Working Height Locking Casters
- International Voltage Conversion
- Through the wall insulation kit
- VSP Ventilation Hood System
- Mobile 10' or larger tandem axle decked trailer