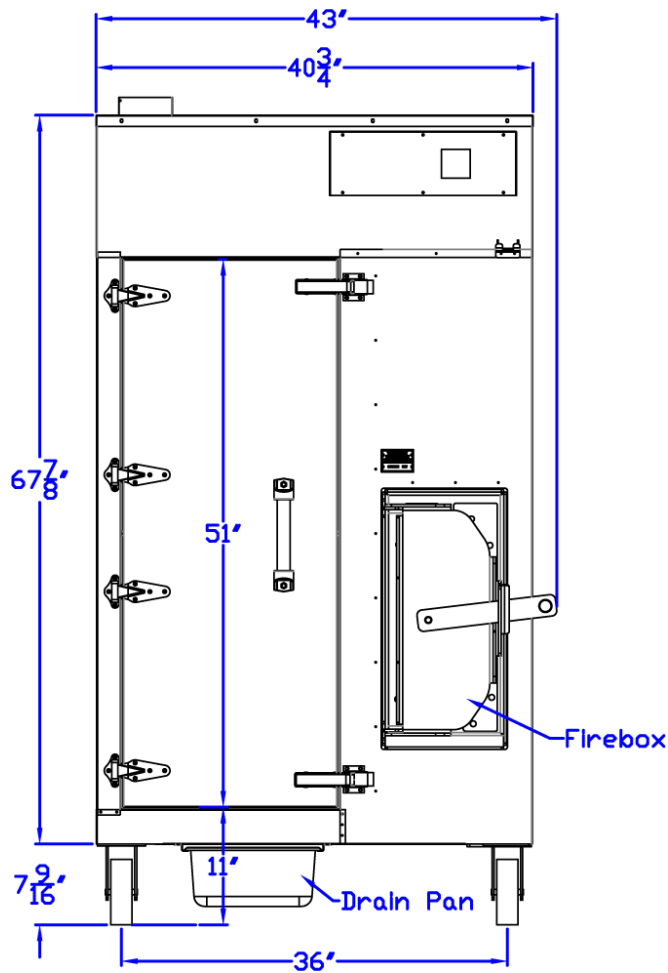


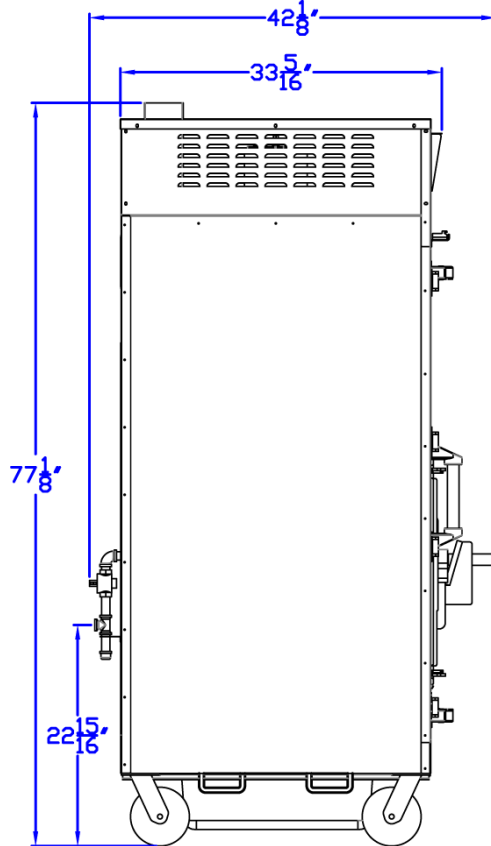
Southern PRIDE SPECIFICATIONS

MODEL: SRG- 400

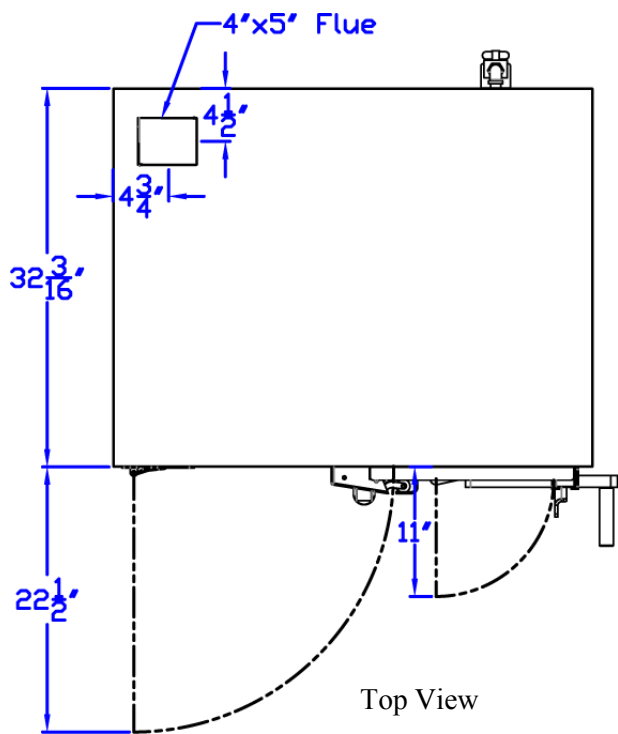
Approximate Cooking Capacities	
(capacities will vary based on physical shape, weight, and method of loading for each product specified.)	
Pork Butts (8-10 lb. each).....	42 pieces (7 racks)
St. Louis Ribs (2.75 lb. each)....	70 pieces(14 racks)
w/Optional Rib Racks	91 pieces (7 racks)
Whole Chicken (3 lb. each).....	72 pieces (9 racks)
Beef Brisket (11-13 lb. each)...	21 pieces (7 racks)
Spare Ribs (3.5 lb. each).....	56 pieces(14 racks)



Front View



Left Side View



Top View

Electrical Requirements: 120 volt AC, 60 hertz, 1-phase, 15 amp wiring required. NEMA 5-15P plug

Gas Requirements: Natural or Liquid Propane (L.P.)
 Supply Line: Minimum 1/2" N.P.T.
 Supply Pressure: L.P.: 11.0" W.C. min. - 13.0" W.C. max.
 Natural: 4.5" W.C. min. - 10.0" W.C. max.

Burner: 65,000 BTU , Electronic Pilot Gas Burner (Must specify Natural or L.P. gas configuration @ order).

Firebox: 10 ga. H.R. steel. Uses charcoal or wood logs: 1-3 logs, 3-5" diameter, 6-12" long.

Food Racks: 18" x 26" Nickel Chrome Flat Racks
 Adjustable Spacing:
 27 Racks@1-1/2" spacing 87.75 Sq.Ft. of cooking surface,
 14 Racks @ 3" spacing 45.5 Sq.Ft. of cooking surface,
 9 Racks @ 4.5" spacing 29.25 Sq.Ft. of cooking surface,
 7 Racks @ 6" spacing 22.75 Sq.Ft. of cooking surface.

Temperature Range: 140-325 degrees F.

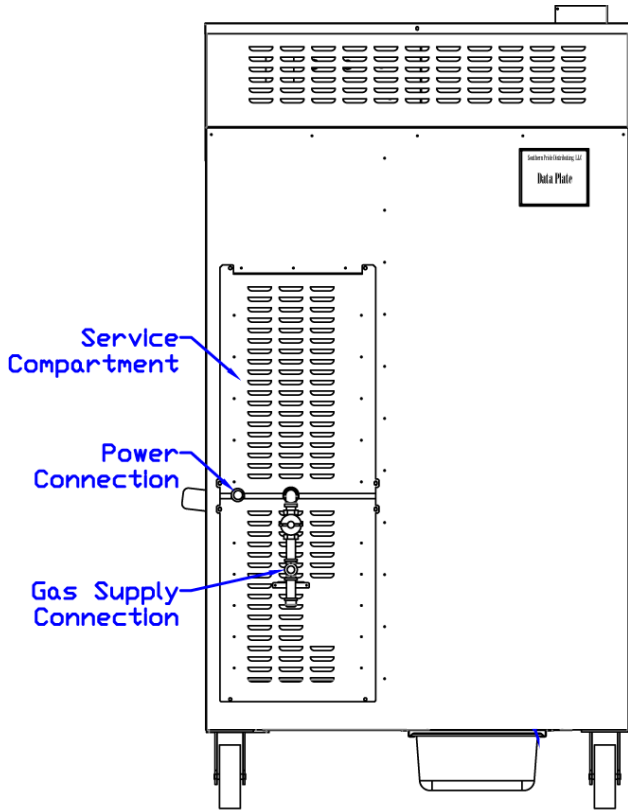
Shipping Weight: 1,005 lbs.

Approvals: ETL-US & Canada, ETL Sanitation

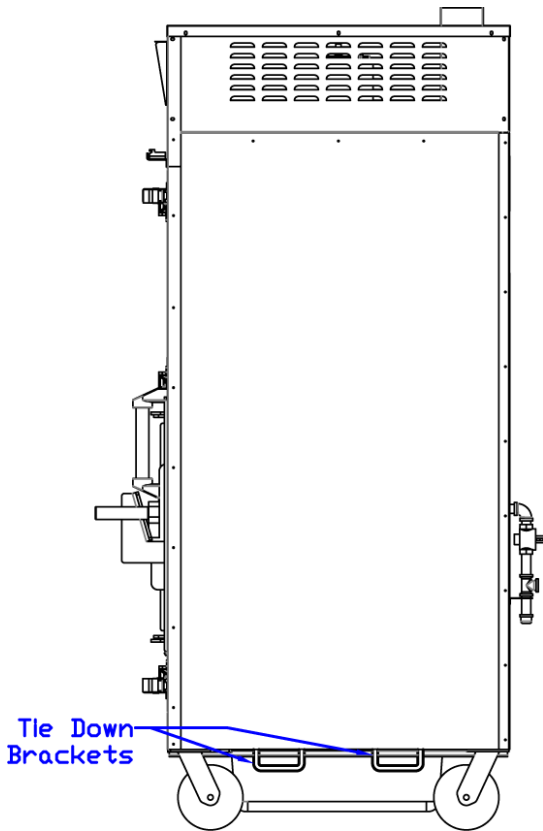
Venting: Type 1 Canopy Hood.



SPECIFICATIONS
MODEL: SRG- 400



Back View



Right Side View



* Shown with Optional Single Glass Product Display Door System

Standard Features:

- 304 Stainless Steel Interior & Exterior
- Single Product Door
- Low Velocity Convection Fan
- Seven (7) Nickel Chrome Flat Racks
(maximum capacity of 27 racks)
- 2" Insulated Wall Construction
- Removable Rack Slides
- Programmable Digital Cook & Hold Control
- 6" Locking Casters

Optional Features & Accessories:

- Single Door Pass-Through System (Rear Door)
- Glass Display Door(s)
- Stainless Steel Vertical Rib Racks
- Additional 18"x 26" Nickel Chrome Flat Racks
- Trailer Mount Legs

Minimum Clearance Requirement from Combustible Material	
Back.....18" (457mm)	Front.....48" (1219mm)
Top.....18" (457mm)	Rt. & Lt. Sides...2" (51mm)
NOTE: If provision is made for service access, Back Side clearance can be reduced to 2" (51mm).	