

# Southern PRIDE

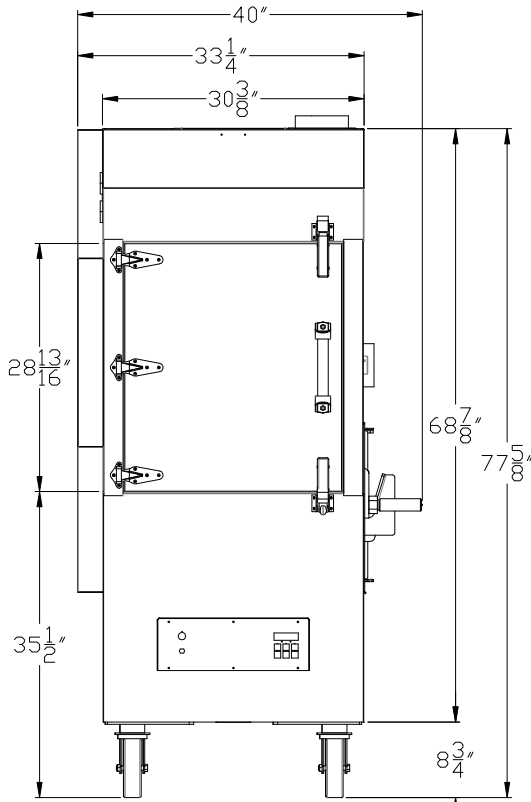
WOOD BURNING BBQ PITS & SMOKERS

## SPECIFICATIONS MODEL: MLR- 850

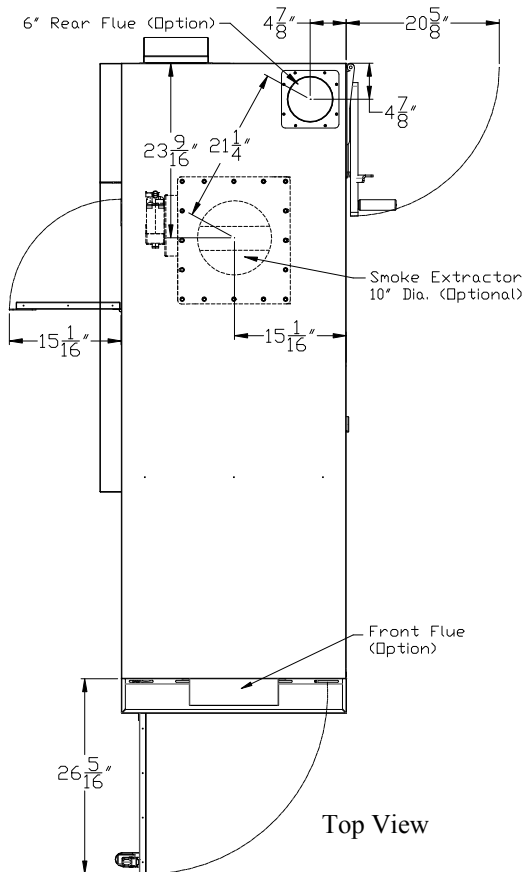
### Approximate Cooking Capacities

(capacities will vary based on physical shape, weight, and method of loading for each product specified.)

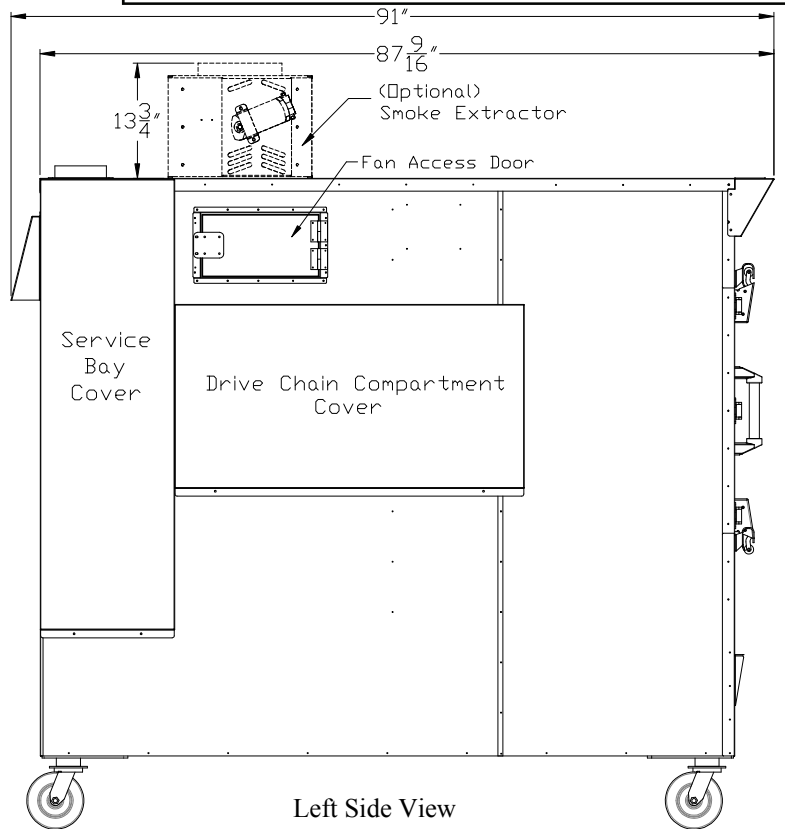
Pork Butts (9-10 lb. each)	108 pieces
St. Louis Ribs (2.75 lb. each)	80 pieces
Whole Chicken (3-4 lb. each)	108 pieces
Beef Brisket (11-13 lb. each)	36 pieces
Chicken Wings	250 pounds



Front View



Top View



Left Side View

**Electrical Requirements:** 120 volt AC, 60 hertz, 1-phase, 15 amp wiring required. NEMA 5-15P plug

**Gas Requirements: Natural or Liquid Propane (L.P.)**  
 Supply Line size: Minimum 1/2" N.P.T.  
 (longer than 10 ft. requires larger diameter)  
 Supply Pressure: L.P.: 11.0" W.C. min. - 13.0" W.C. max.  
 Natural: 4.5" W.C. min. - 10.0" W.C. max.

**Burner:** 125,000 BTU , Electronic Pilot Gas Burner (Must specify Natural or L.P. gas configuration @ order).

**Firebox:** Large capacity 10 ga. H.R. steel. Uses charcoal or wood logs: 2-3 logs, 4-6" diameter, 12-14" long.

**Food Racks:** Rotisserie with four (4) hangers, each with five (5) 18" x 22" food racks (20 total). 55 Sq.Ft. of cooking surface, 3-1/2" spacing between food racks.

**Air Circulation:** Low Velocity Convection Fan.

**Temperature Range:** 140-325 degrees F.

**Shipping Weight:** 1,650 lbs.

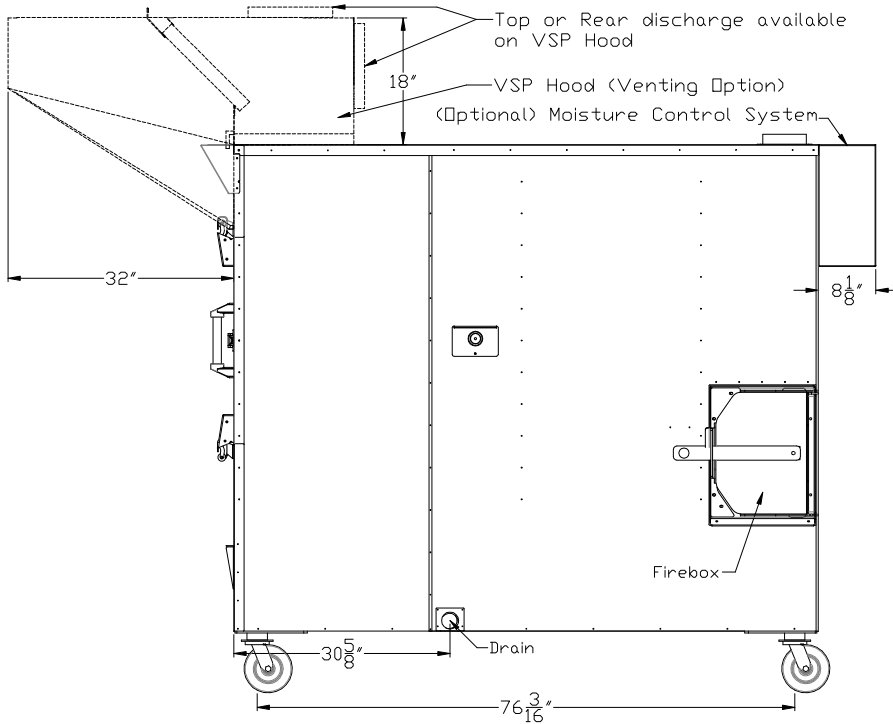
**Approvals:** ETL-US & Canada, ETL Sanitation

**Venting:** VSP Hood ready and Smoke Extractor ready.

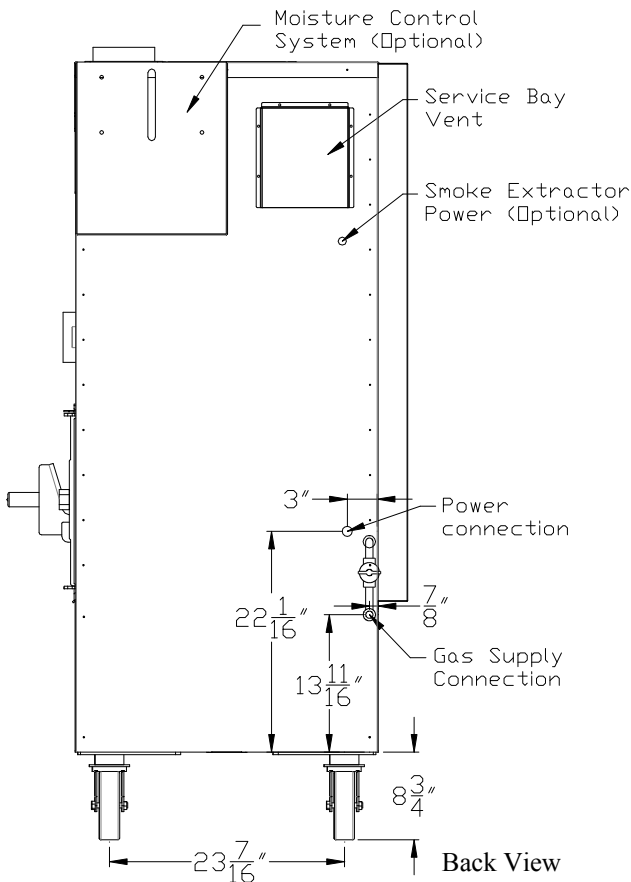
# Southern PRIDE

WOOD BURNING BBQ PITS & SMOKERS

## SPECIFICATIONS MODEL: MLR- 850



Right Side View



Back View



### Standard Features:

- 304 Stainless Steel interior & exterior
- Convection fan access door
- 10" Diameter Convection fan
- Interior Light
- Pneumatic Rotisserie Advance Foot Switch
- Front Flue or Rear Flue
- 2" grease drain
- 1-1/2" insulated walls

### Optional Features & Accessories:

- Digital Cook & Hold Control
- Smoke Extractor
- Glass Product Display Door
- Mirror Image (Firebox on Left side, Product Door hinge on Right side)
- Through the wall insulation kit
- Euro voltage conversion
- VSP Ventilation Hood System
- Competition Gas Cut-off
- Moisture System