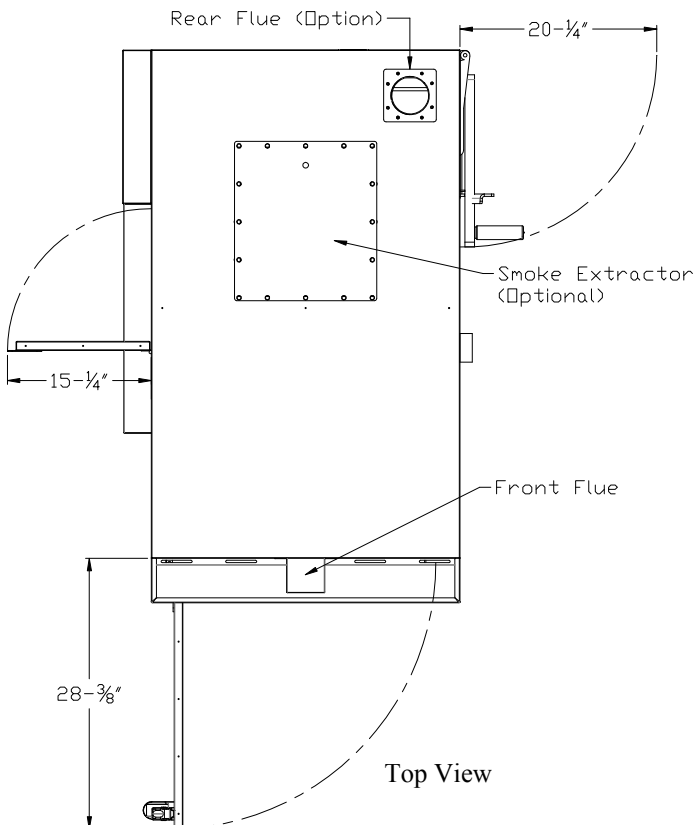
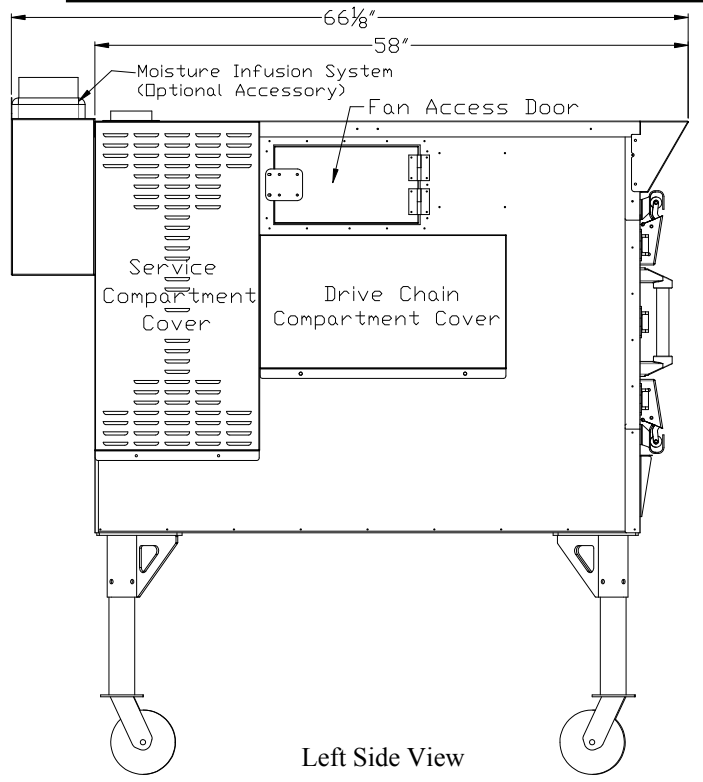
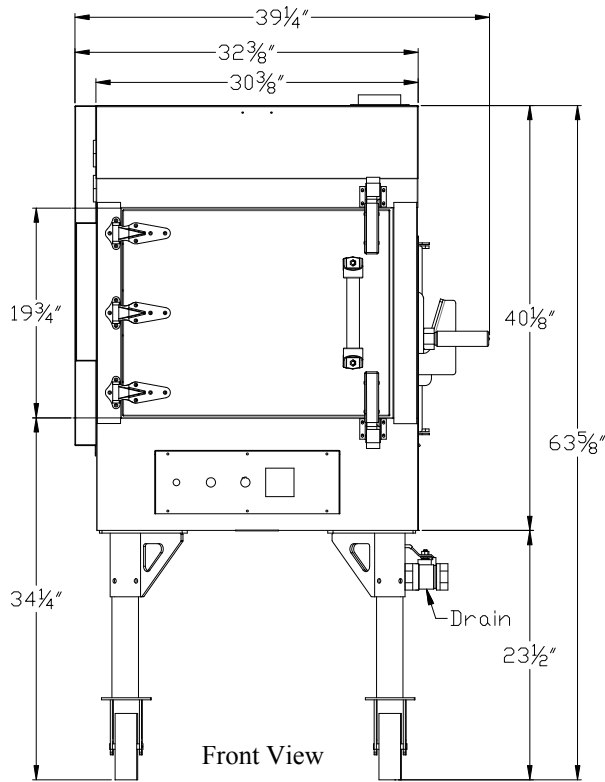


**SPECIFICATIONS  
MODEL: MLR- 150**

<b>Approximate Cooking Capacities</b>	
(capacities will vary based on physical shape, weight, and method of loading for each product specified.)	
Pork Butts (7-8 lb. each).....	24 pieces
St. Louis Ribs (2.75 lb. each).....	24 pieces
Whole Chicken (3-4 lb. each).....	48 pieces
Beef Brisket (11-13 lb. each).....	8 pieces
Chicken Wings .....	80 pounds



**Electrical Requirements:** 120 volt AC, 60 hertz, 1-phase, 15 amp wiring required. NEMA 5-15P plug

**Gas Requirements: Natural or Liquid Propane (L.P.)**  
 Supply Line: Minimum 1/2" N.P.T.  
 Supply Pressure:L.P.: 11.0" W.C. min. - 13.0" W.C. max.  
 Natural: 4.5" W.C. min. - 10.0" W.C. max.

**Burner:** 65,000 BTU , Electronic Pilot Gas Burner (Must specify Natural or L.P. gas configuration @ order).

**Firebox:** Large capacity 10 ga. H.R. steel. Uses charcoal or wood logs: 2-3 logs, 4-6" diameter, 12-16" long.

**Food Racks:** Rotisserie with four (4) hangers, each with three (3) 10" x 22" food racks (12 total). 18 Sq.Ft. of cooking surface, 2-1/2" spacing between food racks.

**Air Circulation:** Low Velocity Convection Fan.

**Temperature Range:** 100-325 degrees F.

**Shipping Weight:** 700 lbs.

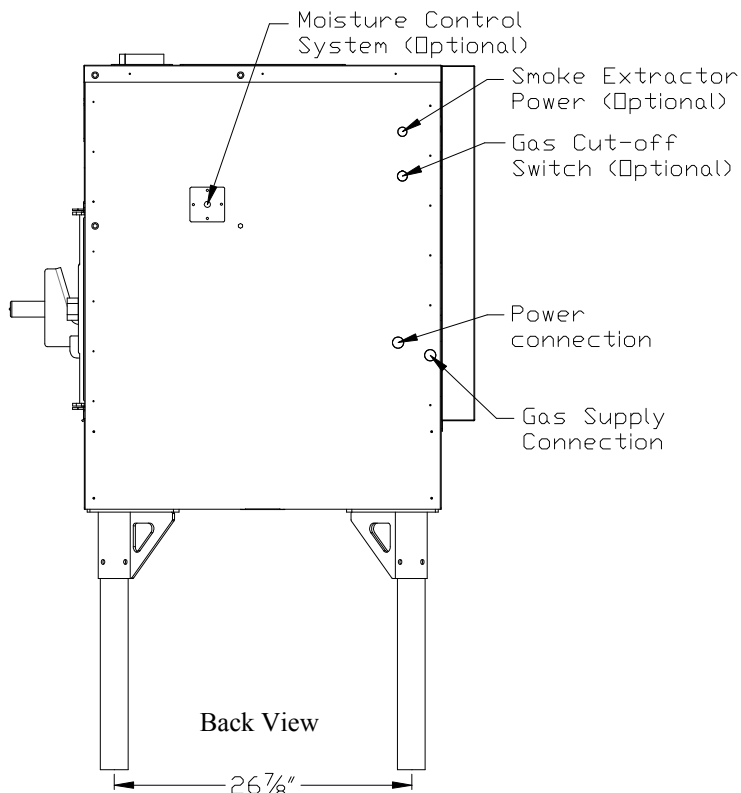
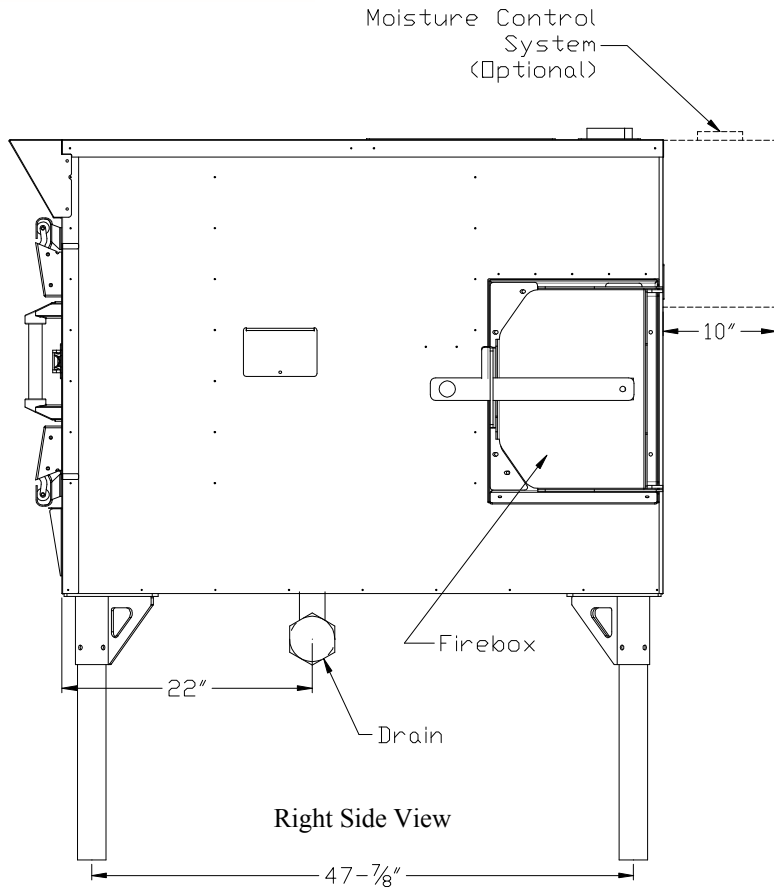
**Approvals:** ETL, 2012

**Venting:** VSP Hood ready and Smoke Extractor ready.

# Southern PRIDE

WOOD BURNING BBQ PITS & SMOKERS

## SPECIFICATIONS MODEL: MLR- 150



### Standard Features:

- 304 Stainless Steel interior & exterior
- Convection fan access door
- 8" Diameter Convection fan
- Front Flue
- 2" grease drain
- 23.5" Formed Working Height Legs on Casters
- 1-1/2" insulated walls
- Poultry Spit Rotisserie Wheel System includes a total of 12 spits

### Optional Features & Accessories:

- Digital Cook & Hold Control
- Smoke Extractor
- Through the wall installation kit
- Rear Flue Vent
- Euro voltage conversion
- VSP Ventilation Hood System
- Competition Gas Cut-off
- Moisture System
- Mobile Rail Trailer
- 4-wheel mobile steerable cart