



Model: SPK-1400

Gas-Fired Wood-Burning Rotisserie BBQ Smoker

Approximate Smoker Capacities

(Capacities will vary based on physical shape, weight, and method of loading for each product specified.)

Pork Butts (8-10 lbs)(3.6 - 4.5 kg) each.....108 pieces

St. Louis Ribs (2.75 lbs)(1.2 kg) each.....120 pieces

Whole Chicken (3-4 lbs)(1.4 - 1.8 kg) each..126 pieces

Beef Brisket (12-15 lbs)(5.4 - 6.8 kg) each.....36 pieces



(6) 5-tier, 3 1/2" (89mm) spacing, hanger assemblies
105 ft² (9.75 m²) cooking surface



Standard Features:

- Stainless steel construction; exterior and interior.
- Adjustable 8" (203mm) tall steel pipe legs.
- Front or rear flue configuration.
- Low velocity convection fan with 12" (305 mm) fan blade (spare blade included).
- Control with a digital cook and hold thermostat ((140° to 325°F)(60° to 163°C), allows for selection of cook temperature, cook time, and hold temperature), and a pneumatic rotisserie advance foot switch.
- Interior light.
- 2" (51mm) grease drain with ball valve.
- 2" (51mm) insulated walls.
- (30) 12" x 42" (305 x 1067mm) nickel chrome plated product racks (see illustration above).

Optional Features:

- Mirror image (left side - firebox; right side - gear motor, burner and utility connections).
- Glass product display doors and manual light switch.
- (5) 5-tier, 3 1/2" (89mm) spacing hanger assemblies with 25, 18" x 42" (457 x 1067mm) product racks.
- (5) 4-tier, 4 11/16" (119mm) spacing hanger assemblies with 20, 18" x 42" (457 x 1067mm) product racks.
- Stainless steel product racks.
- Smoke extractor damper (typically utilized in through the wall direct venting applications).
- Working height locking casters / delivery casters
- Additional optional accessories are available.

Southern Pride Distributing, LLC
401 S Mill St
Alamo, TN 38001
Phone: 731.696.3175
Fax: 731.696.3180
www.southernpride.com

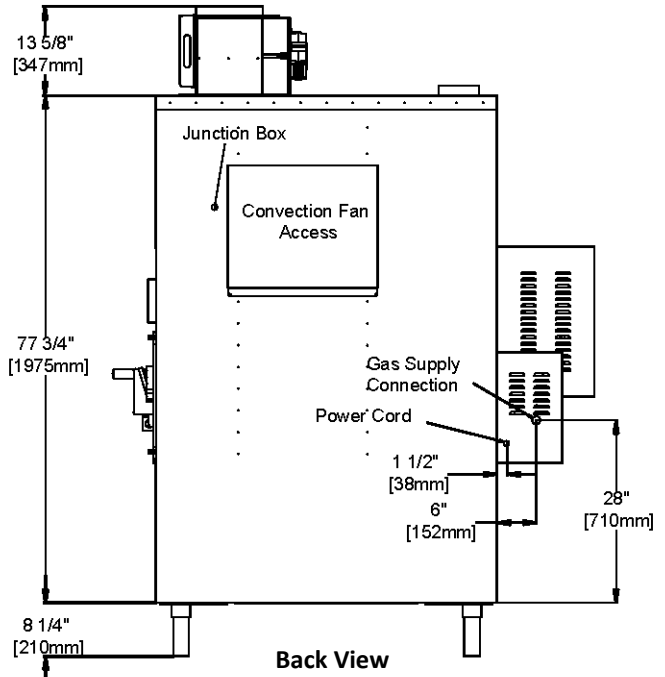
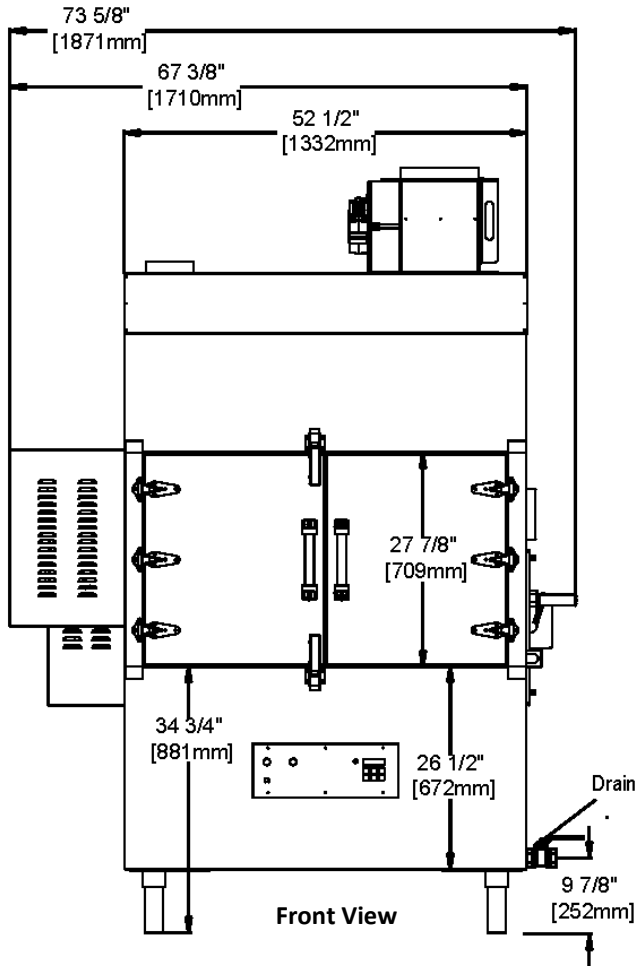
REVISED: January 2016

An ongoing program of product improvement may require us to change specifications without notice.

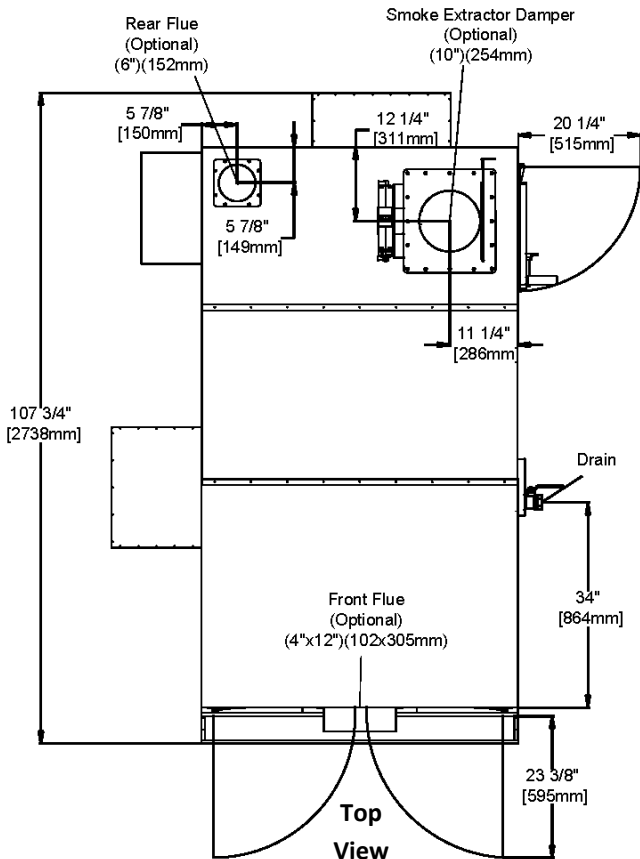
© 2015 Southern Pride Distributing, LLC

Model: SPK-1400

Gas-Fired Wood-Burning Rotisserie BBQ Smoker



Standard leg locations (center to center) -
44 5/8"W x 82 1/8"D (1133 x 2086mm)



REQUIREMENTS

GAS

1/2 inch gas inlet (NPT)

150,000 BTU (44 KW) - Natural (NG)

Supply line pressure - 4.5" W.C. min - 10.0" W.C. max (11.2 - 26.5 mbar)

OR

150,000 BTU (44 KW) - Propane (LP)

Supply line pressure - 11.0" W.C. min - 13.0" W.C. max (27.4 - 32.4 mbar)

ELECTRICAL

230 volt AC, 50 hertz, 1-phase, 15 amp wiring required,
power cord not included

VENTILATION

The smoker must be vented in accordance with the Owner's Manual and the installation must comply with all relevant local and national codes and in a manner acceptable to the authority having jurisdiction.

SHIPPING - 2,400 lbs (1089 kg)

Minimum Clearance Requirements from Combustible Material

Back.....20" (508 mm)	Firebox door side.....24" (610mm)
Top.....18" (457mm)	Gear motor side.....18" (457mm)
Front.....48" (1219mm)	

NOTE: If provision is made for service access, gear motor side and back clearance can be reduced to 2" (51mm).