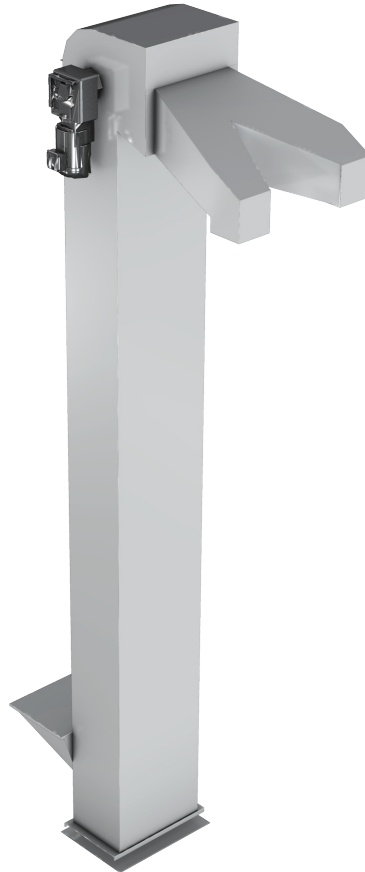


VERTICAL ELEVATOR



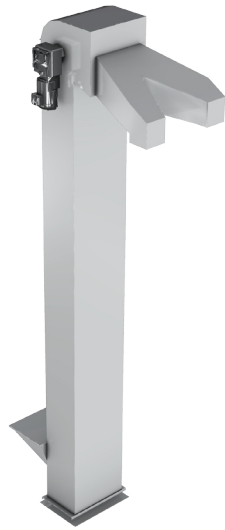
The Rosenqvists Vertical Elevator provides a very space-efficient solution for elevating potatoes.

The potatoes are collected in a buffer hopper. Specially designed plastic belts with integrated lifters elevate the potatoes to the desired height. A chute arrangement designed for the next machine will ensure that potatoes are evenly fed forward.

The Vertical Elevator belt speed can be adjusted to control the feeding rate to the next processing stage.

Larger buffer hoppers can be supplied (optional).

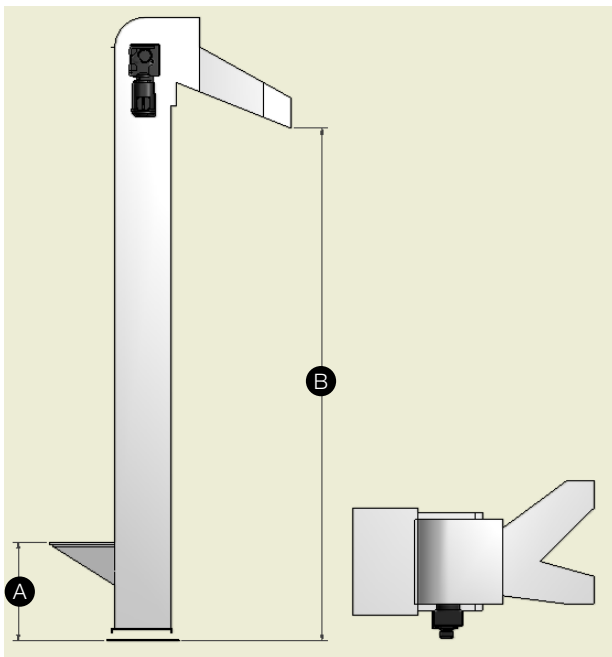




VERTICAL ELEVATOR

- Small floor area requirement
- Accurate product feeding

For further information, please contact us!



Model	Belt Width	Infeed Height=A	Outfeed Height=B	Installed Power
EV 04	400 mm	As required	As required	0.75 kw
EV 06	600 mm	As required	As required	0.75 kw



Rosenqvists Food Technologies • Gringelstadsvägen 360
SE 291 97 Gårds Köpinge • Sweden • T: +46 44 590 58 00

WWW.ROSENQVISTS.COM