

ROLLER INSPECTION TABLE



The need for manual inspection of the peeled potatoes varies depending on the season and quality of the incoming potatoes.

The Rosenqvists Roller Inspection Table has specially designed aluminum rollers. This ensures that the potatoes turn and expose the entire surface to the staff at the inspection table. The speed of the rollers can be easily adjusted.

The inspection table can be fitted with separate waste/trimming belts on each side (optional). The cut trimmings are collected in a container.

The roller inspection table can also be supplied with individual cutting plates for each inspector (optional). Please contact Rosenqvists for more information.

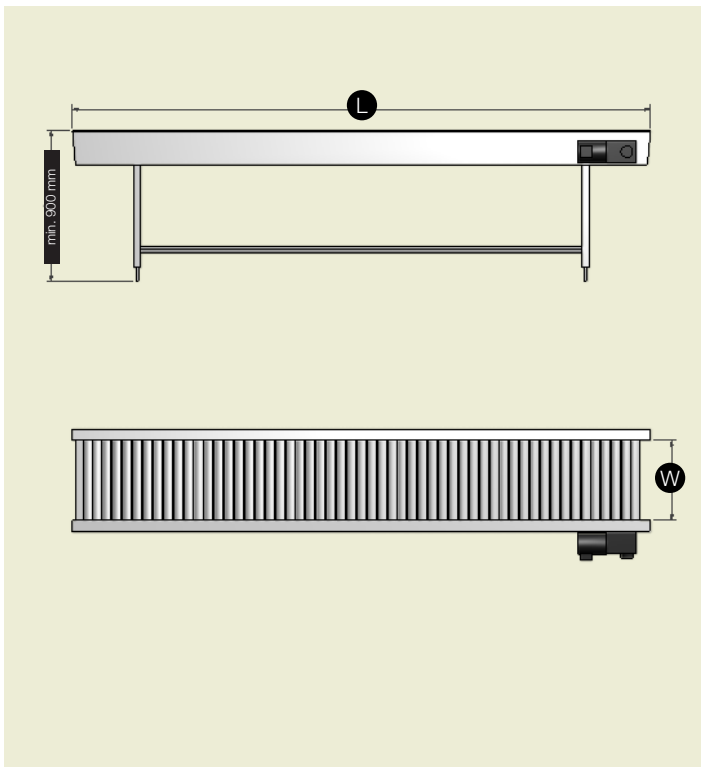




ROLLER INSPECTION TABLE

- Specially deigned rollers ensures that all sides of the potatoes are visible
- Hygienic design

For further information, please contact us!



Model	Length L	Width W	Installed Power
ITR 0630	3000 mm	600 mm	0.75 kw
ITR 0830	3000 mm	800 mm	0.75 kw
ITR 1030	3000 mm	1000 mm	0.75 kw
ITR 0640	4000 mm	600 mm	0.75 kw
ITR 0840	4000 mm	800 mm	0.75 kw
ITR 1040	4000 mm	1000 mm	0.75 kw
ITR 0650	5000 mm	600 mm	0.75 kw
ITR 0850	5000 mm	800 mm	0.75 kw
ITR 1050	5000 mm	1000 mm	0.75 kw
ITR 0660	6000 mm	600 mm	0.75 kw
ITR 0860	6000 mm	800 mm	0.75 kw
ITR 1060	6000 mm	1000 mm	0.75 kw
ITR 1260	6000 mm	1200 mm	0.75 kw



Rosenqvists Food Technologies • Gringelstadsvägen 360
SE 291 97 Gårds Köpinge • Sweden • T: +46 44 590 58 00

WWW.ROSENQVISTS.COM