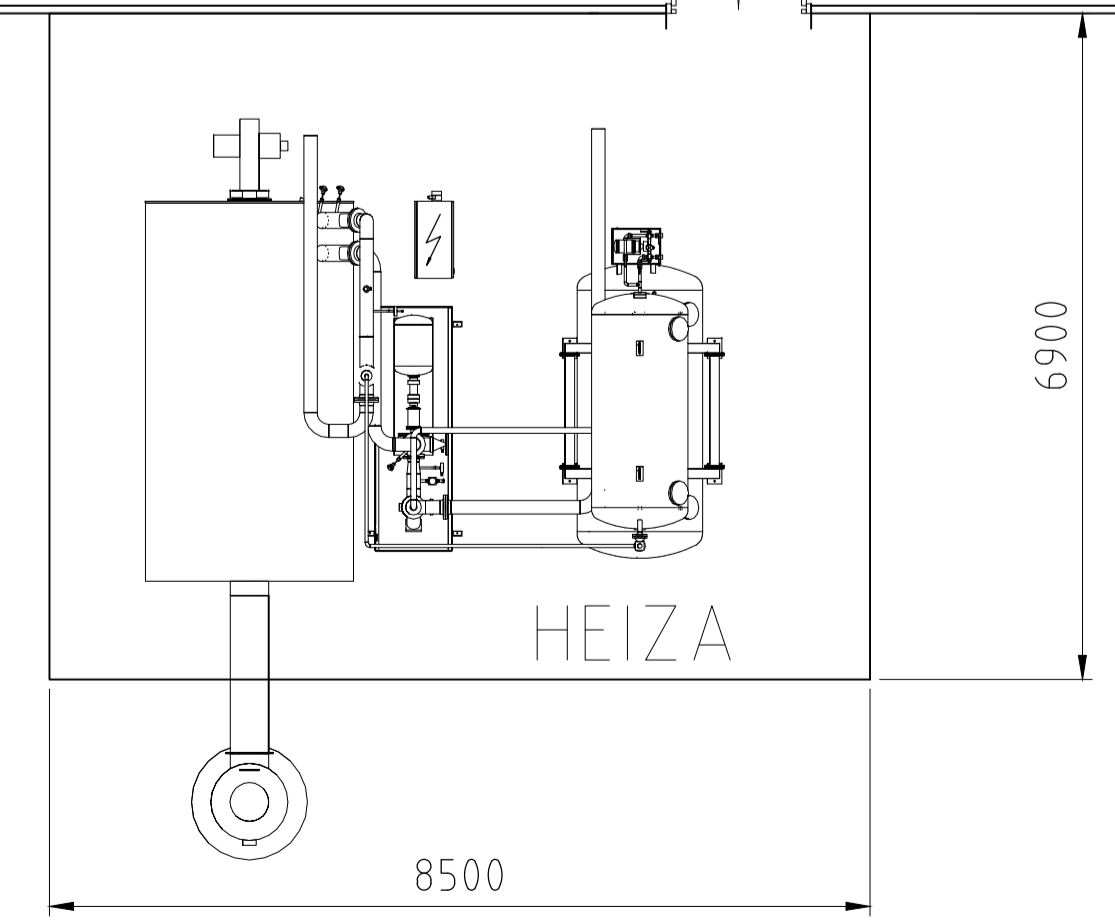
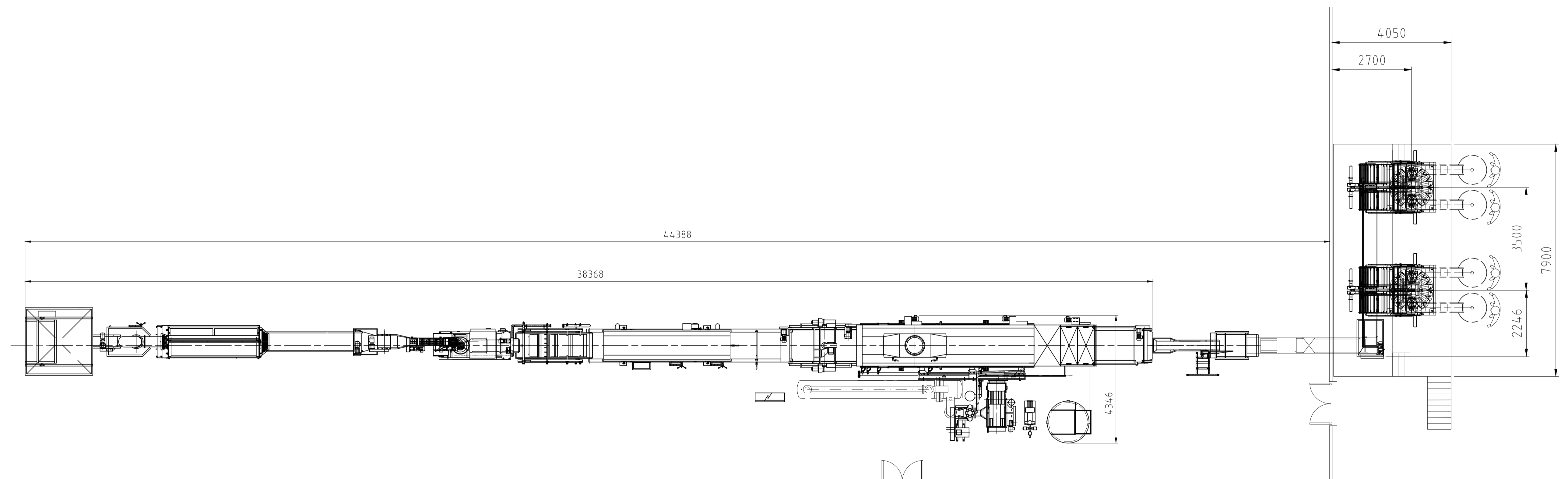
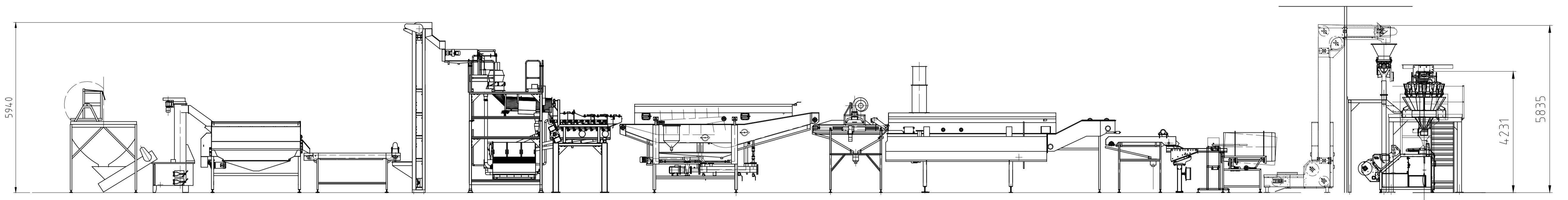


PROCESS AREA

SEASONING AREA

PACKING AREA



THERMAL OIL HEATING UNIT

Change note	Date	Appr.
REVISION		

Drawn by: moni	Chips Line 500 kg/h	Scale: 1:75	Sheet: /
Checked by: <i>Rosengarten</i>	Distribution, Seasoning, Packing	Date: 2015-03-19	Rev: A
	Standard		F-1060270