

CYCLONE DESTONER WITH PREWASHER



Before potatoes are processed, they should be pre washed and stones should be removed. Stones are removed because they can quickly damage your cutting equipment. Unwashed potatoes will admit sand into your machinery damaging bearings, gaskets and other components. Damage to these components can reduce machine life and performance.

The potatoes enter the Rosenqvists Cyclone Destoner where water is circulating. Stones sink to the bottom and are collected.

An optional Stone Elevator which automatically conveys removed stones to an external container can be included.

The potatoes are then flumed into the washer drum where they are washed. Adjustable amounts of fresh water are added through a ramp of nozzles inside the drum. The water is continuously circulated from the drum to the cyclone. The water level in the drum is adjusted via an overflow valve.

The pre washer does not have any bearings in contact with water. It is driven using specially designed belt arrangements.



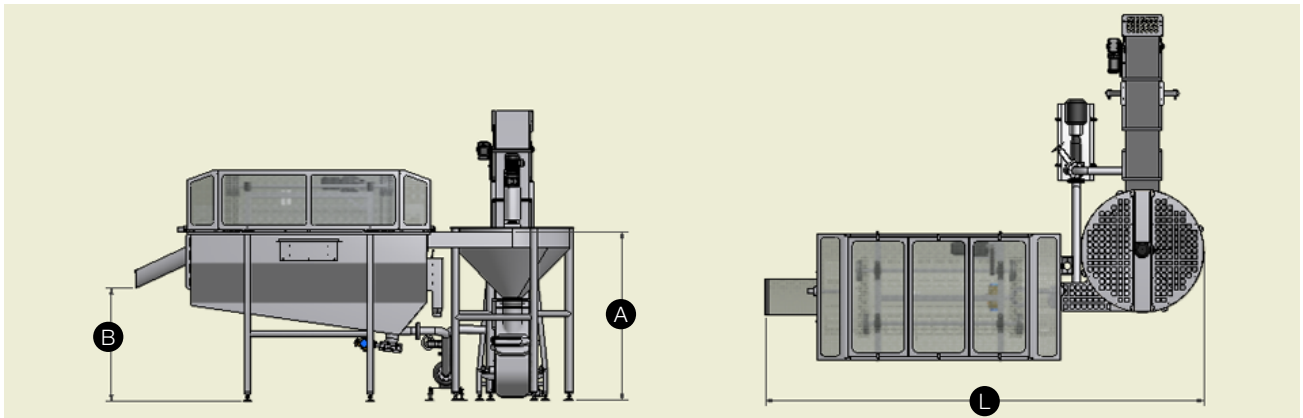
CYCLONE DESTONER WITH PREWASHER



- Effective removal of stones
- Thorough washing of the potatoes
- Minimum usage of water

For further information, please contact us!

Model	Capacity	Length L	Infeed Height A	Outfeed Height B	Cyclone Diameter	Power
WP10 DCB15	8 t	5700 mm	2200 mm	1400 mm	1500 mm	5 kw
WP12 DCB17	14 t	6900 mm	2400 mm	1600 mm	1700 mm	6 kw
WP14 DCB20	25 t	8100 mm	2500 mm	1700 mm	2000 mm	11 kw



Rosenqvists Food Technologies • Gringelstadsvägen 360
SE 291 97 Gärdås Köpinge • Sweden • T: +46 44 590 58 00

WWW.ROSENQVISTS.COM