

VERTICAL SCREW DESTONER / WASHER



Before potatoes are processed, they should be pre washed and stones should be removed. Washing is important before peeling and for inspection purposes. Stones are removed because they will quickly damage your cutting equipment.

The Rosenqvists Vertical Screw Destoner is a cost-efficient unit for ensuring clean potatoes, free of stones, for processing.

Potatoes enter the water tank where stones with their higher density will sink to the bottom. The floating potatoes then enter the vertical screw and are elevated to the next step in the process (normally peeling).

The stones are collected at the bottom of the tank and are easily removed through hinged doors.



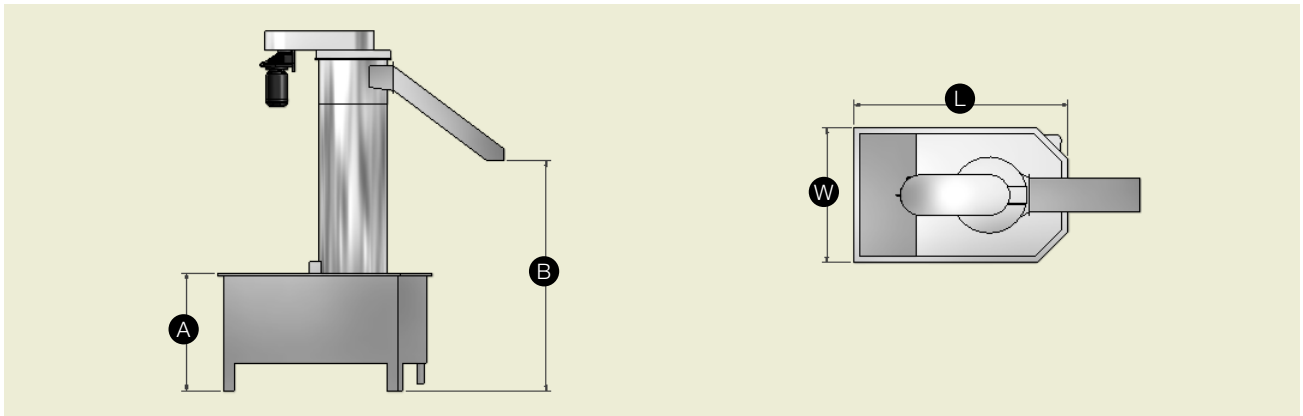


VERTICAL SCREW DESTONER / WASHER

- Effective removal of stones
- Gentle washing before peeling

For further information, please contact us!

Model	Capacity	Screw Diameter	Length L	Width W	Infeed Height=A	Outfeed Height=B	Installed El. Power
DA 04	4 t	400 mm	1500 mm	1000 mm	950 mm	As required	2.2 kw
DA 06	7 t	600 mm	1900 mm	1200 mm	1050 mm	As required	2.2 kw
DA 08	10 t	800 mm	2100 mm	1400 mm	1150 mm	As required	3.0 kw



min. 5360 mm



Rosenqvists Food Technologies • Gringelstadsvägen 360
SE 291 97 Gärds Köpinge • Sweden • T: +46 44 590 58 00

WWW.ROSENQVISTS.COM