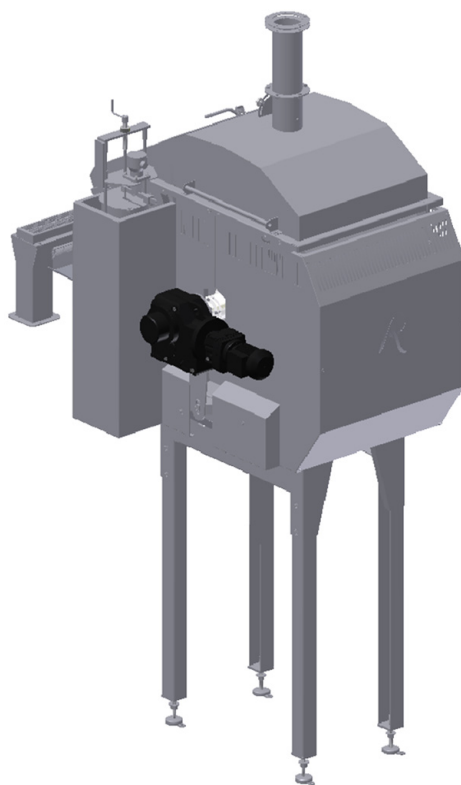


DRUM FILTER



Filtering the vegetable oil is essential for good final product quality and good production economy. The continuous full flow oil filter filters every drop of oil every 30–45 seconds.

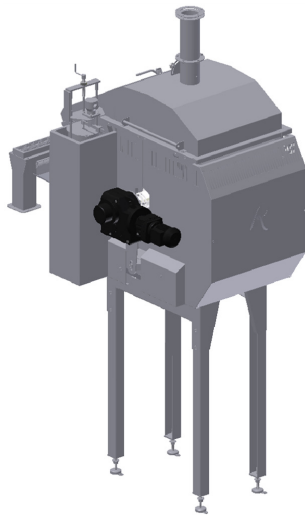
The continuous full flow oil filters the oil through a perforated stainless steel screen. The screen forms a drum; the particles are collected on the outside of the slowly rotating drum. A set of special design stainless steel scrapers transfers the debris and particles to the waste auger.

The design of the drum filter ensures the removal of both floating particles and particles that are collected on the filter screen.

The opening of the filter screen can be made from 800 microns to slot perforated opening of 1, 1 x 14 mm.

To reduce the overall oil volume in the filter, a displacement body is mounted inside the filter.



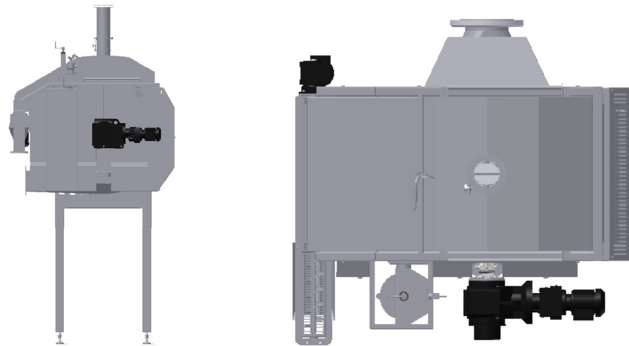


DRUM FILTER

- High capacity filtering of full oil amount
- Effective filtering of both floating and sinking particles
- Low total oil volume

For further information, please contact us!

Model	Capacity	Drum ø	Drum width
FCO 1204	3000 Kg/h	1200 mm	400 mm
FCO 1205	4000 l/min	1200 mm	500 mm
FCO 1206	4500 l/min	1200 mm	600 mm
FCO 1207	5000 l/min	1200 mm	700 mm
FCO 1208	6000 l/min	1200 mm	800 mm
FCO 1209	8000 l/min	1200 mm	900 mm
FCO 1210	9500 l/min	1200 mm	1000 mm



Rosenqvists Food Technologies • Gringelstadsvägen 360
SE 291 97 Gårds Köpinge • Sweden • T: +46 44 590 58 00

WWW.ROSENQVISTS.COM