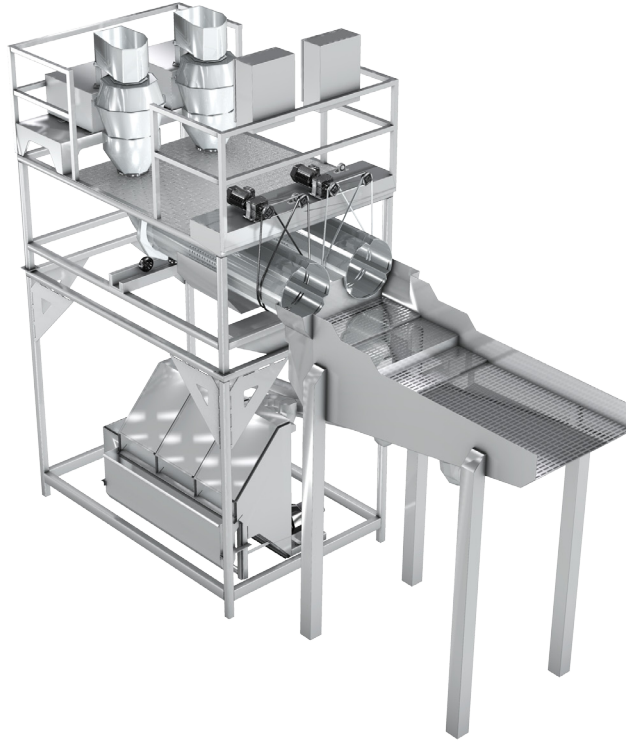


SLICE WASHER



When the potatoes have been sliced, the starch on the slices is washed away. If it is not removed from the slices, starch will be carried forward into the frying stage of the process. There, it can cause build-ups and could potentially block or damage oil outlets, piping or other components.

The Rosenqvists 3-step Counter Flow Slice Washer consists of four main parts:

- The slicers (not included) are integrated into the unit
- One rotating tube per slicer
- Vibratory feeding conveyor
- Debris, foam and starch removal arrangement

The unique Rosenqvists Slice Washer washes every individual slice gently and controlled. The rotating tube is placed beneath the slicer discharge. The slices are gently washed twice inside the rotating tube.

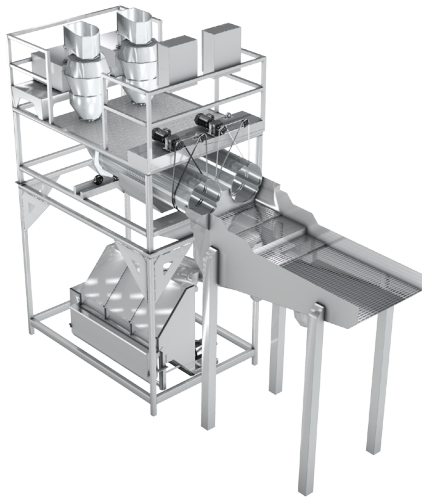
When they move forward into the vibratory shaker, the slices pass a sorting net. The gauge of the net can easily be changed to the size of the material to be removed.

Fresh water enters the system via a discharge spray ramp. The water passes a bow sieve before it enters the second half of the tube. After this second washing step, the water passes a second bow sieve before being pumped to the slicer. The water then washes the slices a third time before passing a third bow sieve. A special cyclone system will further concentrate the amount of free starch in the waste water.

The Rosenqvists 3-step Counter Flow Slice Washer uses a minimum amount of fresh water to effectively remove starch from each slice. We can claim that is as good as, or better, than any other washing system.

Our new design ensures a very high level of hygiene and it is very easy to clean.

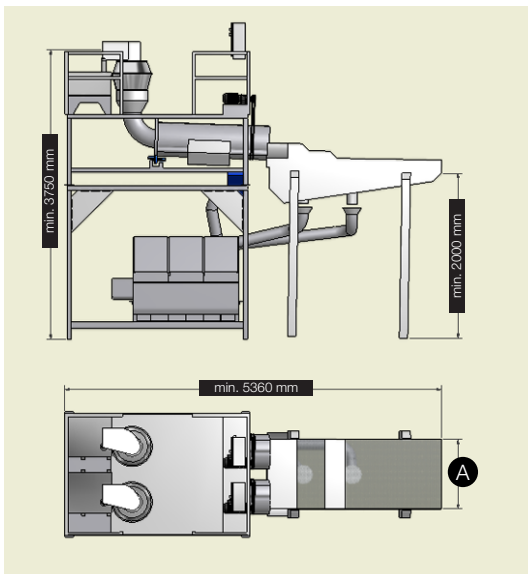




SLICE WASHER

- Cleaner potato slicers
- Minimal water consumption
- No product breakage

For further information, please contact us!



Model	Potato Slice Capacity	Width A	Number of Slicers	Installed Power
WSP 11 03	1200 kg/h	600 mm	1	2.85 kw
WSP 31 03 R	1200 kg/h	600 mm	1	8.35 kw
WSP 11 05	2000 kg/h	800 mm	1	2.85 kw
WSP 32 05 R	2000 kg/h	800 mm	2	8.90 kw
WSP 31 07 R	3000 kg/h	1000 mm	1	8.35 kw
WSP 32 07 R	3000 kg/h	1000 mm	2	8.90 kw
WSP 32 10 R	4000 kg/h	1000 mm	2	8.90 kw
WSP 32 15 R	6000 kg/h	1200 mm	2	8.90 kw
WSP 33 15 R	6000 kg/h	1200 mm	3	9.45 kw
WSP 33 20 R	8000 kg/h	1500 mm	3	10.55 kw
WSP 34 20 R	8000 kg/h	1500 mm	4	11.10 kw
WSP 33 25 R	10000 kg/h	1700 mm	3	10.55 kw
WSP 34 25 R	10000 kg/h	1700 mm	4	11.10 kw



Rosenqvists Food Technologies • Gringelstadsvägen 360
SE 291 97 Gårds Köpinge • Sweden • T: +46 44 590 58 00

WWW.ROSENQVISTS.COM