

# LANDMANN®

## THE HALO FIRE PIT

Model 28240

### ASSEMBLY INSTRUCTIONS



**FOR SAFE OPERATION, PLEASE READ ALL ASSEMBLY AND OPERATING INSTRUCTIONS BEFORE USE.**

REV. 4, 11/21/07



#### READ FIRST! RULES FOR SAFE OPERATION

- THIS OUTDOOR FIRE PIT IS FOR OUTDOOR USE ONLY!
- **A LAYER OF SAND, 1 1/2" TO 2" THICK MUST BE ADDED TO THE BOTTOM OF THE BOWL TO HELP PROTECT AGAINST THE CORROSIVE NATURE OF THE ASHES.**
- USE ONLY ON BRICK, CONCRETE, STONE OR OTHER MASONRY SURFACES.
- DO NOT USE ON LAWNS OR WOODEN DECKS.
- USE NATURAL FIREWOOD BUT NOT OVER 12" LONG IN THIS OUTDOOR FIRE PIT.
- USE LANDMANN EARTH FRIENDLY™ FIREWOOD FOR CLEANER BURNING FIRES WITHOUT THE CHEMICAL SMELL OTHER ARTIFICIAL FIREWOOD MAKES.
- DO NOT USE MORE THAN 2 PIECES OF FIREWOOD AT A TIME.
- KEEP THE OUTDOOR FIRE PIT AWAY FROM BUILDINGS, FLAMMABLE ITEMS AND VEHICLES.
- THE OUTDOOR FIRE PIT IS FOR ADULT USE ONLY.
- DO NOT MOVE THE OUTDOOR FIRE PIT WHILE IT IS BEING USED.
- DO NOT LEAVE UNATTENDED AT ANY TIME WHILE IN USE.
- DO NOT USE IN WINDY CONDITIONS.
- DO NOT OVERLOAD OR USE TO BURN LEAVES OR GARBAGE.
- KEEP THE SPARK SCREEN IN PLACE WHILE USING.
- USE CAUTION WHEN REMOVING THE COVER, AS HOT STEAM OR A FLARE UP COULD CAUSE BURNS.
- BEFORE EACH USE, MAKE SURE THE OUTDOOR FIRE PIT IS IN GOOD WORKING CONDITION.
- USE CAUTION AFTER THE FIRE HAS BEEN EXTINGUISHED- SURFACES WILL REMAIN HOT FOR SOME TIME.
- BE SURE ALL COALS ARE COLD BEFORE EMPTYING. IF NECESSARY POUR WATER ON COALS.



Model 28240

Congratulations on your purchase of the Halo Fire Pit! At Landmann USA, our goal is to provide products that are easy to assemble and fun to use. Should you have questions, issues, a defective part or if you have any questions concerning its use, please contact us at: [customerservice@landmann-usa.com](mailto:customerservice@landmann-usa.com)

-OR-

1-800-321-3473 M-F 8-5 Eastern Time  
Proof of purchase may be required.

Landmann USA  
Cartersville, GA 30120  
[www.landmann-usa.com](http://www.landmann-usa.com)

Made in China  
© 2007 Landmann USA

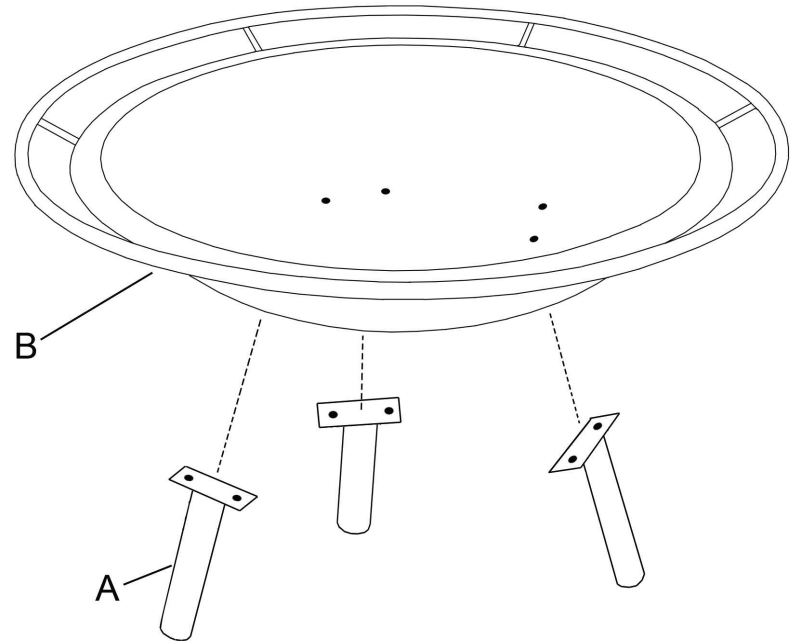
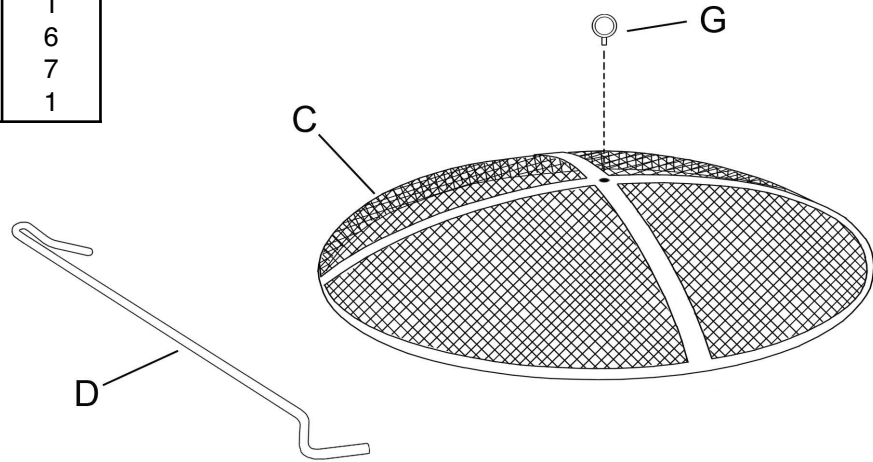
# LANDMANN®

## THE HALO FIRE PIT

Model 28240

### Parts and Quantities:

PART	DESCRIPTION	QTY
A	LEGS	3
B	FIRE BOWL	1
C	SPARK GUARD	1
D	POKER	1
E	15MM BOLT	6
F	M6 NUT	7
G	EYEBOLT	1



### Assembly Instructions:

You will need these tools for assembly:  
Medium phillips or flathead screw driver, pliers  
or small adjustable wrench.

- Step 1 Unpack all parts from the carton.
- Step 2 Align leg (A) holes with holes in fire bowl (B) and attach with six 15MM bolts and M6 nuts. Tighten bolts securely.
- Step 3 Attach the eyebolt (G) to the spark guard (C) with one M6 nut. Tighten securely.
- Step 4 Place the spark guard on the fire bowl.
- Step 5 Enjoy!

### Maintenance:

The Halo Fire Pit may be cleaned with water and mild detergent. Periodic maintenance is required to return painted steel surfaces to original appearance. Remove any rust with sandpaper or steel brush. Repaint with grill paint for high temperature surfaces. Follow paint manufacturer's instructions.

**Do not return product to the store. If you have questions or trouble with assembly, please contact us at: 1-800-321-3473 or at customerservice@landmann-usa.com**

**⚠**  
**DON'T FORGET TO ADD A LAYER OF SAND, 1 1/2" TO 2" THICK (OR ABOUT 5LBS) TO THE BOTTOM OF THE BOWL TO HELP PROTECT AGAINST THE CORROSIVE NATURE OF THE ASHES.**