

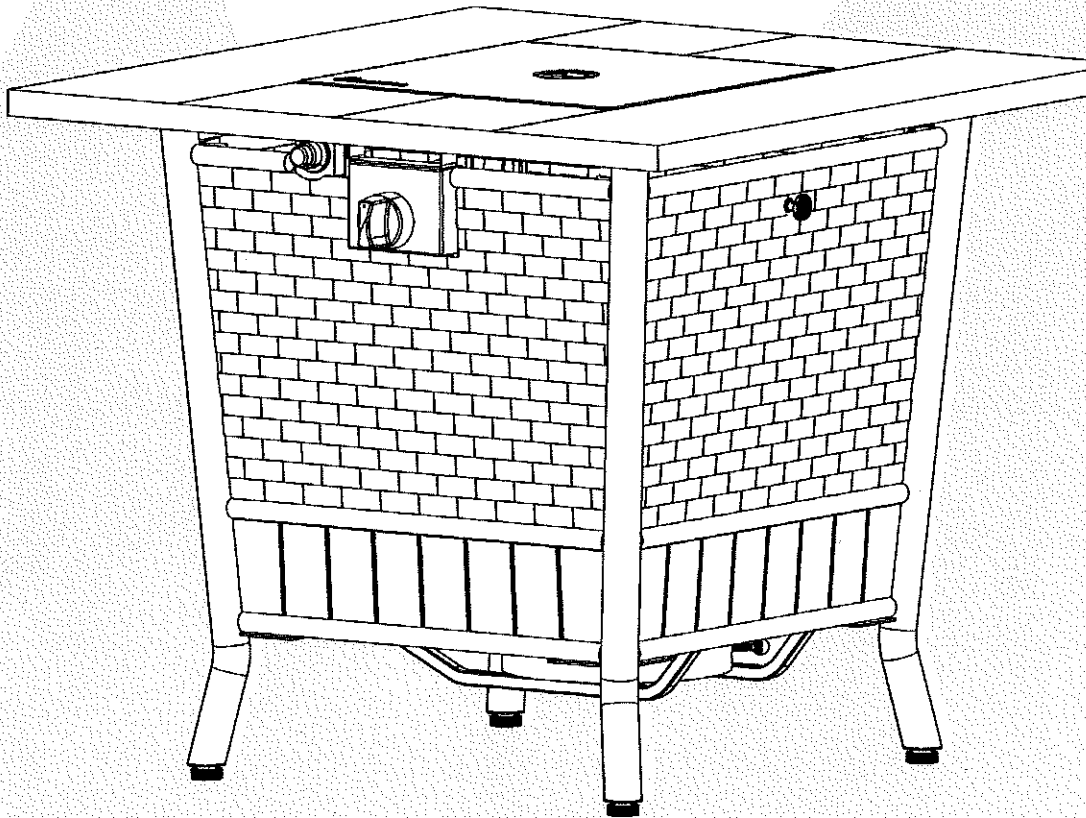


LANDMANN[®]

Ashworth

Assembly and Use Instructions for Model: 22570

VER. 1, 05/02/2017



DANGER

If you smell gas:

1. Shut off gas to the appliance
2. Extinguish any open flame
3. If odor continues, keep away from the appliance and immediately call your gas supplier or fire department.

WARNING

Do not store or use gasoline or other flammable vapors and liquids in the vicinity of this or any other appliance.

An LP-cylinder not connected for use shall not be stored in the vicinity of this or any other appliance.

WARNING

For Outdoor Use Only.

WARNING

Improper installation, adjustment, alteration, service or maintenance can cause injury or property damage. Read the installation, operating and maintenance instructions thoroughly before installing or servicing this equipment.

WARNING

CARBON MONOXIDE HAZARD

THIS APPLIANCE CAN PRODUCE CARBON MONOXIDE WHICH HAS NO ODOR.

USING IT IN AN ENCLOSED SPACE CAN KILL YOU.

NEVER USE THIS APPLIANCE IN AN ENCLOSED SPACE SUCH AS A CAMPER, TENT, CAR OR HOME.

WARNING

This product contains chemicals known to the State of California to cause cancer and birth defects or other reproductive harm.



**PLEASE READ ENTIRE
MANUAL AND NOTE ALL
WARNINGS BEFORE USING.**

**20 lb. Propane Fuel Tank not included.
1 AAA Battery not included.**



Intertek
5005544

Conforms to ANSI STD Z21.97-2014
Certified to CSA STD 2.41-2014
Outdoor decorative Gas Appliance



Please read and understand the entire manual before attempting to assemble and operate this outdoor gas fire table.

WARNING

IMPROPER INSTALLATION, ADJUSTMENT, ALTERATION, SERVICE OR MAINTENANCE CAN CAUSE SERIOUS INJURY OR PROPERTY DAMAGE.

PROPANE TANK FUEL WARNINGS

1. If you see, smell or hear the hiss of escaping gas from the propane cylinder, do as follows:
 - A) Disconnect propane gas cylinder.
 - B) Do not attempt to correct the problem yourself.
 - C) Get your gas supplier and/ or the fire department for help.
2. Use only PROPANE gas. Do not use natural gas. The conversion or attempted use of natural gas in a propane unit is dangerous.
3. This outdoor fire table is for use with a 20 lb. propane fuel cylinder. The propane cylinder must be constructed and marked in accordance with the specifications for Gas Cylinders of the U.S. Department of Transportation (DOT) or the National Standards of Canada, CAN/CSA-B339, cylinders, Spheres and Tubes for Transportation of Dangerous Goods and Commission, as applicable.
4. For use with cylinders marked with PROPANE only. Do not connect to a remote gas supply.
5. The gas pressure regulator provided with the outdoor gas fire table must be used.
6. Do not attempt to disconnect the gas regulator or any gas fitting while the outdoor gas fire table is in operation.
7. A dented or rusty propane cylinder may be hazardous and should be checked by your gas supplier prior to use.
8. Do not use a propane fuel tank with a damaged valve or any other worn out parts.
9. Do not store a spare or disconnected propane fuel tank near this outdoor gas fire table.
10. Propane fuel tanks must be stored outdoors in well ventilated area out of the reach of children. Do not store in a building or any other enclosed area.
11. Do not operate the outdoor gas fire table if there is a gas leak present.
12. Never use a flame to check for gas leaks.
13. If the outdoor gas fire table is stored indoors, the propane fuel tank must be disconnected and stored outdoors.
14. Use care in the transit and storage of empty propane fuel tanks.

GENERAL USE WARNINGS

1. This outdoor gas fire table is for outdoor use only.
2. Use only on brick, concrete, stone or other masonry surfaces.
3. Do not use on lawns, wooden decks, artificial wood decks or asphalt.
4. Keep the outdoor gas fire table a minimum of 60 inches away from buildings, structures, any flammable items and vehicles.
5. Never use under low hanging tree branches, trellis, overhangs of any kind including covered porches.
6. Never use gasoline, alcohol or volatile fluids to start or restart fires.
7. Do not store gasoline, alcohol or volatile fluids in the vicinity of the fire table.
8. Never use charcoal or any other solid fuel in this fire table.
9. The outdoor gas fire table is for adult use only.
10. Never allow children to use the outdoor gas fire table. Children and pets must be closely supervised when they are anywhere near the fire table.
11. Do not leave unattended at any time while in use.
12. Do not move the outdoor gas fire table when in use.
13. Use caution as surfaces will become very hot while in use.
14. Before each use, make sure the outdoor gas fire table is in good working condition.
15. Do not use the outdoor gas fire table unless all parts are in place.
16. Do not use on vehicles or boats.
17. Do not use in windy conditions.
18. If the fire goes out during use, turn the knob on the propane fuel tank to close. Wait five minutes before attempting to relight.
19. Do not adjust the rock when a fire is present in the outdoor gas fire table. Make all adjustments prior to starting the fire.
20. Users should be aware of the hazards of fire and its high temperatures. Keep a safe distance to avoid burning or clothing ignition.
21. Do not store anything in the base, under or below the outdoor gas fire table during use.
22. Do not use this outdoor gas fire table for cooking.
23. Do not use any other burning materials than supplied with the outdoor gas fire table.
24. Never pour water into the outdoor gas fire table.
25. Do not use if any part has been under water.
26. Never place clothing or other flammable materials on the outdoor gas fire table top or any other part of the fire table.
27. Do not lean over the outdoor gas fire table during use.
28. For proper ventilation, the openings in the base must be kept free and clear.
29. Do not rest feet on the outdoor gas fire table.
30. Do not allow the outdoor gas fire table to freeze if it has been exposed to moisture.
31. Any guard or other protective device removed for servicing must be replaced prior to operating the outdoor gas fire table.
32. Installation and repair should be done by a qualified service person. The outdoor gas fire table should be inspected before use and at least annually by a qualified service person.
33. Use caution after the fire has been extinguished, surfaces will remain hot for some time.
34. The outdoor gas fire table must be completely cooled off before any cover can be used.
35. Cover must be removed when in operation.
36. CAUTION: Carefully handle the glass rock as there could be glass chips or shards they can be very sharp.
37. DANGER: Keep children away from the glass rocks. Keep fire pit cover in place when not in use. Do not allow children to play with the glass rocks as they can be a choking hazard.

HARDWARE



AA



BB



CC



DD



EE



GG

Item	Description	Qty
AA	M6 x 10 Bolt	20
BB	M6 Nut	4
CC	M4 x 8 Bolt	1
DD	Washer	1
EE	Door Knob	1
GG	M6 x 20 Bolt	4

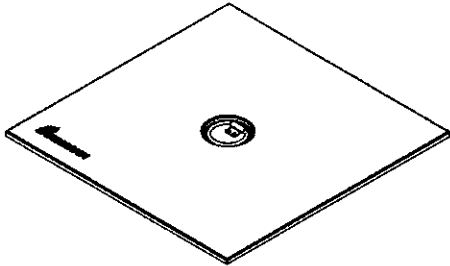
Before beginning assembly of this product be sure all parts are present. Compare parts with package contents list and hardware contents list. If any part appears to be missing or damaged do not begin assembly of this product and call customer service.

Estimated assembly time: 30 minutes

Tools required for assembly (not included): Phillips Screwdriver

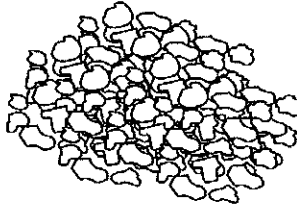
PART LISTING

When unpacking the fire pit from the carton, make sure you find and become familiar with all the parts listed below. Use caution as some parts may have sharp edges.



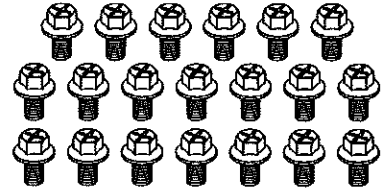
A

(1) FIRE PIT COVER



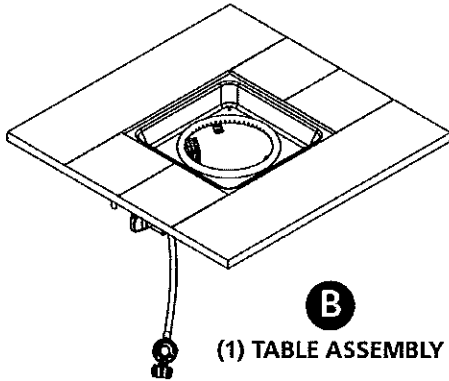
J

(1 BOX) BLACK GLASS ROCK



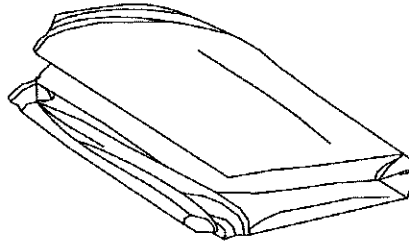
AA

(20) M6 x 10 BOLT



B

(1) TABLE ASSEMBLY



K

(1) WEATHER COVER



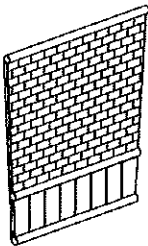
BB

(4) M6 NUT



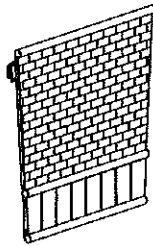
CC

(1) M4 x 8 BOLT



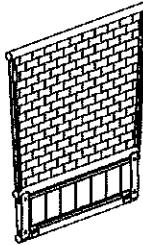
E

(1) SIDE PANEL



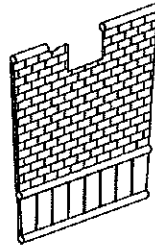
F

(1) BACK PANEL
(WITH DOOR MAGNET)



C

(1) DOOR PANEL



D

(1) FRONT PANEL



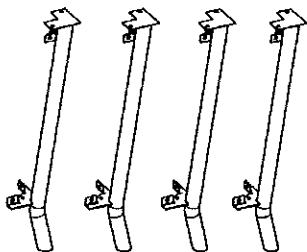
DD

(1) WASHER

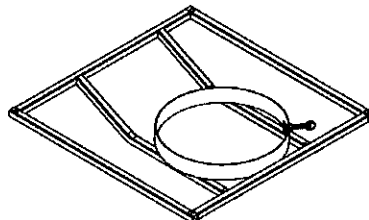


EE

(1) DOOR KNOB



G



H

(1) BASE STRUCTURE



GG

(4) M6 x 20 BOLT

**ASHWORTH FIRE TABLE
ASSEMBLY INSTRUCTIONS**

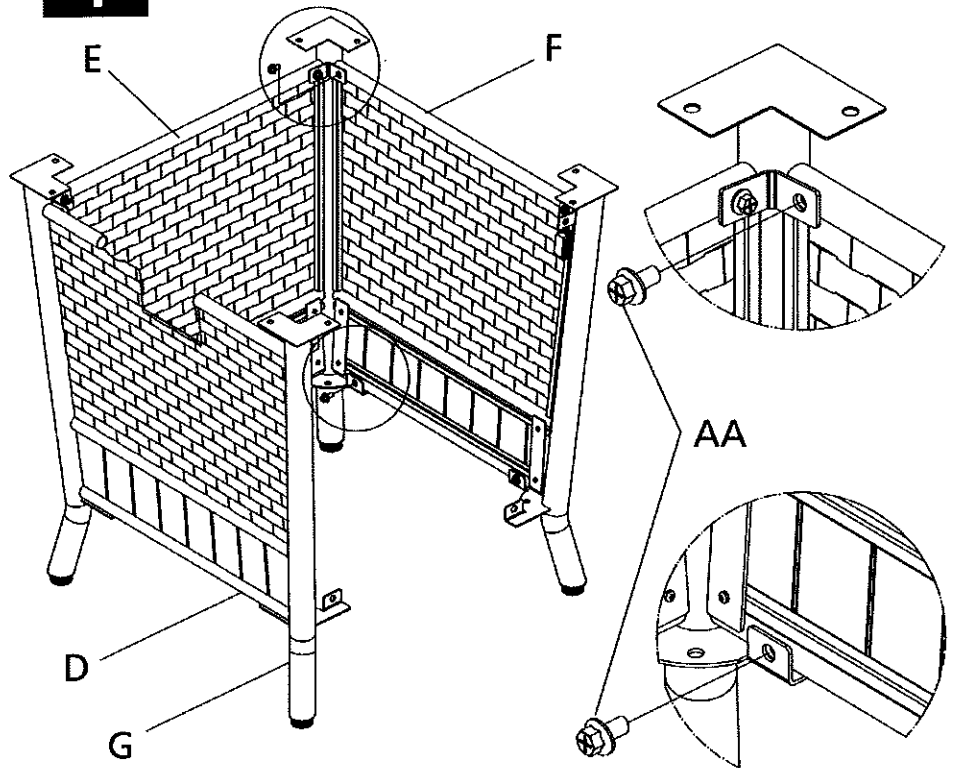
A Phillips screwdriver and an adjustable wrench is needed for assembly.

Assembly time: 30 minutes

STEP 1: ASSEMBLE THE PANELS TO THE LEGS

Assemble each panel [D,E,F] to the legs [G] using (12) M6 x 10MM bolts [AA]. Arrange panels exactly as shown. Tighten bolts securely.

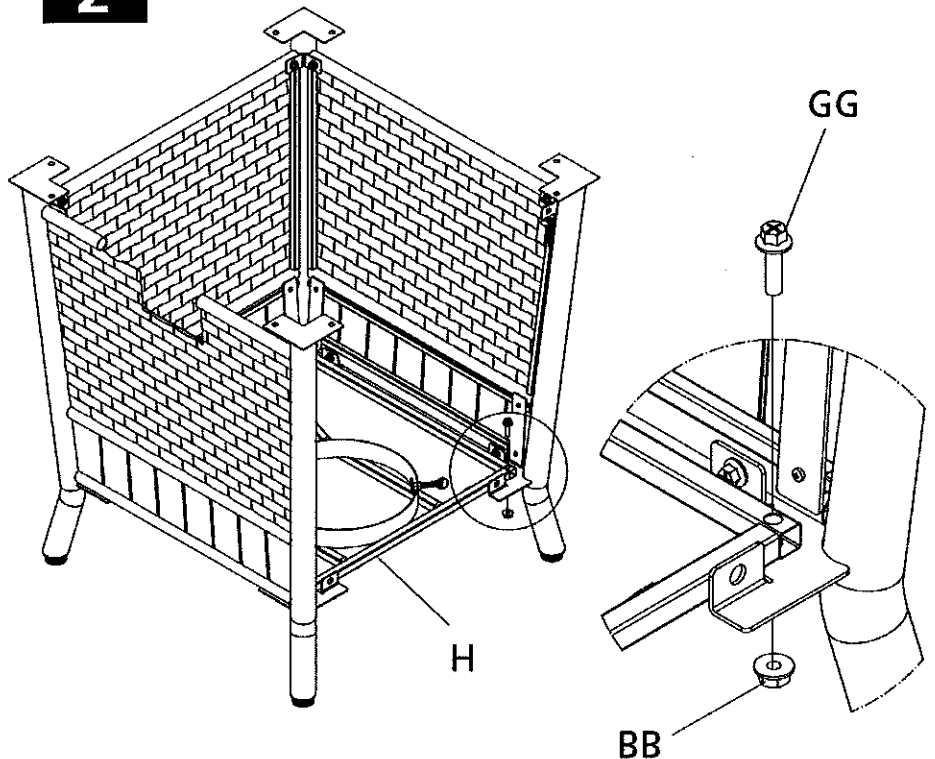
STEP 1



STEP 2

STEP 2: ASSEMBLE THE BASE STRUCTURE

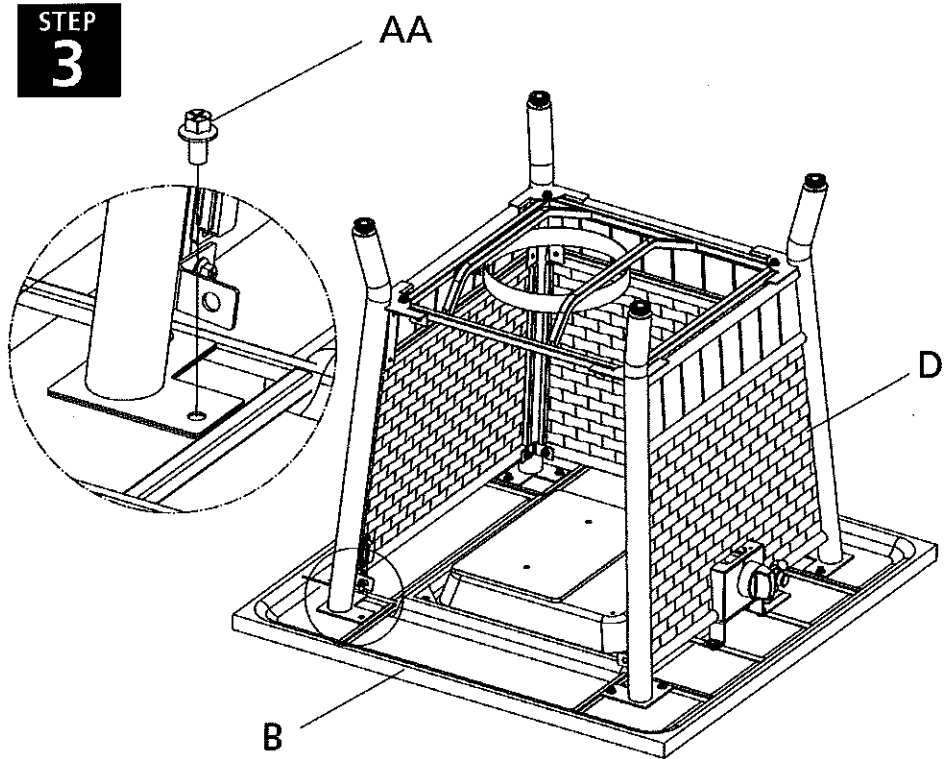
Place the base structure [H] inside and align with the holes brackets on the legs. Assemble using (4) M6 x 20MM bolts [GG] and (4) M6 hexnuts [BB]. Tighten bolts securely.



**ASHWORTH FIRE TABLE
ASSEMBLY INSTRUCTIONS**

STEP 3: ASSEMBLE THE TABLE ASSEMBLY

Carefully rotate and place the table assembly [B] onto a piece of cardboard or other soft material. Align front panel [D] with the control panel and place onto the table assembly. Align the holes and use (8) M6 x 10MM bolts [AA] to assemble. Start all bolts first before tightening all bolts securely.

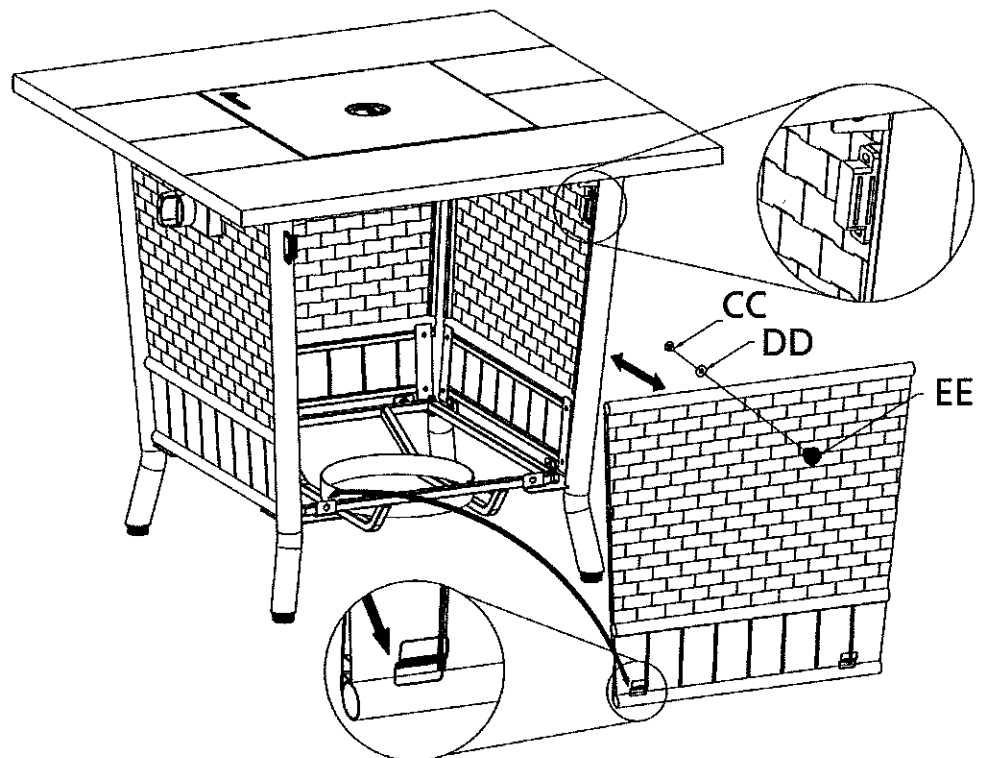


STEP 4

STEP 4: ASSEMBLE THE DOOR

Assemble the door knob [EE] to the door panel [C] using (1) M4 x 8MM bolt [CC] and (1) washer [DD]. Tighten bolt securely.

Place the bottom of the door tabs into the slots in the base structure. Pivot the door closed to the magnetic catches.

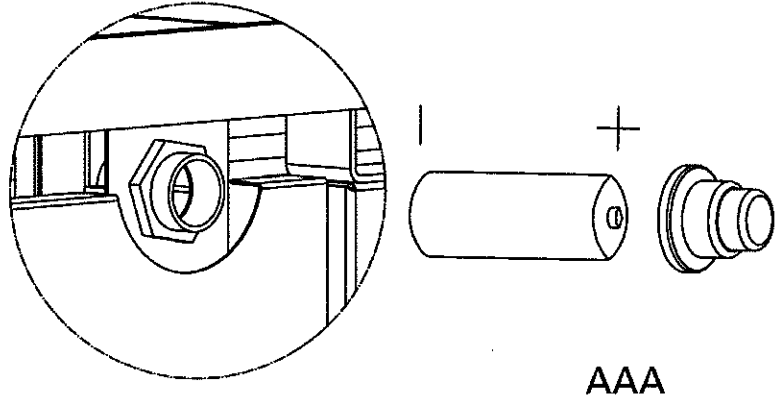


**ASHWORTH FIRE TABLE
ASSEMBLY INSTRUCTIONS**

STEP 5: ASSEMBLE THE BATTERY

Remove the ignitor cap and slide one new AAA battery (not included) into the battery slot. The negative side of the battery goes in first. Reinstall the ignitor cap securely. Insure the ignitor works by pressing the cap and hearing for the spark from the electrode located inside the ignitor guard.

**STEP
5**



STEP 6: PLACE THE GLASS ROCK

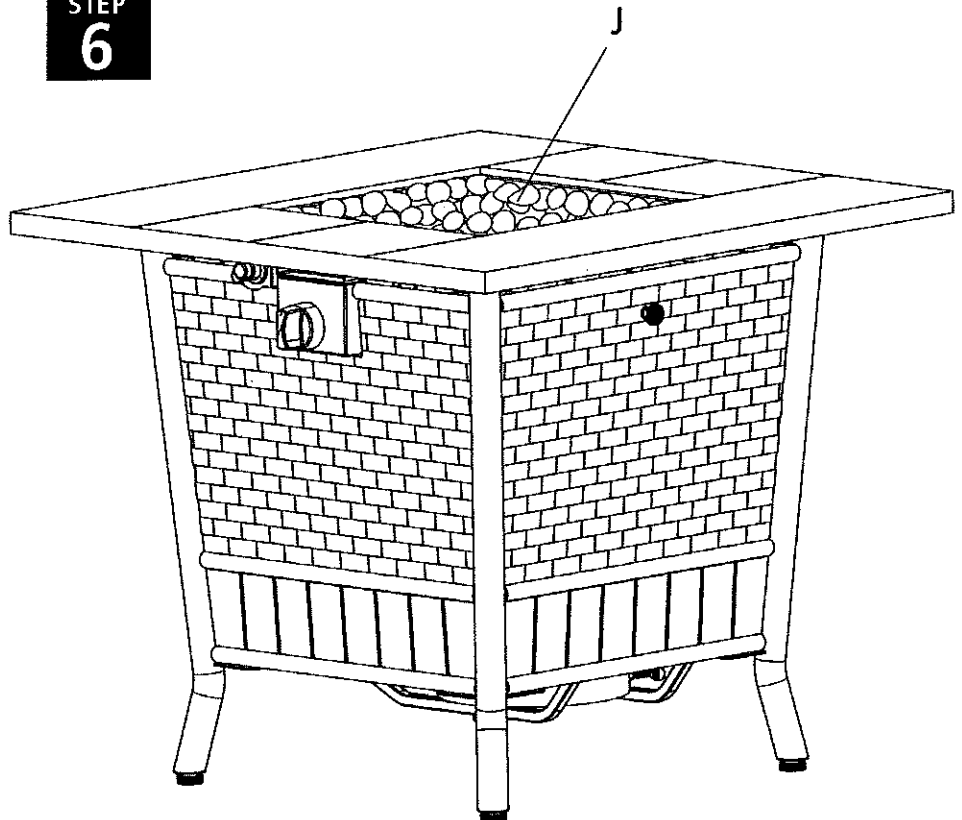
Carefully open the package for the glass rock [J] and slowly pour the rock evenly into the firebowl.

To ensure proper function, make sure that the glass rock does not enter the inside of the ignitor guard. The glass rocks can be placed around and on top of the ignitor guard. Keep inside of the ignitor guard clear.

CAUTION: Carefully handle the glass rock as there could be glass chips or shards they can be very sharp.

DANGER: Keep children away from the glass rocks. Keep fire pit cover in place when not in use. Do not allow children to play with the glass rocks as they can be a choking hazard.

**STEP
6**

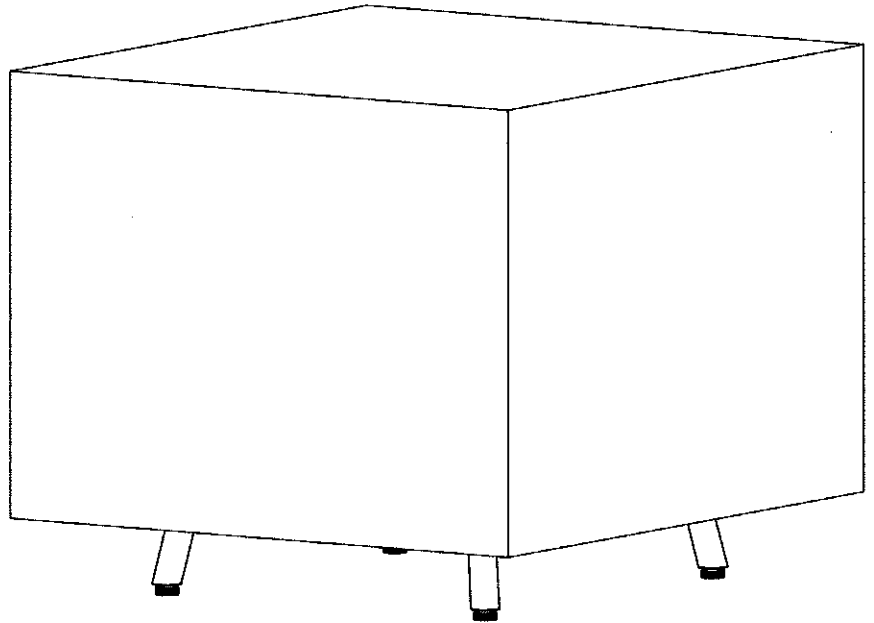


**ASHWORTH FIRE TABLE
ASSEMBLY INSTRUCTIONS**

STEP 7: ADD THE FIRE PIT COVER

Place the fire pit cover [A] on the fire pit when not in use.

**STEP
7**



**PROPANE TANK
INSTALLATION INSTRUCTIONS**

No tools needed.

Assembly time: 5 minutes

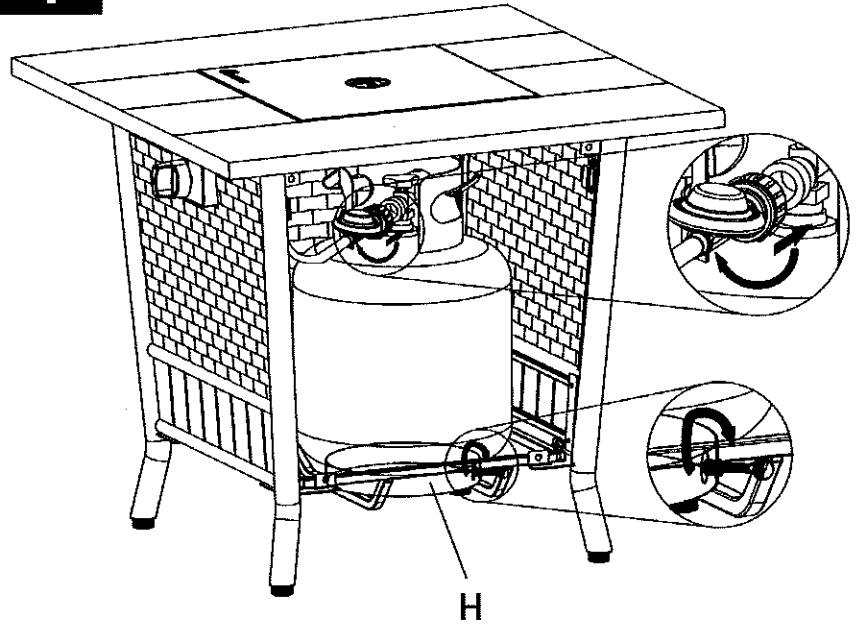
⚠ NOTICE!! This fire table was made to use a 20 lb. propane fuel tank only. Do not connect to a remote gas supply. Do not use natural gas.

⚠ CAUTION!! Make sure the control knob is in the OFF position before assembling the propane fuel tank.

STEP 1: PLACE THE PROPANE TANK

Remove and place the door panel off to the side. Place a 20 lb. propane fuel tank (not included) onto the base structure [H]. Secure the propane fuel tank with the wing bolt. Tighten until the tank is secure.

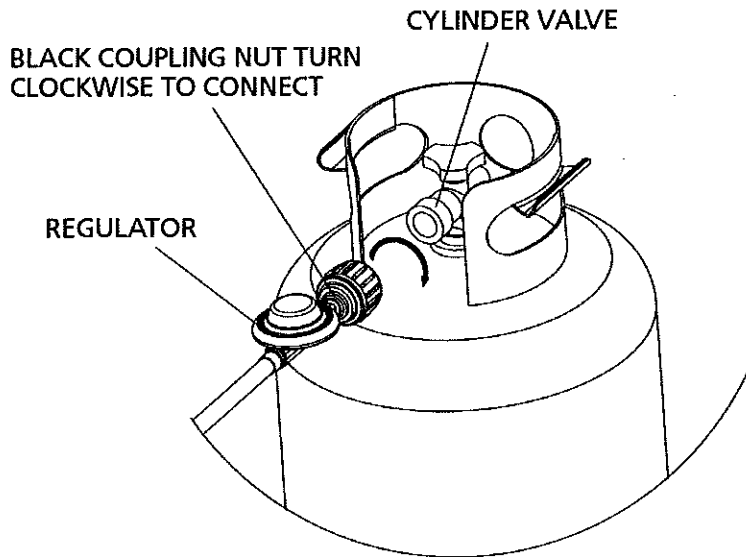
**STEP
1**



**STEP 2: ASSEMBLE THE FUEL HOSE TO
THE PROPANE FUEL TANK**

Attach the regulator to the propane fuel tank. Securely hand tighten.

**STEP
2**

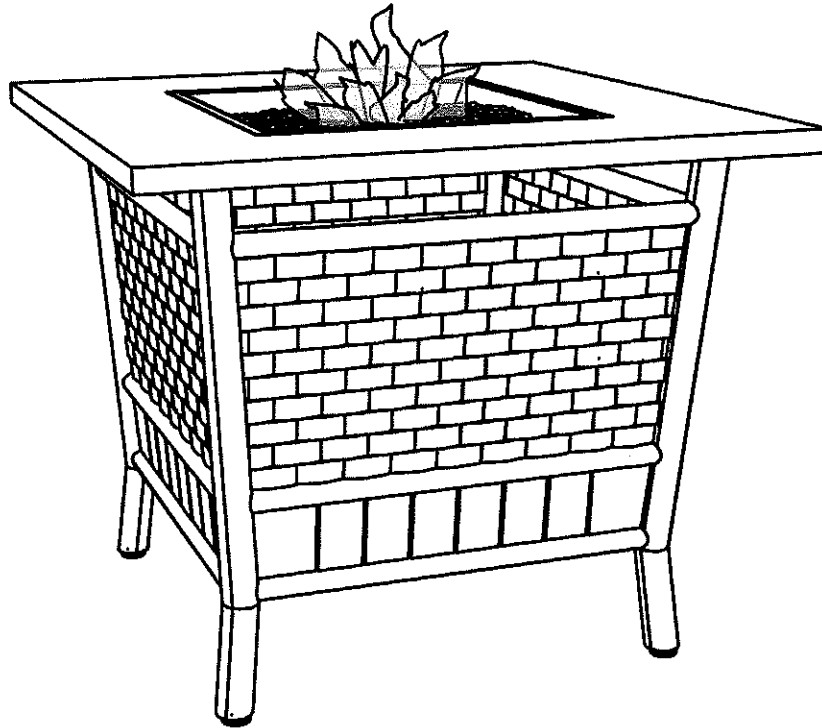


LEAK TEST INSTRUCTIONS

Before using, it is a good idea to perform a leak test. Do this in a well-ventilated area outside, away from any sources of sparks such as light switches.

Connect the regulator to the propane fuel tank, turn the knob on the propane tank but keep the control knob on the fire table in the OFF position. This will pressurize the fuel lines. Pour a soapy water solution on the fuel line connections. If a leak is present, bubbles will form at the leak. If a leak is found or gas is smelled, turn off the gas at the propane tank. Tighten the connection and perform the test again. If the leak cannot be remedied, do not use the fire table until repairs can be made.

**DO NOT RETURN PRODUCT TO THE STORE.
IF YOU HAVE QUESTIONS OR HAVE
TROUBLE WITH ASSEMBLY, PLEASE CALL
1-800-321-3473 FOR ASSISTANCE**



ASHWORTH OPERATING INSTRUCTIONS

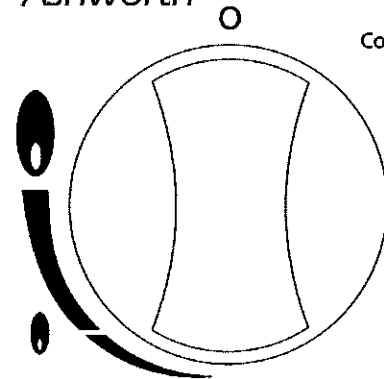


WARNING

The fire pit and glass rock become very hot. Use caution around the fire table. Keep the fire table area free and clear of combustible materials.

1. The fire table must be a minimum of 60 inches away from any walls, railings, furniture or any other combustible materials.
2. Make sure adequate fuel is in the propane tank.
3. Always be sure the control knob is in the OFF position before opening the propane knob.
4. Slowly turn the propane knob to OPEN.
5. Turn the control knob to HIGH.
6. Press the ignitor, hear for the spark and hold until the fuel ignites.
7. To adjust the flame, turn the knob either clockwise or counterclockwise within the range of HI to LOW on the control panel.
8. To turn off, turn the propane tank knob to CLOSE.
9. Wait until the fire extinguishes to purge the lines of fuel before turning the control knob on the fire table to OFF.

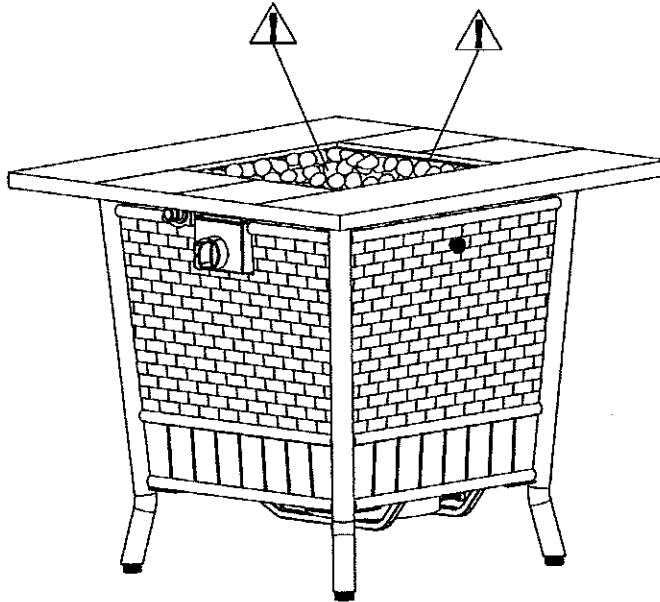

LANDMANN
Ashworth



See manual for further instructions.
Voir le manuel pour de plus amples instructions.
Consulte el manual de instrucciones.

CARE AND MAINTENANCE

- BEFORE EACH USE, VISUALLY INSPECT ALL PARTS TO INSURE THEY ARE IN GOOD WORKING ORDER.
- TAKE CARE WHEN MOVING AS THE FIRE TABLE TOP CAN CHIP OR CRACK OR BREAK IF HANDLED ROUGHLY OR DROPPED.
- THE FIRE TABLE MAY BE CLEANED WITH A MILD SOAP AND WATER SOLUTION. USE A SOFT RAG, NEVER USE COARSE OR ROUGH MATERIALS. DO NOT ALLOW THE GLASS ROCK OR THE BURNER / COMPONENTS TO BECOME WET.
- KEEP THE FIRE TABLE OUT OF THE WEATHER AND ELEMENTS.
- STORE THE FIRE TABLE IN A DRY LOCATION OUT OF THE WEATHER.
- USE THE WEATHER COVER ONLY AFTER THE FIRE TABLE IS COMPLETELY COOL TO THE TOUCH.
- USE THE WEATHER COVER AT ALL TIMES WHEN NOT IN USE.
- THE PROPANE FUEL TANK MUST BE DISCONNECTED FROM THE FIRE TABLE BEFORE IT CAN BE STORED INDOORS.



⚠
HOT SURFACES DURING USE

SPECIFICATIONS

Conforms to ANSI STD Z21.97-2014 Certified to CSA STD 2.41-2014 Outdoor decorative Gas Appliance.

INPUT RATING (BTU)	50,000
FUEL TYPE	20 LB. PROPANE FUEL TANK
ESTIMATED RUN TIME (HIGH) . . . (AVERAGE)	8 HRS
BATTERY (1 REQUIRED)	AAA

Congratulations on your purchase of the Ashworth Outdoor Gas Fire Table! At Landmann USA, we strive to provide you with an easy to use, easy to assemble product. However, in the unlikely event your package should have a missing or defective part, please contact us at: customerservice@landmann-usa.com
-OR-
1-800-321-3473 M-F 8-5 ET.
Proof of purchase may be required.
Thank you!

LIMITED WARRANTY

Landmann USA ("Landmann") warrants that this product shall be free of defects in material and workmanship to the original purchaser for 1 YEAR. This limited warranty is made exclusively to the original customer presenting proof of purchase. This warranty is limited to non-commercial residential use only. Any returned goods must be shipped prepaid.

This warranty does not cover normal wear or damage resulting from any of the following: negligence, abuse, misuse, alteration, improper installation, improper maintenance or failure to perform normal maintenance, or any use contrary to operating instructions. Furthermore, Landmann does not warrant in any way the paint or stone finishes of this product or cover damage or deterioration due to any normal or severe weather conditions or to any chemical exposure. These warranties do not cover surface scratches or heat damage, which is considered to be normal wear. These warranties do not cover the lava rocks or the faux firewood. Chips, cracks or breaks in the stone base caused by normal use are not covered by this warranty. These warranties exclude liability for any indirect, incidental consequential damages or loss of property of any nature.

Do not return product or any parts to the store or ship to the manufacturer without written authorization.

Contact Customer Service at: 1-800-321-3473 or customerservice@landmann-usa.com. Any returned products or parts must be returned postage prepaid.

These warranties are limited to non-commercial residential use only.

Product repair or replacement as provided under this warranty is your exclusive remedy. Landmann shall not be liable for any incidental or consequential damages or breach of any express or implied warranty on this product or any part thereof, except to the extent prohibited by applicable law. Some states do not allow the exclusion or limitation of incidental or consequential damages, or allow limitation on how long an implied warranty lasts, therefore, the above limitation or exclusion may not apply to you. This warranty gives you specific legal rights, and you may also have other rights, which vary, from state to state.

TROUBLESHOOTING		
PROBLEM	POSSIBLE CAUSE	CORRECTIVE MEASURES
GAS ODOR	Gas leaking	<ul style="list-style-type: none"> • Check all gas connections. • Use soapy water solution to determine where leak is coming from. • If leak cannot be found and gas is still smelled, do not try to light any appliance. • Do not touch any electrical switches. • Do not use any phone. • Immediately call your gas supplier from a neighbors phone. • If you cannot reach your gas supplier, call the fire department.
WILL NOT LIGHT	<p>Low gas pressure</p> <p>Clogged or dirty burner ports</p> <p>Blocked orifice</p> <p>Battery is expired</p> <p>Faulty wiring or electrode</p>	<ul style="list-style-type: none"> • Check gas supply pressure • Clean the burner ports • Check orifice opening • Replace the battery • Check all wire connections, when the control knob is pressed a sparking action can be heard in the burner area.
IMPROPER BURNER FLAME	<p>Incorrect gas pressure</p> <p>Blocked orifice</p> <p>Clogged or dirty burner ports</p>	<ul style="list-style-type: none"> • Check gas supply pressure • Check orifice opening • Clean burner ports
CRACKING OR POPPING	Glass rocks are wet	<ul style="list-style-type: none"> • Allow glass rocks to dry before using.