

VT-MA07-FHD (Heated)



VT-MA07-FHD (Heated)

HEATED SIDE/REAR-VIEW CAMERA

Compact heated wing mirror mounted side camera. Used for wide loads and trailers.



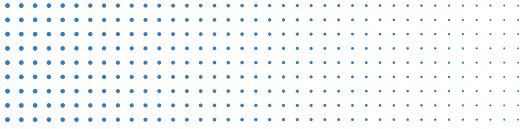
Key features:



- ✓ 1080p Full HD
- ✓ 150° wide-viewing angle
- ✓ Wing mirror mounting brackets included
- ✓ DC 12V Power
- ✓ 50(L) x 65(H) x 80(W)mm



t +44 (0) 1246 225 745
e info@visiontrack.com
w visiontrack.com
s support.visiontrack.com

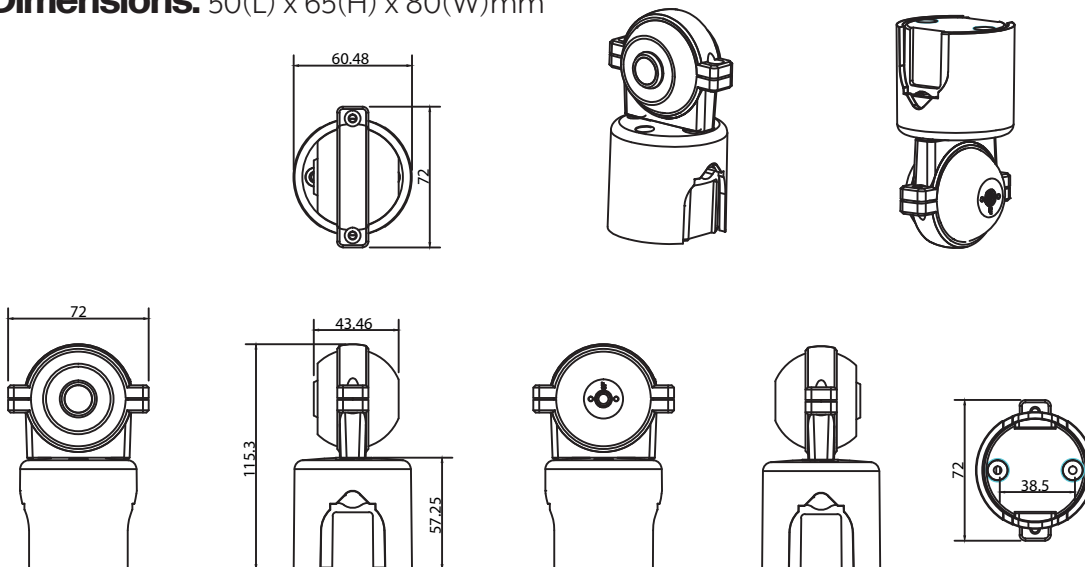


VT-MA07-FHD (Heated)

Specifications:

Image Device	SONY CMOS IMX327
TV System	PAL
Image	Mirror Image, without guide line
IP Rating	IP69K
Connector	4P aviation connector
B.L.C	Back light Compensation (Auto)
White Balance	Auto White Balance (Auto)
Minimum Illumination	0.01 Lux (10-15m night view)
Built-in Lens	f: 2.1mm
Power Consumption	DC 12V (+/-10%)
Lens Angle	150°
Operation Temperature	-20°C~ +70°C
Storage Temperature	-30°C~ +80°C

Dimensions: 50(L) x 65(H) x 80(W)mm



t +44 (0) 1246 225 745
e info@visiontrack.com
w visiontrack.com
s support.visiontrack.com