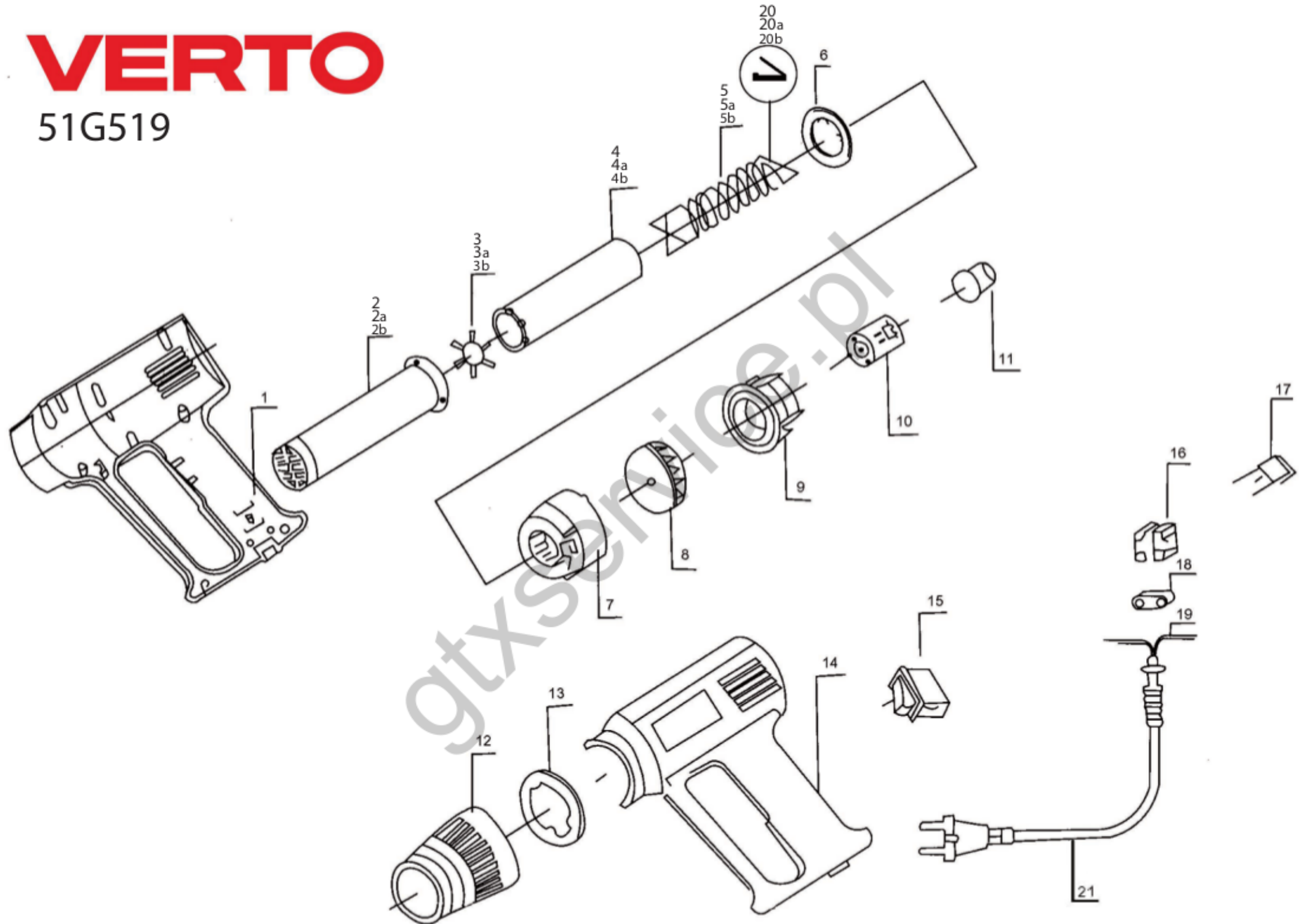


VERTO

51G519



| No | SKU | Net_Price_EUR | Set |
|-----|---------------|---------------|------------|
| 1 | | | |
| 2 | K/51G517-21 | 6,77 | yes |
| 2a | K/51G517-21. | 6,77 | yes |
| 2b | K/51G517-21.. | 6,77 | yes |
| 3a | K/51G517-21. | 6,77 | yes |
| 3b | K/51G517-21.. | 6,77 | yes |
| 3 | K/51G517-21 | 6,77 | yes |
| 4 | K/51G517-21 | 6,77 | yes |
| 4a | K/51G517-21. | 6,77 | yes |
| 4b | K/51G517-21.. | 6,77 | yes |
| 5a | K/51G517-21. | 6,77 | yes |
| 5b | K/51G517-21.. | 6,77 | yes |
| 5 | K/51G517-21 | 6,77 | yes |
| 6 | | | |
| 7 | | | |
| 8 | K/51G517-18 | 3,31 | yes |
| 9 | | | |
| 10 | K/51G517-18 | 3,31 | yes |
| 11 | | | |
| 12 | | | |
| 13 | | | |
| 14 | | | |
| 15 | K/51G517-1 | 2,63 | |
| 16 | K/51G517-110 | 1,80 | |
| 17 | | | |
| 18 | | | |
| 19 | | | |
| 20 | K/51G517-21 | 6,77 | yes |
| 20a | K/51G517-21. | 6,77 | yes |
| 20b | K/51G517-21.. | 6,77 | yes |
| 21 | K/PZ22100 | 8,57 | |