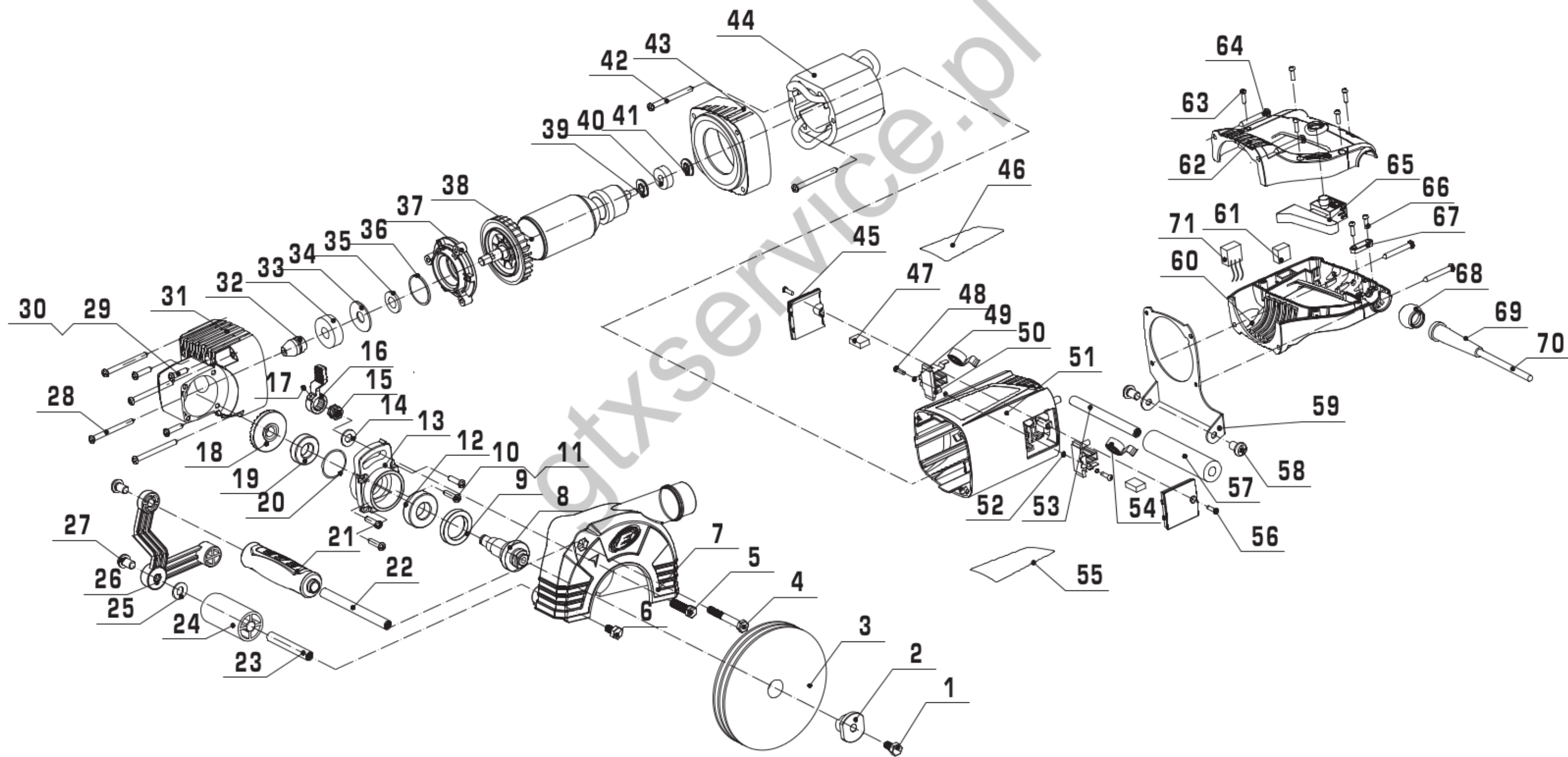


59GP300



No	SKU	Net_price_EUR	Cena_USD
1	K02008	4,38	4,88
2	K02008	4,38	4,88
3	K02009	58,65	78
4			
5			
6			
7	K02010	14,29	15,92
8	K02011	31,45	35,02
9	K02011	31,45	35,02
10			
11			
12a	K/LO6004	2,08	3,01
12	K02011	31,45	35,02
13	K02011	31,45	35,02
14	K02012	4,38	4,88
15	K02012	4,38	4,88
16	K02012	4,38	4,88
17	K02012	4,38	4,88
18	K02011	31,45	35,02
19	K02011	31,45	35,02
19a	K/LO6003	2,08	2,94
20	K02011	31,45	35,02
21	K02013	8,38	9,33
22	K02013	8,38	9,33
23	K02013	8,38	9,33
24	K02013	8,38	9,33
25	K02013	8,38	9,33
26	K02013	8,38	9,33
27	K02013	8,38	9,33
28			
29			
30			
31	K02014	13,15	14,64
32	K02015	44,79	49,87
33	K02015	44,79	49,87
34	K02015	44,79	49,87
35	K02015	44,79	49,87
36	K02015	44,79	49,87
37	K02015	44,79	49,87
38	K02015	44,79	49,87
39	K02015	44,79	49,87
40	K02015	44,79	49,87
40a	K/LO6000	2,08	2,12
41	K02015	44,79	49,87
42			
43			
44	K02016	25,73	28,65
45			
46			
47	K02017	5,72	6,36
48			
49			
50	K02018	5,72	6,36
51	K02019	8,38	9,33

No	SKU	Net_price_EUR	Cena_USD
52			
53	K02020	5,72	6,36
54	K02018	5,72	6,36
55			
56			
57	K02020	5,72	6,36
58	K02020	5,72	6,36
59	K02020	5,72	6,36
60			
61			
62			
63			
64			
65	K02021	4,38	4,88
66			
67			
68			
69	K02022	0,57	0,63
70	K02023	8,38	9,33
71	K/59G203-85	5,72	6,36