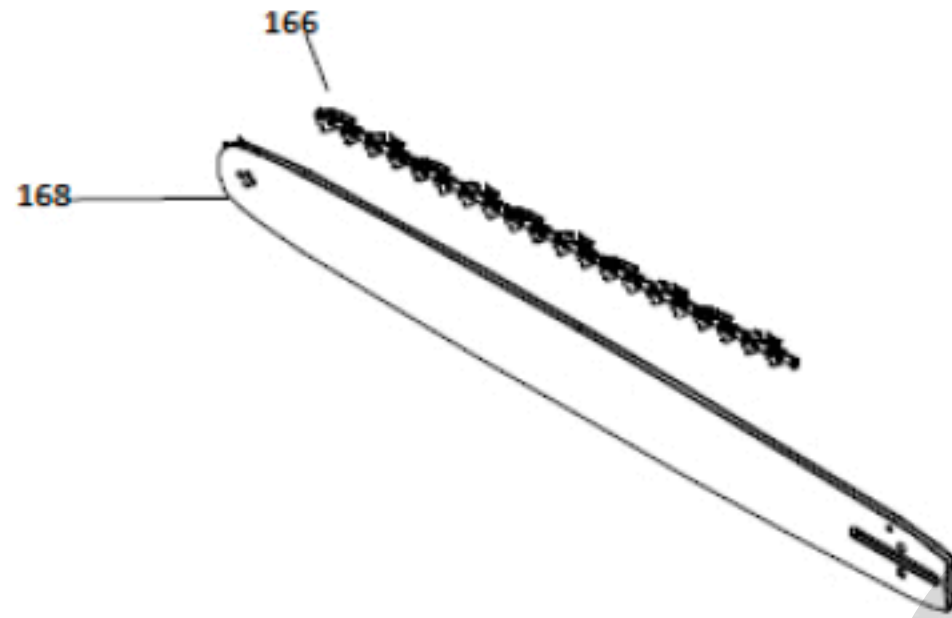
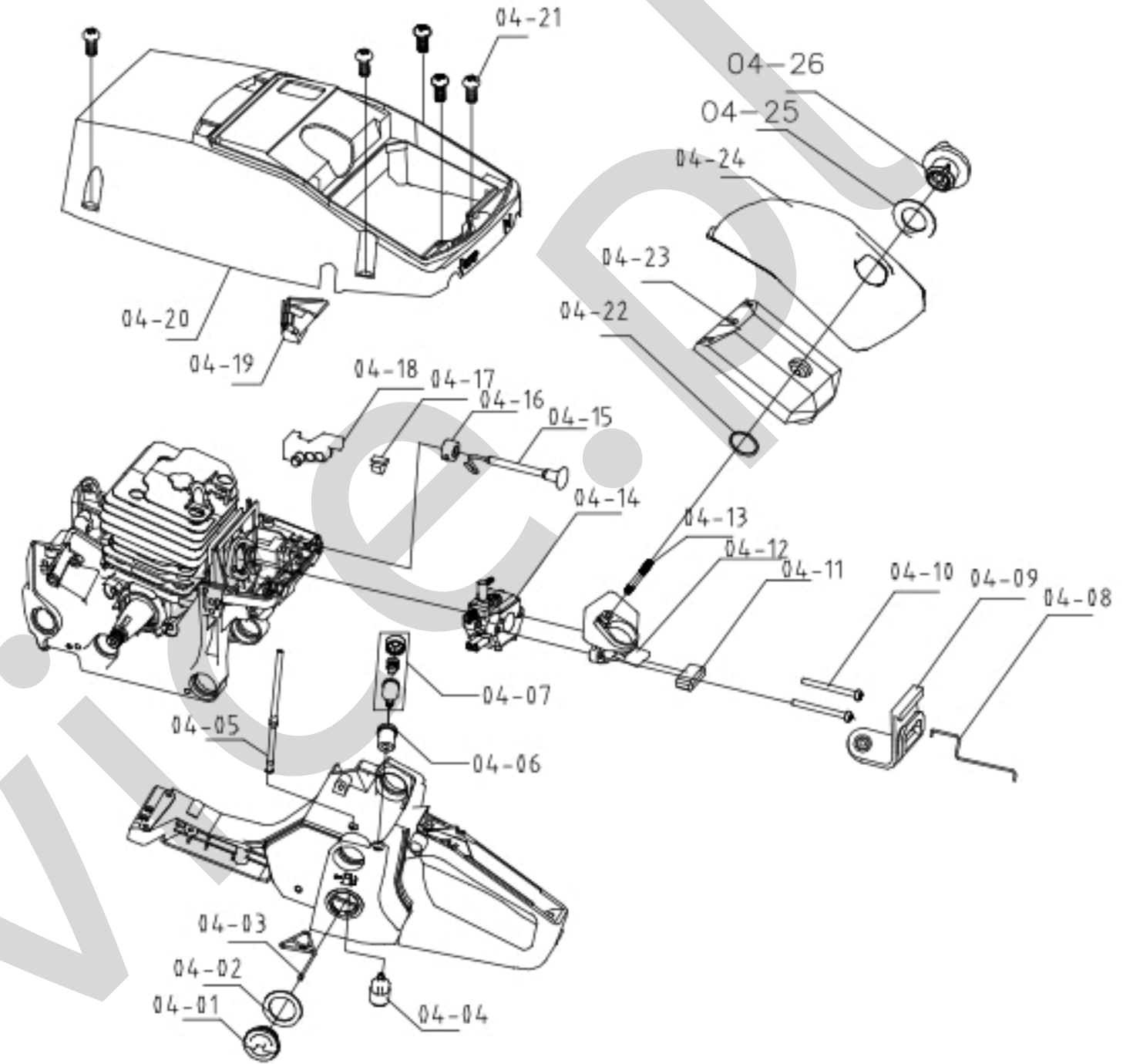
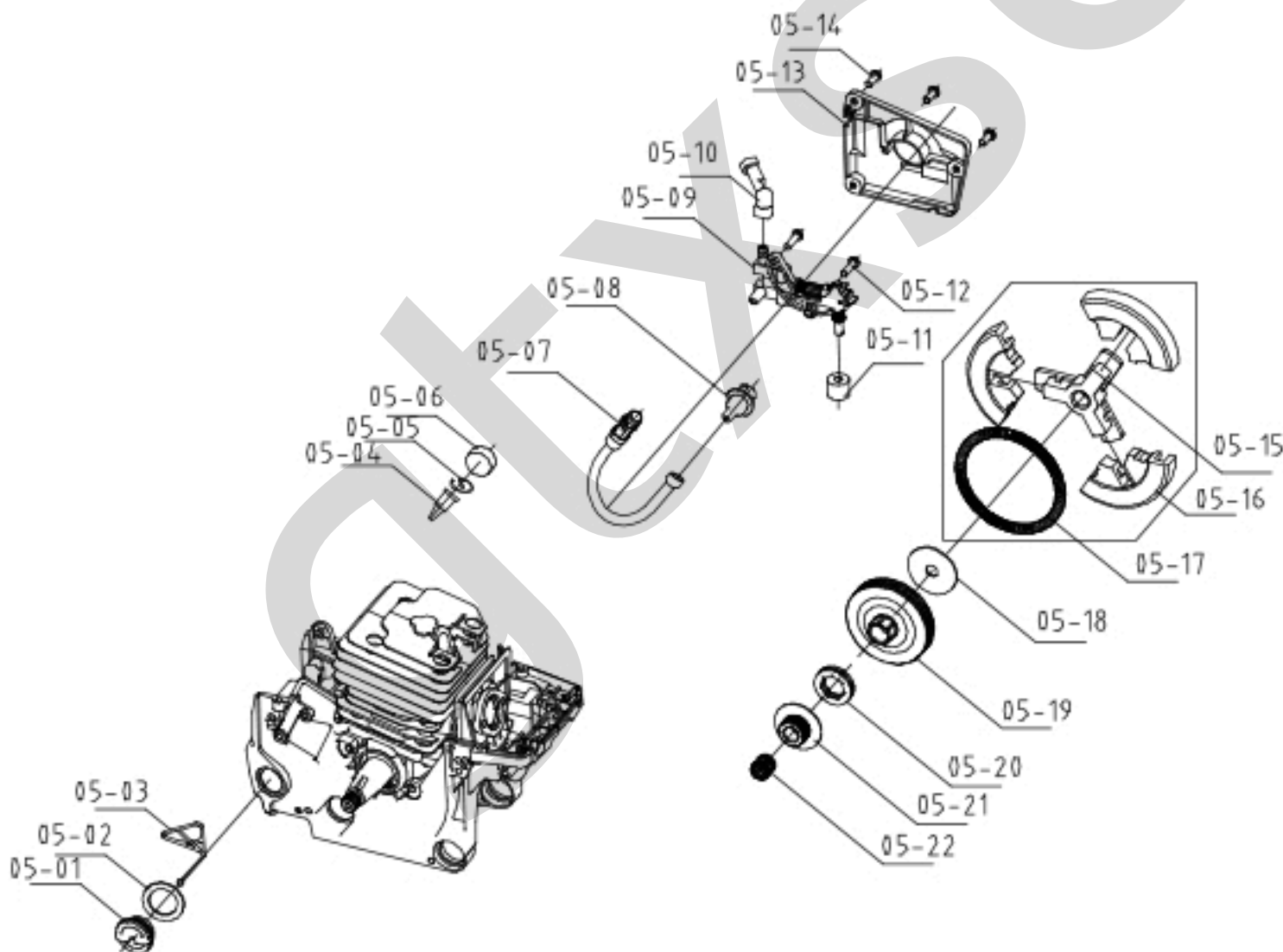


58G952

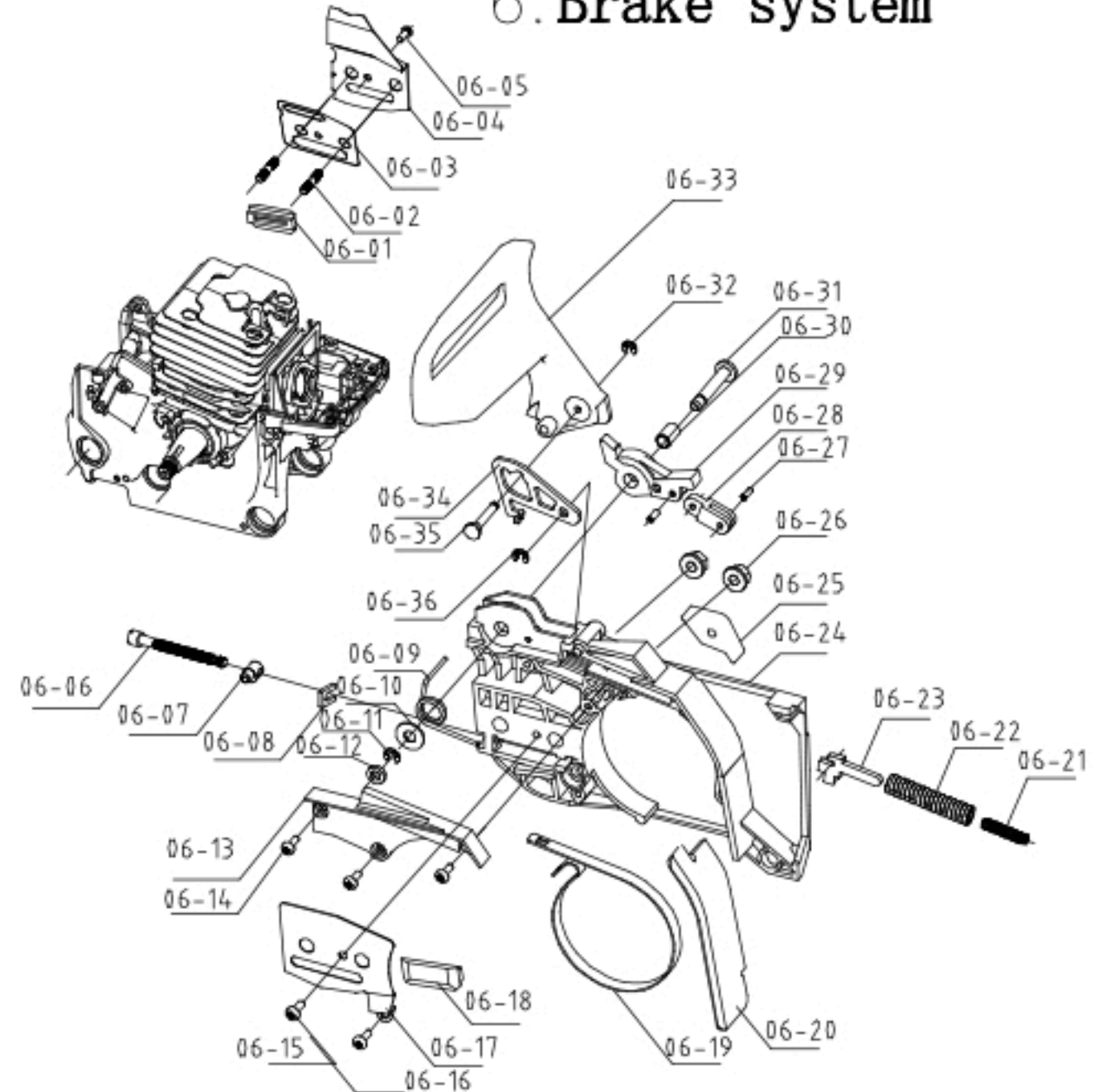
## 4. Air filter +Carbuetror+Cylinder cover



## 5. Oil pump+ Clutch



## 6. Brake system



No	SKU	Net_Price_EUR	Net_Price_USD
1-1			
1-4			
1-5			
1-6	K74737	4,38	4,88
1-7	K74738	0,95	1,06
1-8			
1-9			
1-10	K74739	10,67	11,88
1-11	K74740	0,95	1,06
1-12	K74741	0,95	1,06
1-13	K74742	2,29	2,54
1-14			
1-15	K74743	2,29	2,54
1-16	K74744	0,95	1,06
1-17	K74745	0,95	1,06
1-18	K74746	0,57	0,63
1-19			
1-20	K74747	2,29	2,54
1-21			
1-22			
1-23	K74748	1,52	1,70
1-24			
1-25	K/LO6202	3,03	2,40
1-26			
1-27			
1-28			
1-29	K74749	2,29	2,54
1-30	K74750	0,57	0,63
1-31			
1-32	K74751	0,57	0,63
1-33	K74752	1,52	1,70
1-34	K/58G943-183	0,57	0,63
1-35	K74753	8,38	9,33
1-36	K74754	3,43	3,82
1-37	K74754	3,43	3,82
1-38	K74755	4,38	4,88
1-39	K74756	3,43	3,82
1-40	K74757	0,57	0,63
1-41	K74758	0,57	0,63
2-1	K74759	5,72	6,36
2-2	K74759	5,72	6,36
2-4	K74759	5,72	6,36

2-5	K74759	5,72	6,36
2-6	K74759	5,72	6,36
2-7	K74759	5,72	6,36
2-8	K74759	5,72	6,36
2-9	K74759	5,72	6,36
2-11			
2-12			
2-13	K/58G943-300	8,38	9,33
2-14			
2-16	K/58G943-79	8,38	9,33
2-15			
2-18			
2-19			
2-20			
2-21	K/58G943-83	4,38	4,88
2-23			
2-24	K74760	2,29	2,54
2-25			
3-1			
3-2			
3-4			
3-5	K74761	2,29	2,54
3-6	K74761	2,29	2,54
3-7	K74761	2,29	2,54
3-8	K74762	8,38	9,33
3-9			
3-11			
3-10			
3-12			
3-13			
3-14	K74763	2,29	2,54
3-15			
3-16			
3-17			
3-20	K74764	1,52	1,70
3-21			
3-22			
3-24			
4-1	K/58G943-308	2,29	2,54
4-2	K/58G943-308	2,29	2,54
4-3	K/58G943-308	2,29	2,54
4-4	K74765	2,29	2,54
4-5	K74766	3,43	3,82

4-6	K74767	2,29	2,54
4-7	K74767	2,29	2,54
4-8			
4-9			
4-10			
4-11			
4-12			
4-13			
4-14	K74768	13,15	14,64
4-15	K74769	1,52	1,70
4-16			
4-18			
4-19			
4-20	K74770	4,38	4,88
4-22	K/58G943-299	3,43	3,82
4-23	K/58G943-299	3,43	3,82
4-24	K74771	4,38	4,88
4-25	K74771	4,38	4,88
4-26	K74771	4,38	4,88
5-1	K/58G943-162	0,95	1,06
5-2	K/58G943-162	0,95	1,06
5-3	K/58G943-162	0,95	1,06
5-4	K74772	1,52	1,70
5-5	K74772	1,52	1,70
5-6	K74772	1,52	1,70
5-8	K74773	2,29	2,54
5-7	K/58G943-290	2,29	2,54
5-10	K74774	1,52	1,70
5-9	K74781	4,38	4,88
5-11			
5-12			
5-13			
5-16	K/58G943-292	10,67	11,88
5-17	K/58G943-292	10,67	11,88
5-18			
5-19	K74775	4,38	4,88
5-20	K74776	3,43	3,82
5-21	K74777	1,52	1,70
5-22	K74778	2,29	2,54
5-15	K/58G943-292	10,67	11,88
6-1			
6-2			
6-3			

6-4			
6-6	K74779	8,38	9,33
6-7	K74779	8,38	9,33
6-8	K74779	8,38	9,33
6-9	K74779	8,38	9,33
6-10	K74779	8,38	9,33
6-11	K74779	8,38	9,33
6-12	K74779	8,38	9,33
6-13	K74779	8,38	9,33
6-14	K74779	8,38	9,33
6-15	K74779	8,38	9,33
6-17	K74779	8,38	9,33
6-19	K74779	8,38	9,33
6-20	K74779	8,38	9,33
6-21	K74779	8,38	9,33
6-22	K74779	8,38	9,33
6-23	K74779	8,38	9,33
6-24	K74779	8,38	9,33
6-25	K74779	8,38	9,33
6-26	K74779	8,38	9,33
6-27	K74779	8,38	9,33
6-28	K74779	8,38	9,33
6-29	K74779	8,38	9,33
6-30	K74779	8,38	9,33
6-31	K74779	8,38	9,33
6-32	K74779	8,38	9,33
6-33	K74779	8,38	9,33
6-34	K74779	8,38	9,33
6-35	K74779	8,38	9,33
6-36	K74779	8,38	9,33
166	58G952-71	19,80	22,80
168	58g952-73	9,45	10,90
303			