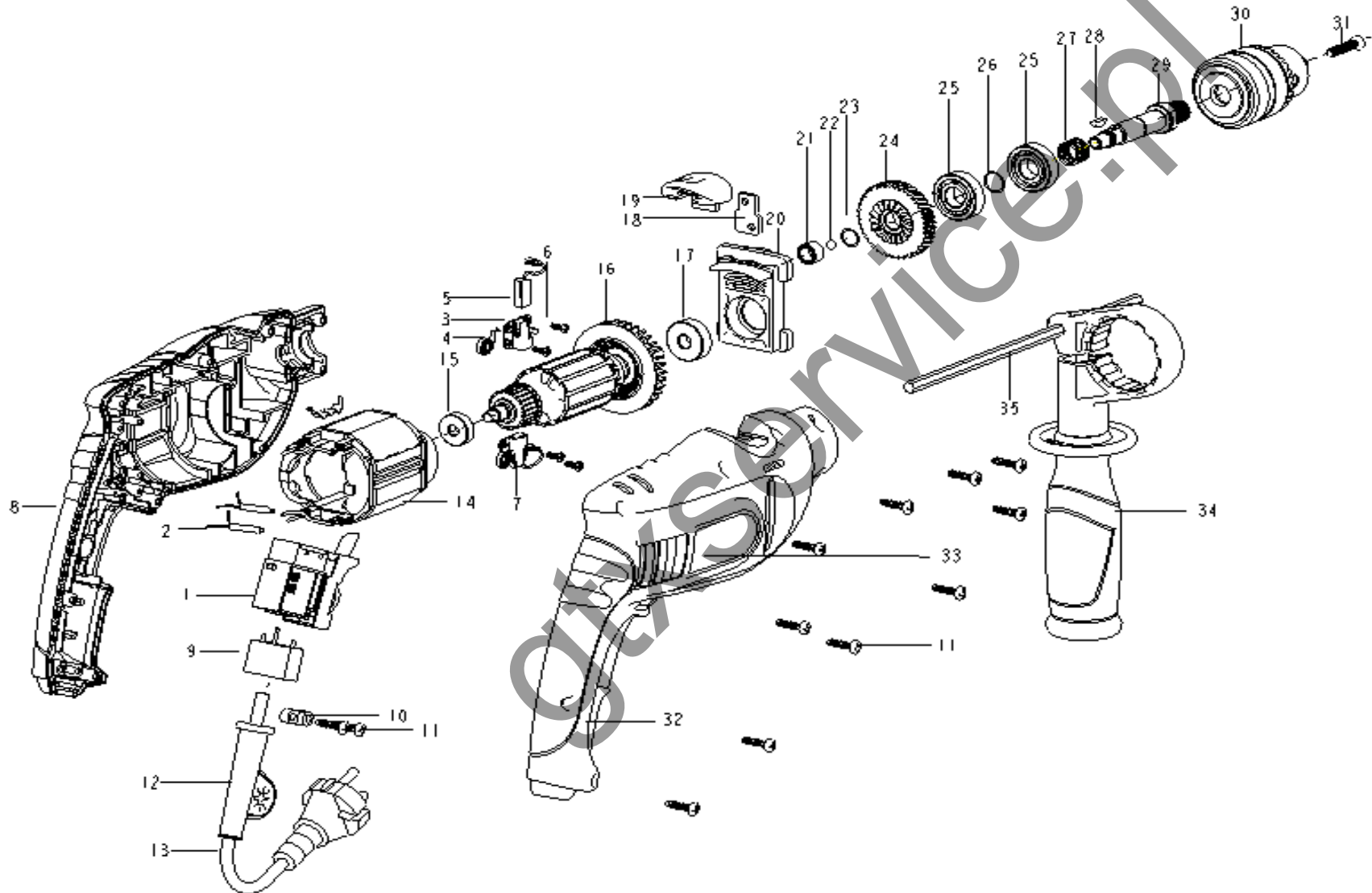
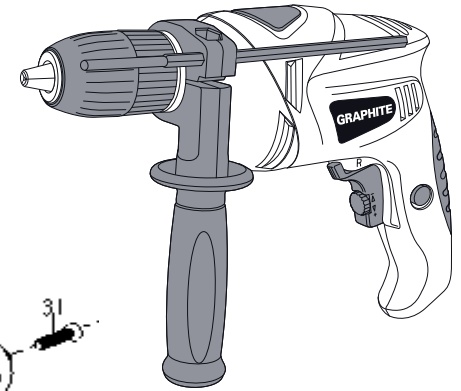


# GRAPHITE

■ EXPLORE YOUR SKILLS

## 58G717



| <b>No</b> | <b>SKU</b>  | <b>Net_Price_EUR</b> | <b>Net_Price_USD</b> |
|-----------|-------------|----------------------|----------------------|
| 1         | K/58G717-1  | 8,38                 | 9,33                 |
| 2         |             |                      |                      |
| 3         | K/58G717-5  | 5,72                 | 6,36                 |
| 4         | K/58G717-5  | 5,72                 | 6,36                 |
| 5         | K/58G717-4  | 3,43                 | 3,82                 |
| 6         |             |                      |                      |
| 7         |             |                      |                      |
| 8         |             |                      |                      |
| 9         |             |                      |                      |
| 10        |             |                      |                      |
| 11        |             |                      |                      |
| 12        |             |                      |                      |
| 13        | K/PZ32075   | 5,72                 | 6,36                 |
| 14        | K/58G717-3  | 13,15                | 14,64                |
| 15        | K/LO626     | 0,47                 | 1,80                 |
| 16        | K/58G717-2  | 12,39                | 13,79                |
| 17        | K/LO628     | 2,08                 | 1,84                 |
| 18        | K/58G717-91 | 3,43                 | 3,82                 |
| 19        | K/58G717-91 | 3,43                 | 3,82                 |
| 20        | K/58G717-9  | 3,43                 | 3,82                 |
| 21        | K/58G717-59 | 2,29                 | 2,54                 |
| 22        |             |                      |                      |
| 23        |             |                      |                      |
| 24        | K/58G717-22 | 5,72                 | 6,36                 |
| 25        | K/LO6001    | 2,08                 | 2,31                 |
| 26        |             |                      |                      |
| 27        |             |                      |                      |
| 28        |             |                      |                      |
| 29        | K/58G717-6  | 5,72                 | 6,36                 |
| 30        | K/58G717-16 | 10,67                | 11,88                |
| 31        | K/SR5L20    | 0,57                 | 0,63                 |
| 32        |             |                      |                      |
| 33        |             |                      |                      |
| 34        |             |                      |                      |
| 35        |             |                      |                      |