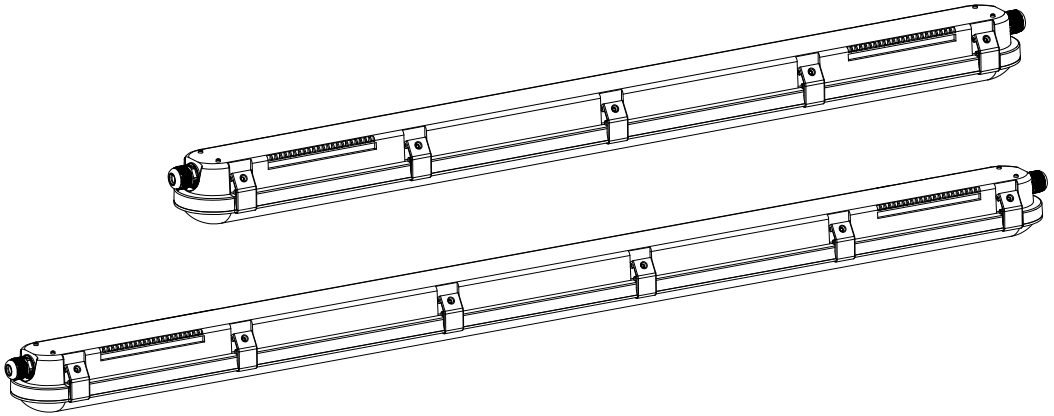


HOFTRONIC™



F SERIES

IP66 LED FIXTURE WITH MOTION SENSOR

MANUAL

GENERAL NOTES

Luminaire for standard application in humid areas and covered outdoor areas. Keep this assembly instruction safe for maintenance and dismantling or provide it to the adequate staff. Technical changes are reserved.

All measurements are in mm.

SAFETY NOTES

1. The LED fixture may be installed only by an certified electrician.
2. Interrupt the power supply before the installation.
3. Never install a defective LED fixture.
4. Only Work on the LED fixture in voltage free condition.

OTHER NOTES

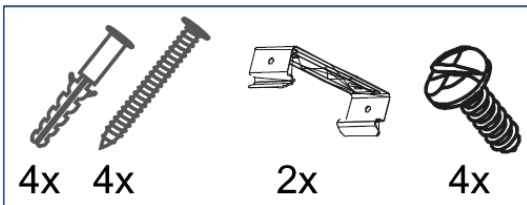
1. The LED fixture is intended for indoor rooms (ambient temperature of ~25°C).
2. Never touch the LED-modules, neither in operating mode or while switched off.
3. Due to problems with chemical resistance, choose cleaning materials which are suitable for plastic, when cleaning the LED fixture.

TECHNICAL DATA

Degree of protection: IP66

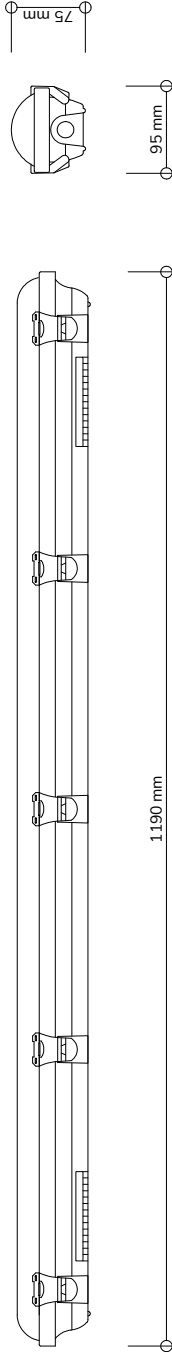
Supply voltage: AC 220-240 V 50/60Hz

Accessories:

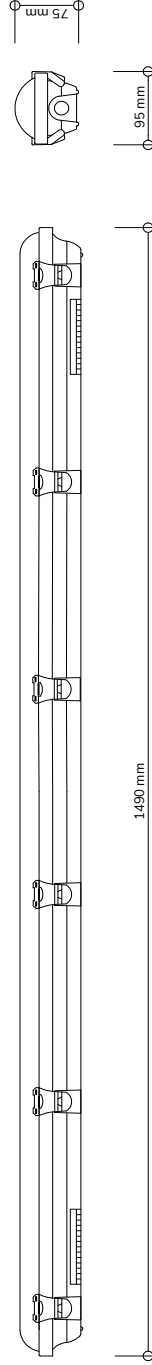


DIMENSIONS

120CM F01 & F02 SERIES - 1,6 kg



150CM F03 & F04 SERIES - 2 kg



SETTING THE POWER

Adjust the fixtures power, by adjusting the red dip switch next to the Osram LED driver. **Important:** make sure to disconnect the power before making any adjustments.

120CM F01 & F02 SERIES

The F01 and F02 series LED fixtures can be switched between 25W, 30W, 35W and 40W of output power. Please note that increasing or decreasing the output power affects the light output of the LED fixture.

		1 2	3000K	4000K	5000K	CURRENT
	25W	● ●	3000 lm	3500 lm	3250 lm	200 mA
30W	● ○	3600 lm	4200 lm	3900 lm	250 mA	
35W	○ ●	4200 lm	4900 lm	4550 lm	300 mA	
40W	○ ○	4800 lm	5600 lm	5200 lm	350 mA	

150CM F03 & F04 SERIES

The F03 and F04 series LED fixtures can be switched between 35W, 40W, 50W and 60W of output power. Please note that increasing or decreasing the output power affects the light output of the LED fixture.




		1 2	3000K	4000K	5000K	CURRENT
	35W	● ●	4200 lm	4900 lm	4550 lm	200 mA
40W	● ○	4800 lm	5600 lm	5200 lm	250 mA	
50W	○ ●	6000 lm	7000 lm	6500 lm	300 mA	
60W	○ ○	7200 lm	8400 lm	7800 lm	350 mA	

MAINTENANCE REFERENCE

Light source may only be replaced by the manufacturer, an appointed service technician, or a comparable qualified person.

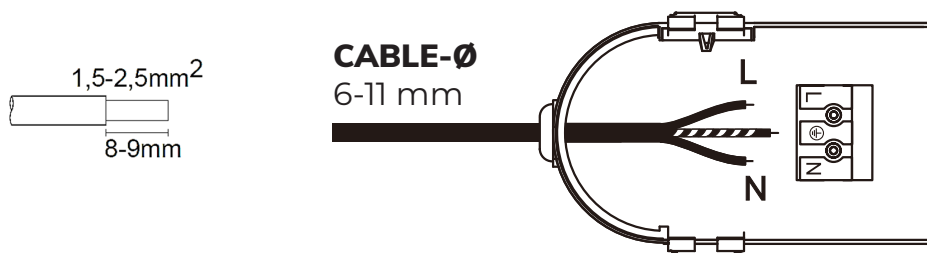
ADJUSTING THE COLOUR TEMPERATURE

Adjust the fixtures colour temperature using the slider on the back of the installation board. **Important:** make sure to disconnect the power before making any adjustments.

CCT	SWITCH
3000K	
4000K	
5000K	

ELECTRICAL CONNECTION & ASSEMBLY

Open the fixture and feed the power cable through the cable gland and connect it to the quick connector.

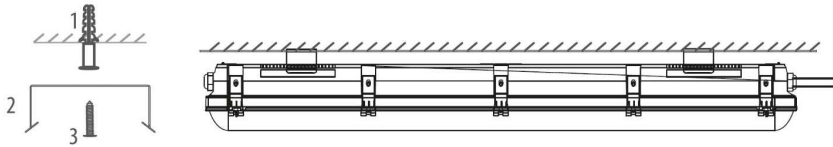


When closing the luminaire, always close up both opposite clips at once, starting from the middle. Secure the outermost clips at both ends with the supplied security screws.

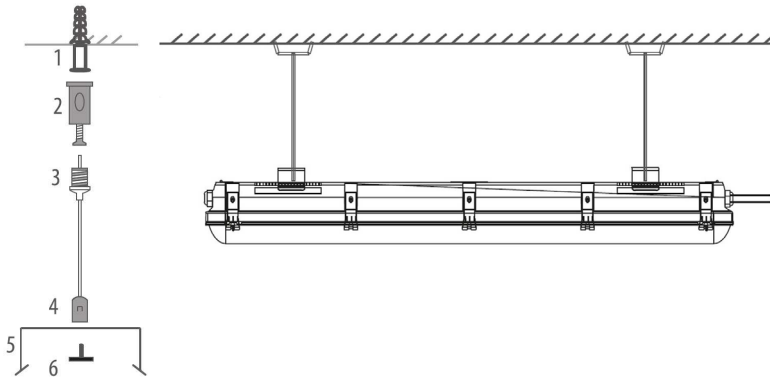
LED FIXTURES PER CIRCUIT BREAKER

	B10	B16	C10	C16
120CM F01 & F02 SERIES	12	19	20	32
150CM F03 & F04 SERIES	12	19	20	32

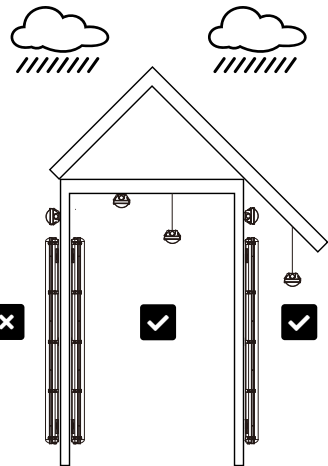
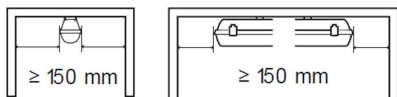
SURFACE MOUNTING



PENDULUM MOUNTING



MOUNTING INSTRUCTIONS



DISCLAIMER

In the event of damage caused by failure to follow the mounting instructions, the warranty claim expires. In case of disregard of the instructions and improper handling we assume no liability for consequential, material and personal damage.