

HOFTRONIC™

DATASHEET LED T8 NANO TUBES 150CM

110 LM/WATT



Specifications

| | SKU 399310 | SKU 399303 | SKU 398399 |
|-----------------------------|---------------------------|---------------------------|---------------------------|
| Input power | 100-240V AC | 100-240V AC | 100-240V AC |
| Watts | 24 Watt | 24 Watt | 24 Watt |
| Equivalent watts | 58 Watt | 58 Watt | 58 Watt |
| Luminous flux | 2640 Lumen | 2640 Lumen | 2640 Lumen |
| Light color | Daylight white | Neutral white | Warm white |
| Color temperature | 6000K | 4000K | 3000K |
| Color rendering index (CRI) | >80 | >80 | >80 |
| Beam angle | 320° | 320° | 320° |
| Powerfactor | >0.9 | >0.9 | >0.9 |
| Energy label | A+ | A+ | A+ |
| IP-rate | IP20 | IP20 | IP20 |
| Dimmable | No | No | No |
| Material | Fire-proof nanoplastic V0 | Fire-proof nanoplastic V0 | Fire-proof nanoplastic V0 |
| Dimensions | 1498 x 26 mm | 1498 x 26 mm | 1498 x 26 mm |
| Operation temperature | -25°C ~ 50°C | -25°C ~ 50°C | -25°C ~ 50°C |
| Switching cycles | 100.000 cycles | 100.000 cycles | 100.000 cycles |
| Life span | 30.000 hours | 30.000 hours | 30.000 hours |
| Certification | CE, EMC, RoHS, LM80 | CE, EMC, RoHS, LM80 | CE, EMC, RoHS, LM80 |
| Warranty | 3 years | 3 years | 3 years |
| EAN | 7439628399310 | 7439628399303 | 7439628398399 |



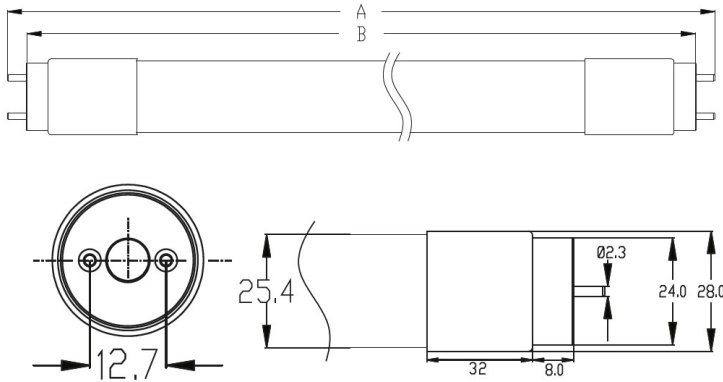
HOFTRONIC™

DATASHEET LED T8 NANO TUBES 150CM

110 LM/WATT

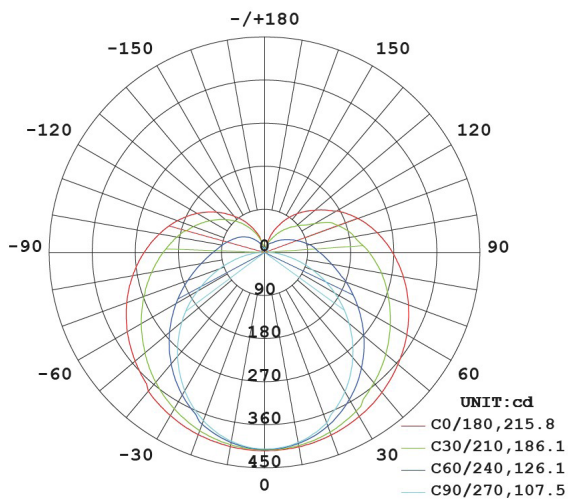


Specification



| | 2feet | 3feet | 4feet | 5feet |
|----|-----------|-----------|-----------|-----------|
| | 588 | 892 | 1198 | 1498 |
| | Dimension | Dimension | Dimension | Dimension |
| A: | 602mm | 906mm | 1212mm | 1512mm |
| B: | 588mm | 892mm | 1198mm | 1498mm |

Beam angle



Illumination Distribution Drawing

