

VERKABELUNGSPLAN
 WIRING DIAGRAM
 SCHÉMA ZAPOJENÍ
 SCHEMA DE CÂBLAGE
 SCHEMA DI CABLAGGIO
 BEKABELINGSPLAN
 SCHEMA ZAPOJENIA
 NAČRT OŽIČENJA

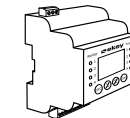
ID110/482: Version: 5, 05.10.2015
<http://www.ekey.net/downloads>



CABLE RECOMMENDATION

J-Y(ST)Y with 0.6 or 0.8mm²

OPTIONAL -



PIN	DESCRIPTION
1	RS485 (Clamp 1)
2	RS485 (Clamp 2)
3	Power supply FS
4	Power supply FS
5	+VCC (8-24V DC)
6	-VCC
7	Relay 1 C (common)
8	Relay 1 NO (normally open)
9	Relay 1 NC (normally closed)
10	Input 1/2 common
11	Input 1 - potential-free!
12	Input 2 - potential-free!
13	Relay 2 C (common)
14	Relay 2 NO (normally open)
15	Relay 2 NC (normally closed)



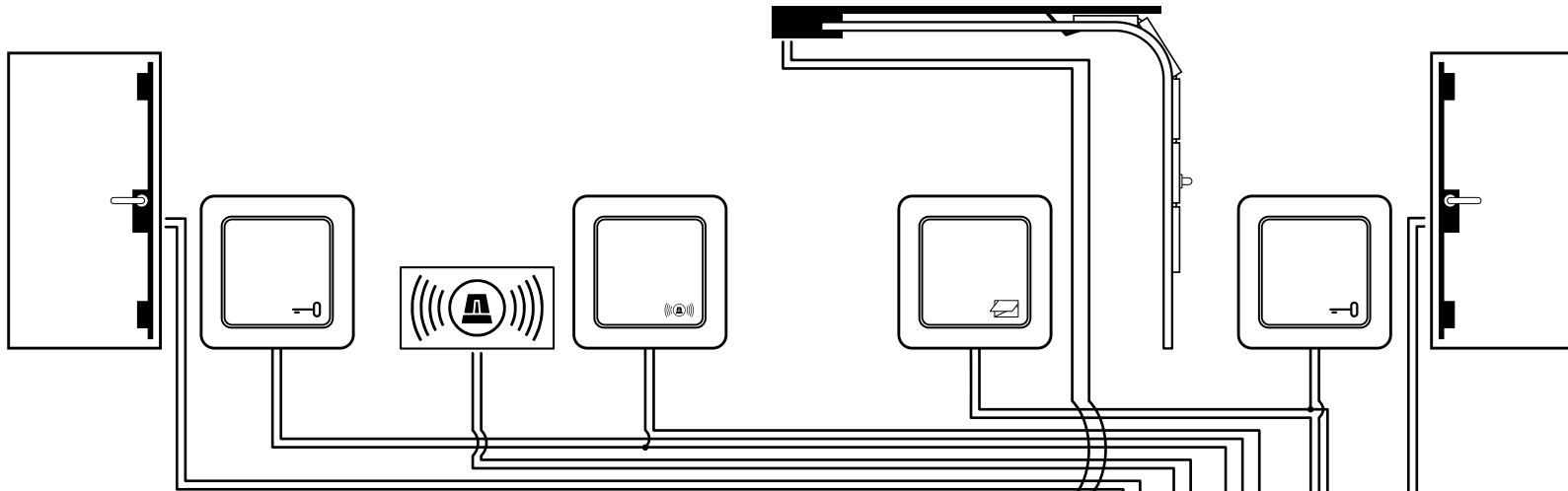
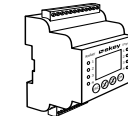
VERKABELUNGSPLAN
 WIRING DIAGRAM
 SCHÉMA ZAPOJENÍ
 SCHÉMA DE CÂBLAGE
 SCHEMA DI CABLAGGIO
 BEKABELINGSPLAN
 SCHÉMA ZAPOJENIA
 NAČRT OŽIČENJA

ID110/482: Version: 5, 05.10.2015
<http://www.ekey.net/downloads>

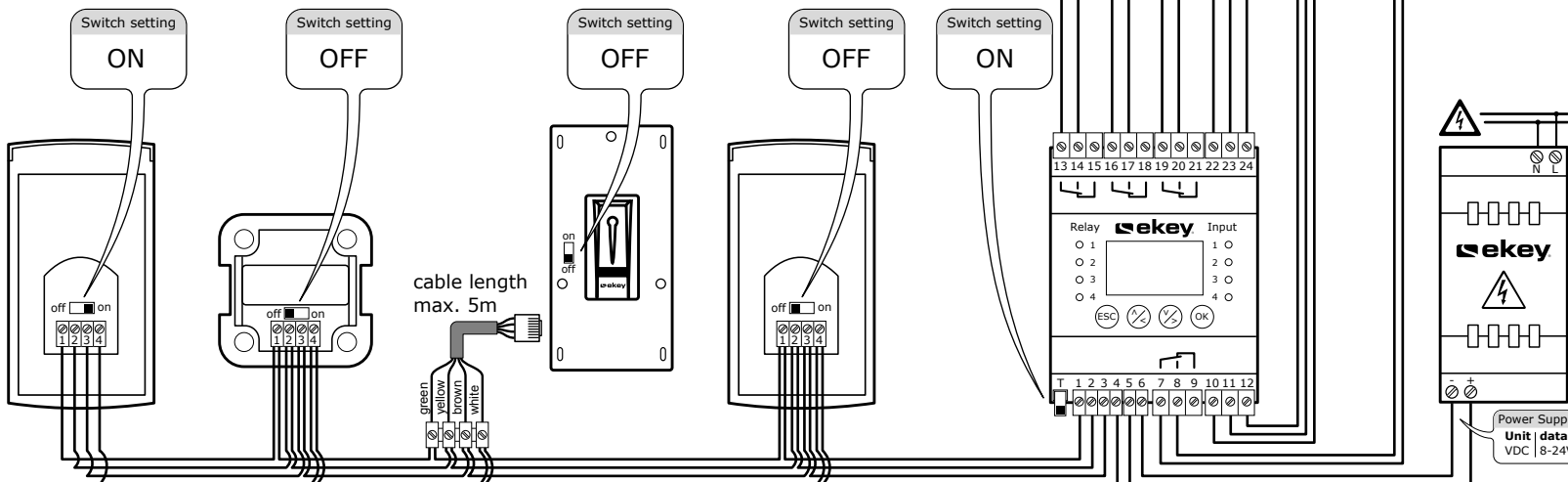


CABLE RECOMMENDATION

J-Y(ST)Y with 0.6 or 0.8mm²



⚠ Switch the termination of the **first and the **last** device in the RS485 bus line to "ON"**



PIN	DESCRIPTION
1	RS485 (Clamp 1)
2	RS485 (Clamp 2)
3	Power supply FS
4	Power supply FS
5	+VCC (8-24V DC)
6	-VCC
7	Relay 1 C (common)
8	Relay 1 NO (normally open)
9	Relay 1 NC (normally closed)
10	Input 1/2 common
11	Input 1 - potential-free!
12	Input 2 - potential-free!
13	Relay 2 C (common)
14	Relay 2 NO (normally open)
15	Relay 2 NC (normally closed)
16	Relay 3 C (common)
17	Relay 3 NO (normally open)
18	Relay 3 NC (normally closed)
19	Relay 4 C (common)
20	Relay 4 NO (normally open)
21	Relay 4 NC (normally closed)
22	Input 3/4 common
23	Input 3
24	Input 4