

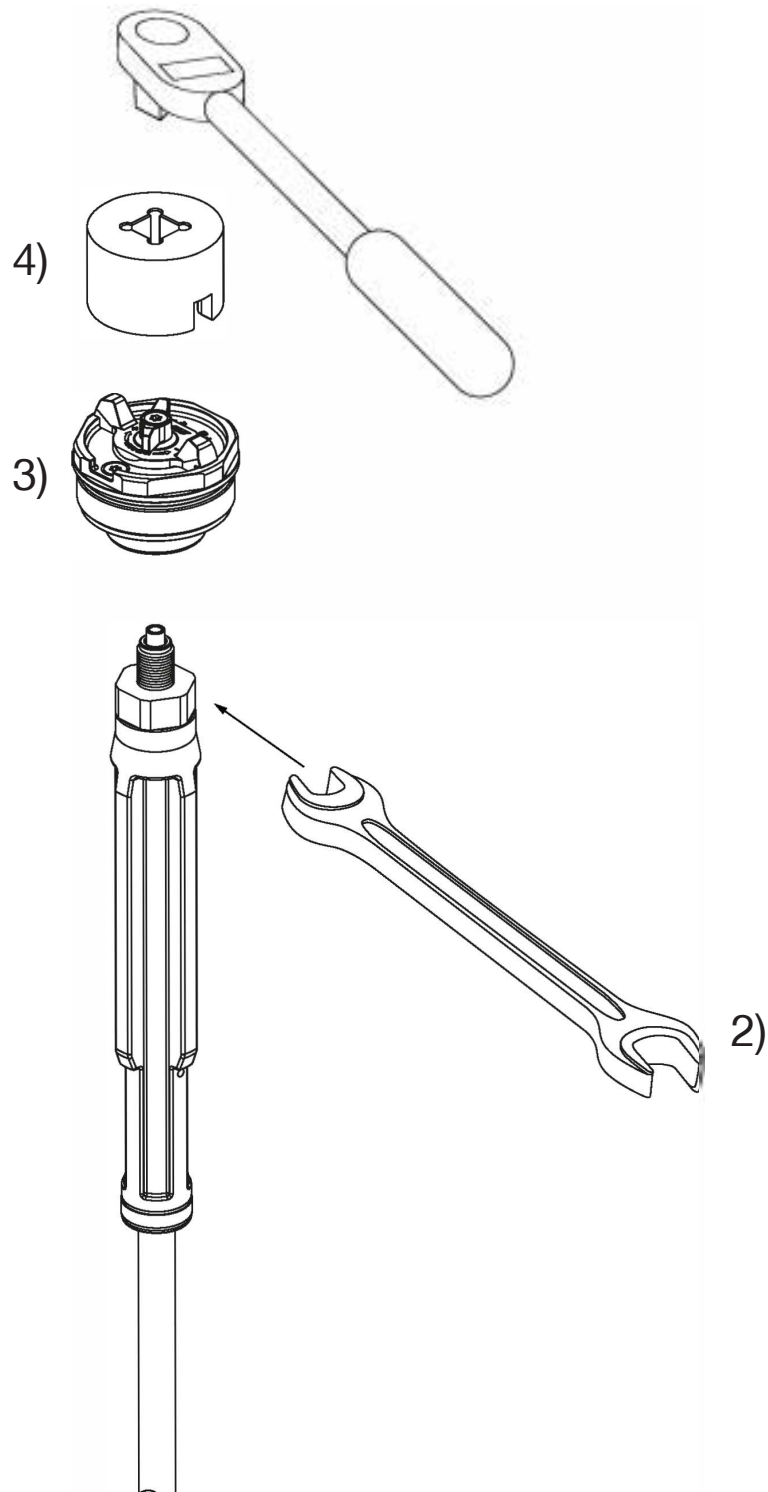
WP Xplor Preload Adjuster Set

PRELOAD ADJUSTER SET XPLOR 48
79701905000

Art.-Nr. 53000207



- 1) Screw off the standard screw cap.
- 2) Fix the spanner (SW 24) on the nut of the hydro stop.
- 3) Mount the preload adjuster cap on the piston rod and screw the cap on block (5Nm).
- 4) Put the WP special tool (T14087) on the cap and counter it with the spanner (25Nm).



05/2019

WP Suspension GmbH
5230 Mattighofen | Österreich
<http://www.wp-suspension.com>

WP
GET IN FRONT