

## How to change or adjust the gouger knife

Related products : Oboe gouger, bassoon gouger, and bagpipe gouger.

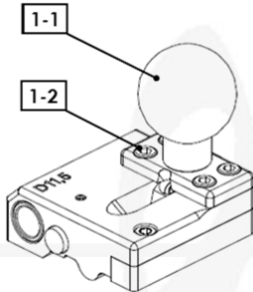


Image 1

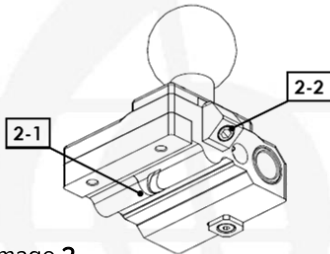


Image 2

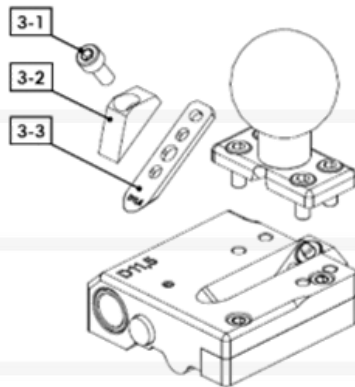


Image 3



### Warning

Never touch the cutting edge of the knife because it can cause injury.

To change the gouger knife follow steps 1 to 6, to adjust the gouger knife follow steps 4 to 6. Old version knives cannot be adjusted.

1. Remove handle set [1-1] by removing handle screws [1-2].
2. Remove knife screw [3-1], chip remover [3-2] and worn-out knife [3-3].
3. Install the new knife. The dowel pins in the knife pocket of the carriage set have to be in the first and third hole of the knife looking from the cutting edge of the knife.
4. Install the chip remover, knife screw, handle set, and handle screws.

5. Tighten the knife screw hand tight and adjust the knife with knife adjustment [2-2]. Start with minimal extension of the knife from carriage [2-1].
6. Gouge a piece of cane till you have a chip with full width and measure the thickness of the chip. The thickness should be :
  - a. About 0,08mm for the oboe gouger.
  - b. About 0,1mm for the bassoon or bagpipe gouger.
7. If the chip is too thick or too thin, repeat steps 4 and 5. If the chip thickness is good, tighten the knife clamp screw firmly.