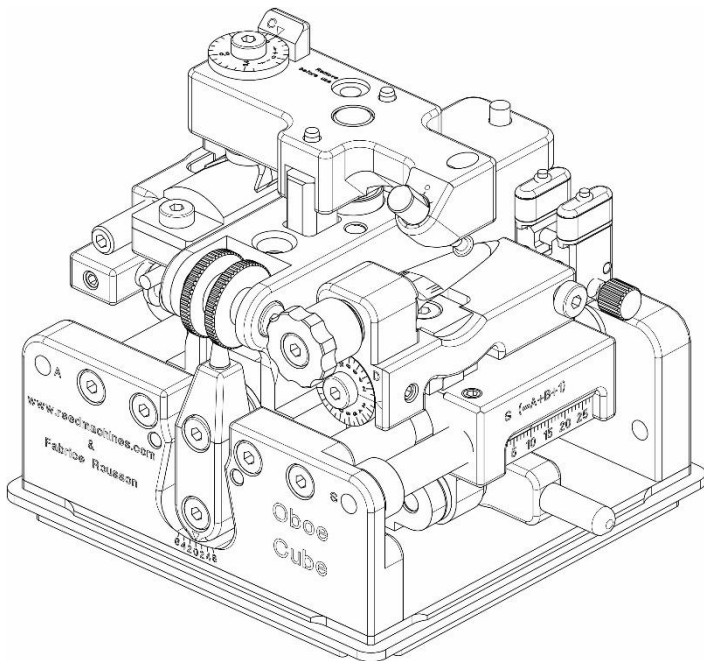


Oboe profiler manual



Preface

Copyright

The information in this manual is confidential between Reed Machines V.O.F. and the customer and stays the exclusive property of Reed Machines V.O.F. It is not permitted to reproduce this manual or make this manual available to third parties without prior written consent of Reed Machines V.O.F.

Copyright © 2021 by Reed Machines V.O.F. All rights reserved.

Disclaimer

Reed Machines V.O.F. can continue the development of their products, their components, and their documents like manuals without a notice to customers. Although Reed Machines V.O.F. tried to make this document correct and up to date, there can be errors. Tell us if you find errors or if you think information is missing. This information will help Reed Machines V.O.F. to increase the quality of this manual.

Contact information

You can contact Reed Machines at:

E-mail address: contact@reedmachines.com

Website: www.reedmachines.com

Or through a reseller. You can find contact information of resellers on the contact page of our website. See: www.reedmachines.com

Table of Contents

Preface	2
Copyright.....	2
Disclaimer	2
Contact information.....	2
1 About this manual	6
1.1 Purpose of this manual.....	6
1.2 Audience.....	6
1.3 Notation conventions.....	6
1.4 Chapters.....	7
1.5 Paragraphs.....	7
1.6 Images	7
1.7 Additional information	8
1.8 Environment	8
2 Introduction	9
2.1 Contents of the delivery	9
2.2 About the oboe profiler	10
2.3 Specifications.....	10
3 Safety information	11
3.1 Mechanical hazards	11
4 Description	12
4.1 Overview of the oboe profiler.....	12
4.2 General information.....	14
4.3 Working principle.....	14

4.4	Main components of the oboe profiler.....	14
4.4.1	Template set [4.1.1-1]	14
4.4.2	Carriage set [4.1.1-2]	15
4.4.3	Knife [4.1.3-1]	15
4.4.4	Connection set [4.1.1-3]	15
4.4.5	Base set [4.1.1-4]	15
4.4.6	Reed set [4.1.1-5]	16
4.4.7	Cover set [4.1.1-6]	16
4.4.8	Toolbox [4.1.1-7]	16
5	Basic actions	17
5.1	Make the oboe profiler ready to use	17
5.2	Put the carriage set in the scrape or park position	18
5.3	Put the template set and reed set in the middle position.....	19
5.4	Close or open the reed clamp set	20
5.5	Position or remove the stroke pin.....	21
5.6	Change the shape of the back of the scrape.....	22
5.7	Exchange the template.....	24
5.8	Change to a new part of the knife	26
5.9	Exchange a (worn-out) knife.....	27
5.10	Make the oboe profiler ready to store	28
6	Adjustments.....	30
6.1	Adjust the length of the tip (adjustment A)	30
6.2	Adjust the position of the back of the scrape (adjustment B)	32
6.3	Adjust the thickness of the scrape (adjustment C)	34
6.4	Adjust the thickness at the back of the scrape (adjustment D)	35
6.5	Adjust the length of the stroke (adjustment S)	36

6.6	Adjust the position of the reed clamp set.....	37
6.7	Adjust the end of scrape position.....	38
6.8	Adjust the profile in the cross direction	39
6.9	Adjust a scale disc.....	40
7	Operating instructions.....	41
7.1	Make a scrape movement	42
7.2	Make a cross movement	43
7.3	Position a reed	44
7.4	Remove a reed.....	45
7.5	Rotate a reed 180°	46
7.6	Scrape a new reed	47
7.7	Scrape a reed.....	48
7.8	Scrape a reed tip	49
7.9	Scrape only the sides or only the middle of a reed	50
8	Maintenance	51
8.1	Clean the oboe profiler	51
8.2	Store the oboe profiler	51
8.3	Lubrication of the oboe profiler	51

1 About this manual

1.1 Purpose of this manual

The purpose of this manual is:

- To describe the product.
- To explain adjustment, operating and maintenance procedures.
- To ensure good results and safety for the user and product.

1.2 Audience

The target audience for this manual is the user of the product. The procedures in this manual include the tasks for the operator in accordance with the operator and maintenance philosophy of Reed Machines V.O.F.

1.3 Notation conventions



Warning

Warns you about a situation that can cause serious injury. Obey this warning to prevent injury.



Caution

Gives information about a situation that can cause damage to the machine and/or reed. Obey this information to prevent damage.



Note

Gives more information about a topic.

1.4 Chapters

Chapters are defined by a chapter number. For example:

- 1 refers to chapter 1.

1.5 Paragraphs

Paragraphs are defined by a chapter number followed by an index number. Chapter and index numbers are separated by a point. For example:

- 1.4 refers to paragraph 4 of chapter 1.

1.6 Images

Images are defined by a paragraph number followed by an index number if a paragraph has more than 1 image. Paragraph and index numbers are separated by a point.

Details are defined by detail numbers which are preceded by a paragraph number and an index number if necessary. Image and detail numbers are separated by a dash.

Image numbers are represented in bold. In an image, details are indicated by a line that runs from the box around the detail number to the detail.

For example:

- **4.1.2** refers to image 2 of paragraph 4.1.
- **4.1.2-3** refers to detail 3 of image 2 of paragraph 4.1.
- **5.1** refers to the image of paragraph 5.1.
- **5.1-3** refers to detail 3 of the image of paragraph 5.1.

A number in a text that refers to an image or detail is enclosed in square brackets.

1.7 Additional information

Refer to the support section of the [Reed Machines](#) website for:

- Manuals and, if available, quick start guides of machines and tools.
- Reed Related Part (RRP) overviews of machines and tools.
- General information about Reed Machines and ordering.

Every effort has been made to make this manual as accurate and complete as possible. However, if you find any errors or omissions, it would be appreciated if these were brought to the attention of Reed Machines.

1.8 Environment

Reed Machines is committed to the environment. Please:

- Consider the environment before you print manuals, quick start guides, reed related part overviews or other documents.
- Dispose packing materials separated in an environment friendly way and in accordance with the rules.

2 Introduction

2.1 Contents of the delivery

The oboe profiler delivery contains the following:

- 1 oboe profiler with:
 - 1 standard template.
 - 1 knife.
- 1 stroke pin.
- 1 splitting knife.
- 1 Allen key 2mm.
- 1 Allen key 2,5mm.

**Warning**

Keep packing materials away from children.

**Note**

Contact your supplier in case of transport damage.

2.2 About the oboe profiler

The oboe profiler copies the geometry of a template to a reed. Depending on the template the oboe profiler can do this for all types of oboe reed.

Features of the oboe profiler:

- Unique compact design with a hard cover.
- Adjustments:
 - Length of the tip.
 - Length of the scrape.
 - Thickness of the scrape.
 - Thickness at the back of the scrape.
 - Position of the profile in the cross direction.
- Reed related adjustments have a designation character and a scale, so it is easy to switch between different settings.
- The back of the scrape can have multiple V or W shapes, or a straight shape.
- It is possible to:
 - Scrape only the tip of the reed.
 - Scrape only the sides or only the middle of the reed.
- The reed can be rotated 180° without taking the reed from the profiler.
- The template is exchangeable, multiple templates are available.
- The part for the back of the scrape shape is exchangeable, multiple parts for the back of the scrape shape are available.

2.3 Specifications

The oboe profiler has the following specifications:

- Maximum width of the tip: 11,5mm.
- Maximum length of the scrape: 30mm.
- Length: 100mm.
- Width: 100mm.
- Height: 100mm.
- Weight: 1,2kg.

3 Safety information

3.1 Mechanical hazards

Incorrect use of the oboe profiler can cause injury, malfunctioning, and damages. Always obey the following instructions.



Warning

Never position your fingers between the moving parts and the knife.

Never touch the cutting edge of the knife.



Caution

Use the oboe profiler on a horizontal and even surface to prevent that it slides away or falls.

Take care that the oboe profiler does not fall (for example from a table or shelf) because it can lead to malfunctioning and damages.

4 Description

4.1 Overview of the oboe profiler

Image 4.1.1

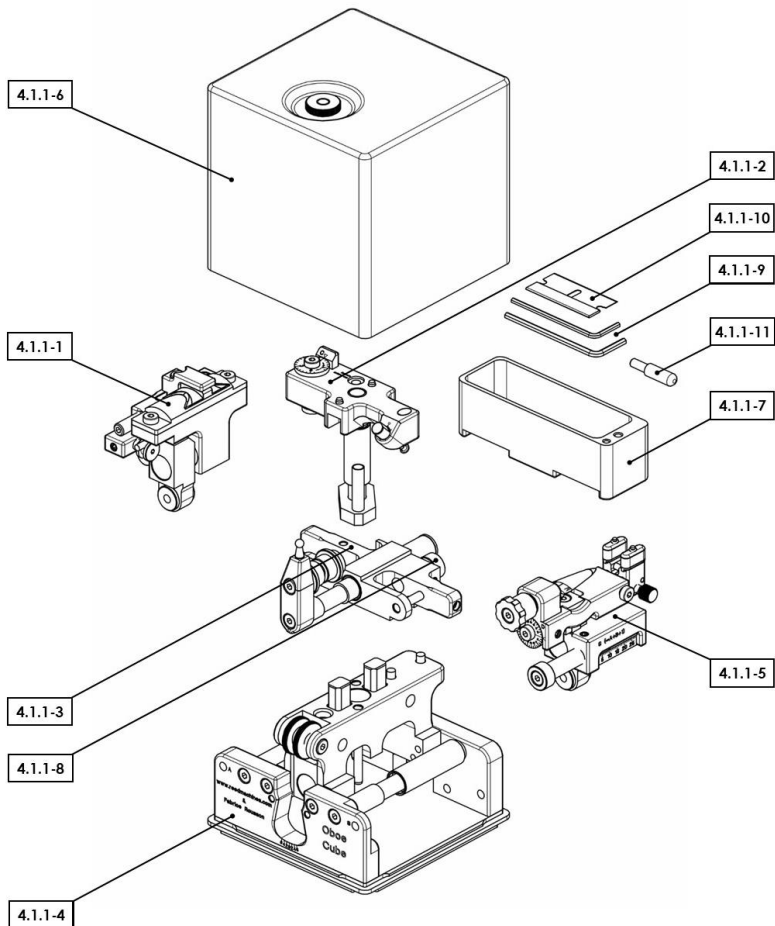


Image 4.1.2

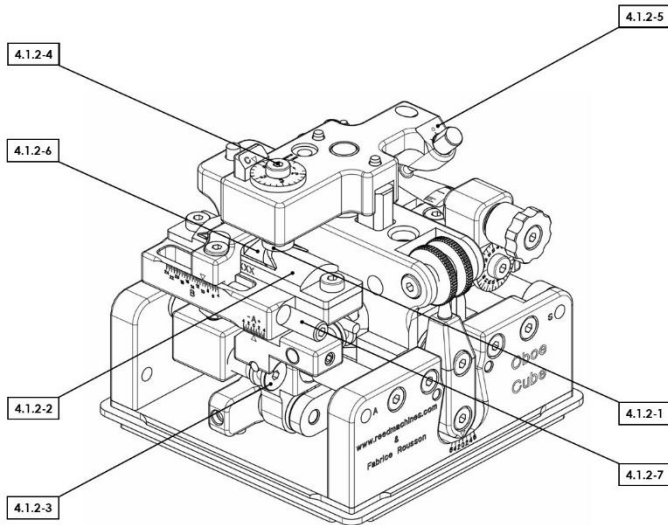
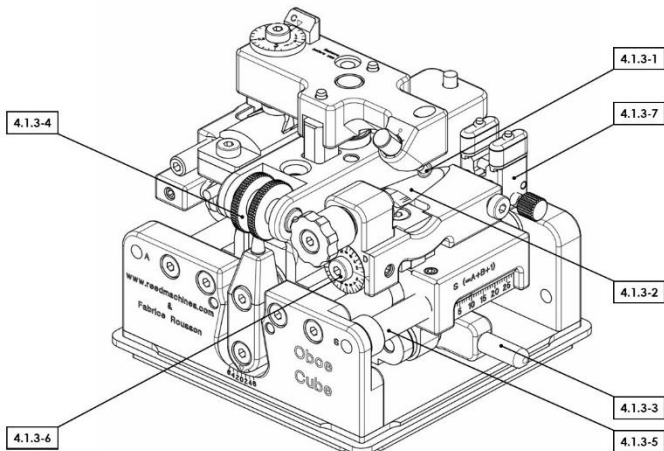


Image 4.1.3



4.2 General information

General information:

- Use the oboe profiler only for the intended use.
- Read this manual before you prepare, adjust, operate, or do maintenance on the oboe profiler.

4.3 Working principle

Ball element [4.1.2-1] copies the shape of template [4.1.2-2] and the shape of the back of the scrape part [4.1.2-6] through knife [4.1.3-1] to the reed that is positioned on reed holder [4.1.3-2].

The template, back of the scrape part and the reed are moved manually in the length and cross direction. While doing so the knife scrapes the complete reed. There is a scale for the cross movement which can be used to scrape only the sides or only the middle of the reed.

4.4 Main components of the oboe profiler

4.4.1 Template set [4.1.1-1]

The template set holds template [4.1.2-2] that defines the profile, back of the scrape part [4.1.2-6] that defines the shape of the back of the scrape, adjustment A [4.1.2-3] that defines the length of the tip and adjustment B [4.1.2-7] that defines the position of the back of the scrape. The length of the scrape is the value set for adjustment A plus the value set for adjustment B.



Note

Reed Machines can supply different standard templates, personal templates, and back of the scrape parts.

4.4.2 Carriage set [4.1.1-2]

The carriage set holds ball element [4.1.2-1] that scans template [4.1.2-2] and V-W shape part [4.1.2-6], knife [4.1.3-1] that scrapes the reed and adjustment C [4.1.2-4] that defines the thickness of the scrape. When the carriage set is pulled completely upwards it can be rotated 90° to the park or scrape position. The carriage set in the park position gives free view on, and access to, template set [4.1.1-1] and reed set [4.1.1-5].

4.4.3 Knife [4.1.3-1]

The knife scrapes the reed. The knife has a round shape of which only a part is used for scraping. When this part of the knife is worn out it can be rotated so a fresh part of the knife becomes active. The knife can be used in 8 positions which are defined by a scale on carriage [4.1.2-5]. The knife is made of an extremely hard corrosion resistant material. In normal use the knife has a lifetime of thousands of reeds.



Warning

Never touch the cutting edge of the knife.



Caution

The material of the knife is extremely hard, but it is also brittle. Take care not to hit the knife because chips can break out easily.

4.4.4 Connection set [4.1.1-3]

The connection set connects template set [4.1.1-1] to reed set [4.1.1-5] to ensure they make the same movement, and it holds end of stroke stop [4.1.1-8]. Stroke pin [4.1.3-3] is used to make the stroke movement. Control wheel [4.1.3-4] is used to make the movement in the cross direction.

4.4.5 Base set [4.1.1-4]

The base set is the fundament of the oboe profiler. It holds template set [4.1.1-1], carriage set [4.1.1-2], reed set [4.1.1-5], connection set [4.1.1-3] and

control wheel [4.1.3-4]. The control wheel is used to make the movement in the cross direction.

4.4.6 Reed set [4.1.1-5]

The reed set holds reed holder [4.1.3-2] with the 180° rotation function, adjustment S [4.1.3-5] for the length of the stroke, adjustment D [4.1.3-6] for the thickness at the back of the scrape and reed clamp set [4.1.3-7]. The reed holder supports the reed during scraping and acts as an anvil. The reed clamp set clamps the reed during scraping.

4.4.7 Cover set [4.1.1-6]

The cover set protects the profiler when it is not used or during transport like in a bag or suitcase. Beside this it prevents parts can come out of the toolbox [4.1.1-7].

4.4.8 Toolbox [4.1.1-7]

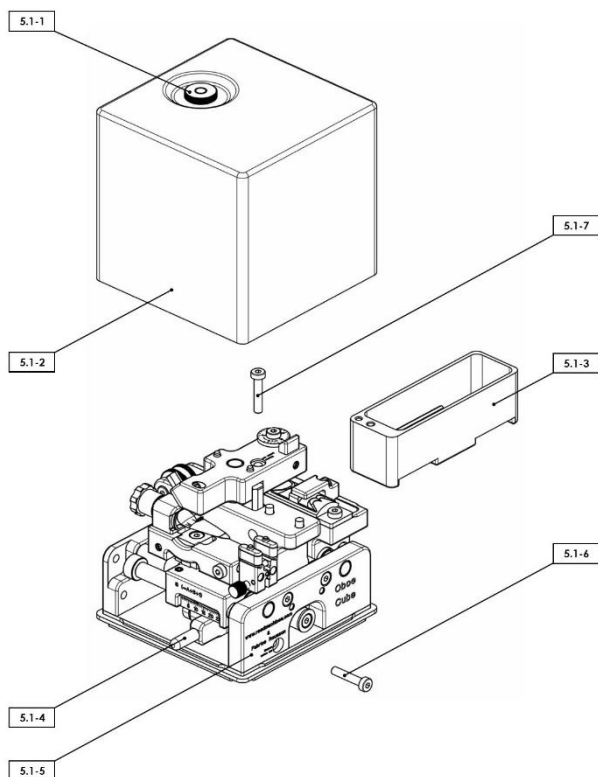
The toolbox contains Allen keys [4.1.1-9], reed splitting knife [4.1.1-10] and stroke pin [4.1.1-11]. Beside this it can be used to store transport screws [5.1-5] and [5.1-6] and other parts.

5 Basic actions

The oboe profiler comes with an Allen key 2mm and 2,5mm. Use Allen key 2,5mm if a screw must be tightened or untightened or an adjustment must be made. Allen key 2mm is only used for special screws and adjustments. Be careful to use Allen key 2mm because it can lead to malfunction of the profiler.

5.1 Make the oboe profiler ready to use

Image 5.1



To make the oboe profiler ready to use:

1. Untighten cover lock spindle [5.1-1].
2. Remove cover [5.1-2].
3. Remove toolbox [5.1-3].
4. Position the stroke pin (see paragraph 5.5).
5. Push stroke pin [5.1-4] to back plate [5.1-5] by a pinch force between the thumb and forefinger. While doing so remove transport screw [5.1-6] and slowly release the pinch force.
6. Remove transport screw [5.1-7].



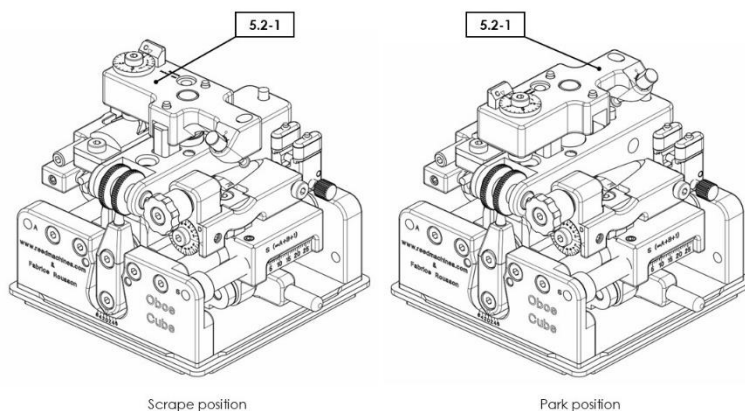
Note

Put the transport screws in the toolbox once they are removed to avoid losing them.

You can put the Allen keys in special holes in the side of the toolbox for easy access.

5.2 Put the carriage set in the scrape or park position

Image 5.2



For some actions it is necessary to put the carriage set in the scrape or park position.

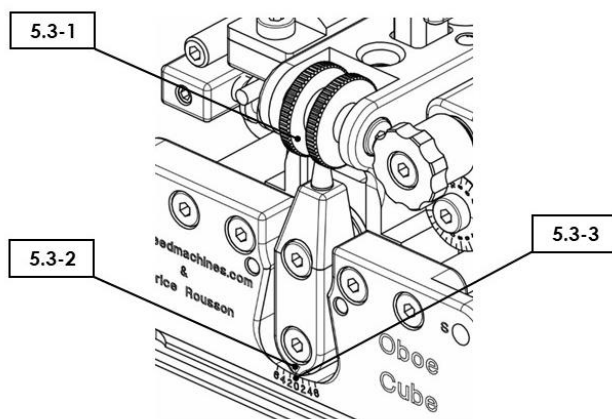
To put the carriage set in the scrape or park position:

1. Pull carriage set [5.2-1] up.
2. Turn the carriage set as far as possible clockwise (scrape position) or counterclockwise (park position).
3. Let the carriage set move down.

5.3 Put the template set and reed set in the middle position

For some actions it is necessary to put the template set, and reed set in the middle position. This position is reached when the lever is in the zero position.

Image 5.3



To put the template set and reed set in the middle position:

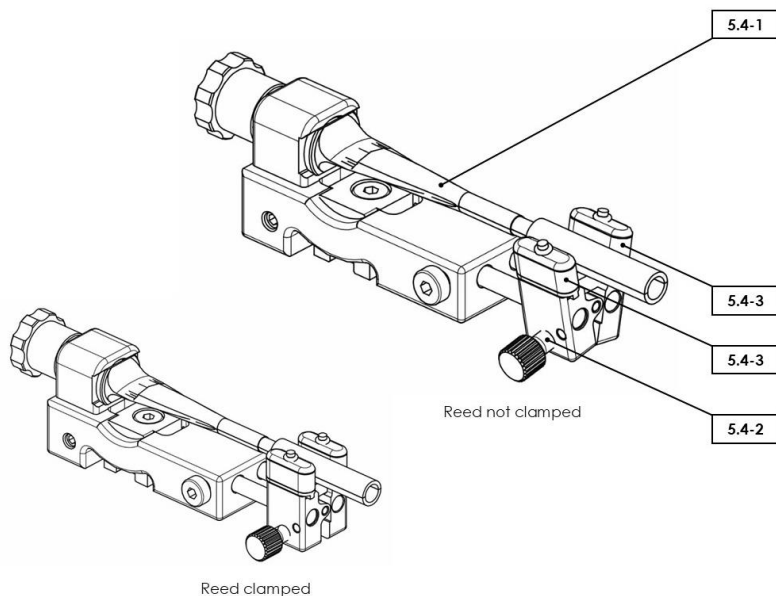
1. Turn control wheel [5.3-1] so mark [5.3-2] of the lever points to the zero mark [5.3-3] of the scale on the base set.

5.4 Close or open the reed clamp set

The reed is clamped by the reed clamp set so it will stay in position when it is scraped. The clamp force is defined by how far you turn the clamp spindle. After some experience you will know how much you must turn the clamp spindle to get enough clamp force.

How to position a reed is described in paragraph 7.3.

Image **5.4**



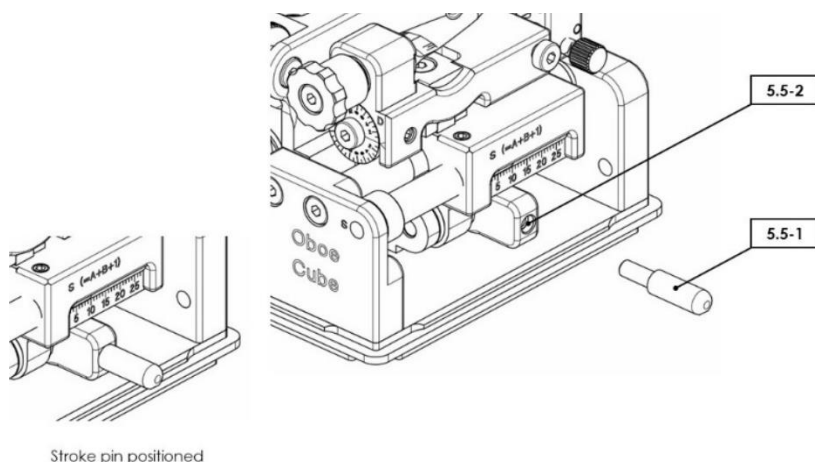
To close or open the reed clamp set:

1. When reed **[5.4-1]** is not clamped, turn clamp spindle **[5.4-2]** clockwise till the reed is clamped.
2. When the reed is clamped, turn the clamp spindle counterclockwise till the reed clamps **[5.4-3]** are opened more than the width of the reed tip.

5.5 Position or remove the stroke pin

The stroke pin is used to make a scrape movement. It is also possible to make a scrape movement without the stroke pin. In this case the thumb must be put directly on the connection block. Most people will use the stroke pin because there is little space around the connection block.

Image 5.5



Stroke pin positioned

To position or remove the stroke pin:

1. Put the template set and reed set in the middle position (see paragraph 5.3).
2. Turn stroke pin [5.5-1] clockwise into connection block [5.5-2] to position it.
3. Turn the stroke pin counterclockwise out of the connection block to remove it.



Note

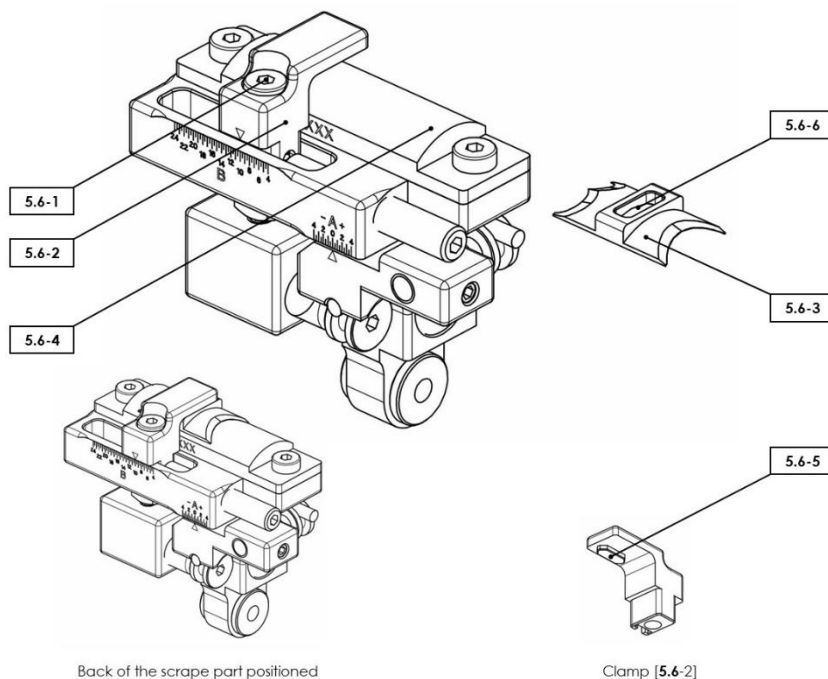
Put the stroke pin in the toolbox once it is removed to avoid losing it.

5.6 Change the shape of the back of the scrape

The back of the scrape can have multiple V or W shapes, or a straight shape. A back of the scrape part has 2 sides, each side has its own shape. The orientation of the back of the scrape part defines which of the 2 sides is used for the back of the scrape.

Please contact Reed Machines or a reseller for information about available back of the scrape parts.

Image **5.6**



To change the shape of the back of the scrape:

1. Put the carriage set in the park position (see paragraph 5.2).
2. Put the template set and reed set in the middle position (see paragraph 5.3).
3. Untighten clamp screw [5.6-1] 3 revolutions.

**Note**

3 revolutions are based on a tightened clamp screw.

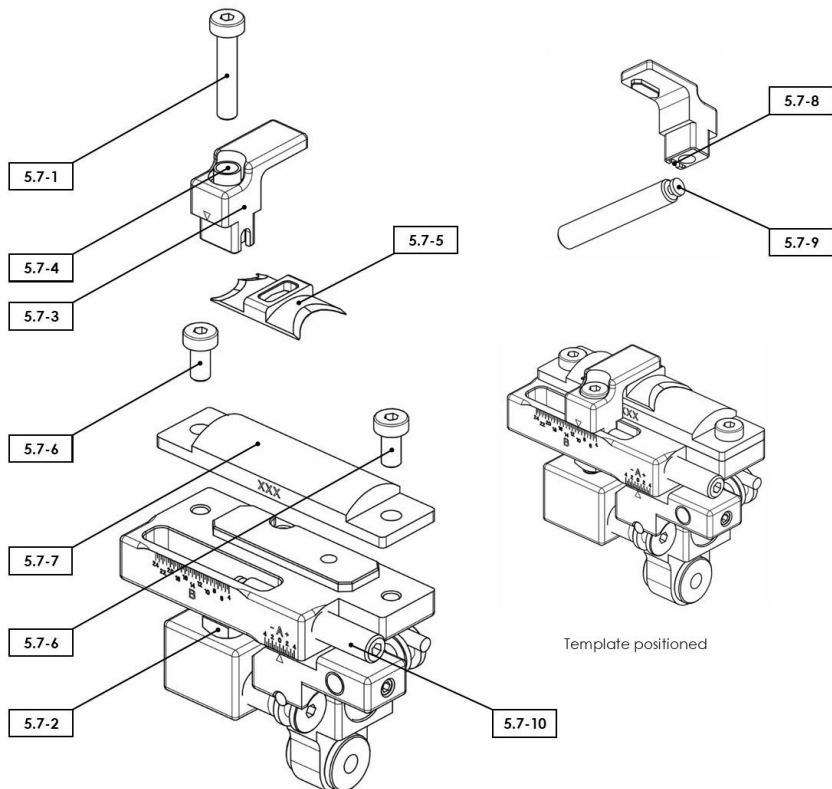
4. Pull up clamp [5.6-2].
5. Remove back of the scrape part [5.6-3].
6. Re-position the back of the scrape part or position another back of the scrape part. Position the side you want as shape for the back of the scrape in the direction of the profiled side of template [5.6-4].
7. Let the clamp go down so the notch [5.6-5] of the clamp slides in the chamber [5.6-6] of the back of the scrape part.
8. Tighten the clamp screw.
9. Put the carriage set in the scrape position (see paragraph 5.2).

5.7 Exchange the template

The oboe profiler works with standard and personal templates. Due to the unique adjustment possibilities most customers make their reeds based on one of the standard templates. We can make a personal template based on a scan of a reed that you send us.

Please contact Reed Machines or a reseller for information about available standard templates and personal templates.

Image **5.7**



To exchange the template:

1. Put the carriage set in the park position (see paragraph 5.2).
2. Put the template set and reed set in the middle position (see paragraph 5.3).
3. Remove clamp screw [5.7-1].

**Note**

Try to keep square nut [5.7-2] on its position. If this does not work, you must put the square nut back in line with the hole in clamp [5.7-3] before step 9.

4. Remove clamp [5.7-3] with spring [5.7-4] and back of the scrape part [5.7-5].
5. Remove template screws [5.7-6].
6. Remove template (5.7-7) and position another template.
7. Position the template screws.
8. Position the clamp and the spring.

**Note**

The clamp must be positioned with its slot [5.7-8] over head [5.7-9] of spindle [5.7-10].

9. Position the clamp screw.

**Note**

While you turn the clamp screw you must press on it against the spring force until it is in the square nut.

10. Position the back of the scrape part (see paragraph 5.6).
11. Put the carriage set in the scrape position (see paragraph 5.2).

5.8 Change to a new part of the knife

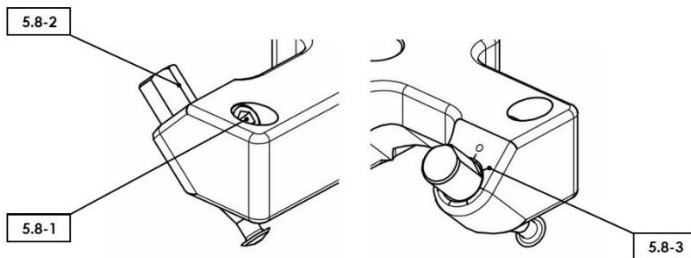


Warning

Never touch the cutting edge of the knife.

Only a small part of the knife is used during scraping. The knife is round so when a part of the knife is worn out a new part can be activated by turning the knife. The knife can be used in 8 positions.

Image 5.8



To change to a new part of the knife:

1. Put the carriage set in the park position (see paragraph 5.2).
2. Untighten knife screw [5.8-1] for 0,25 revolution.
3. Turn the knife with reference line [5.8-2] to the next mark of scale [5.8-3].
4. Tighten the knife screw.
5. Put the carriage set in the scrape position (see paragraph 5.2).

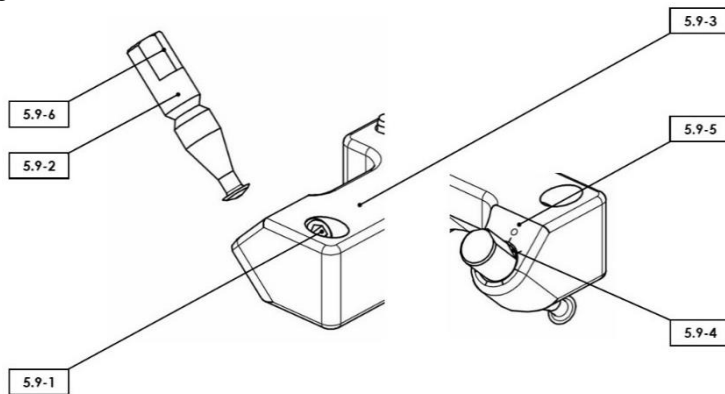
5.9 Exchange a (worn-out) knife



Warning

Never touch the cutting edge of the knife.

Image 5.9



To exchange a (worn-out) knife:

1. Put the carriage set in the park position (see paragraph 5.2).
2. Untighten knife screw [5.9-1] for 2 revolutions while holding knife [5.9-2].
3. Pull the (worn-out) knife out of carriage [5.9-3].
4. Position a new knife in the carriage with the flat surfaces [5.9-4] equal to the surface with the dot mark [5.9-5] and reference line [5.9-6] pointing to the dot mark.



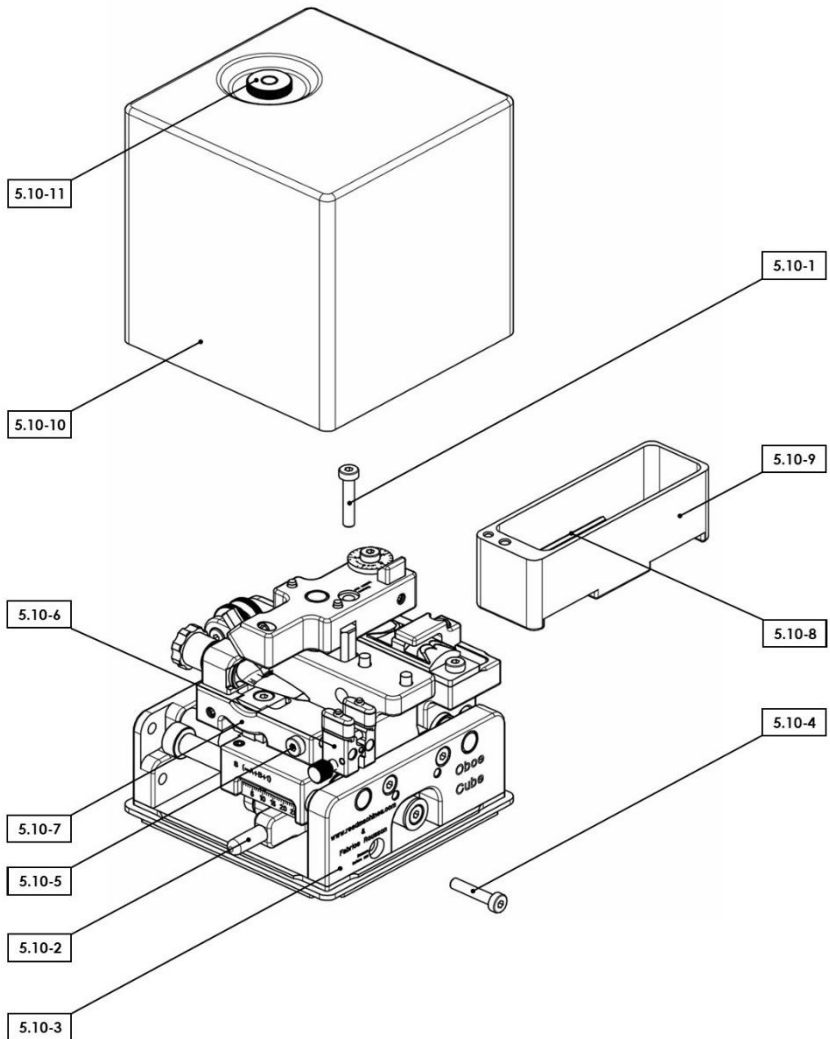
Caution

Be careful not to hit the cutting edge of the knife against a hard object because this can damage the knife.

5. Tighten the knife screw.
6. Put the carriage set in the scrape position (see paragraph 5.2).

5.10 Make the oboe profiler ready to store

Image 5.10



To make the oboe profiler ready to store:

1. Make the oboe profiler free of chips and make it dry.
2. Put the template set and reed set in the middle position (see paragraph 5.3).
3. Put the carriage set in the scrape position (see paragraph 5.2).
4. Screw transport screw [5.10-1] in the carriage set. This brings the carriage set in a lifted and safe position.
5. Move stroke pin [5.10-2] to back plate [5.10-3] by a pinch force between the thumb and forefinger and screw transport screw [5.10-4] in the connection block.
6. Remove the stroke pin (see paragraph 5.5).
7. Untighten clamp screw [5.10-5] for 0,5 revolution, position reed clamp set [5.10-6] against reed holder base block [5.10-7] and tighten the clamp screw.
8. Put Allen keys [5.10-8] and the stroke pin in toolbox [5.10-9] and position the toolbox on the oboe profiler.

**Note**

The toolbox must be positioned with its 2 holes in the bottom over the 2 pins of the base block of the oboe profiler.

9. Position cover [5.10-10] and tighten cover spindle [5.10-11].

6 Adjustments

The oboe profiler comes with an Allen key 2mm and 2,5mm. Use Allen key 2,5mm if a screw must be tightened or untightened or an adjustment must be made. Allen key 2mm is only used for special screws and adjustments. Be careful to use this Allen key because it can lead to malfunction of the oboe profiler.



Note

When in doubt we advise you to start with settings that leave too much cane on the reed and make little adjustments. In this way profiling a reed takes more time but you will lose less reeds.

Once you have experience with the oboe profiler you can make bigger and faster steps.

6.1 Adjust the length of the tip (adjustment A)

The oboe profiler copies the profile of the template to the reed. If adjustment A is set to "0", the length of the tip is equal to the length of the tip of the reed that was used to make the template. The length of the tip is adjustable from -4mm to +4mm.

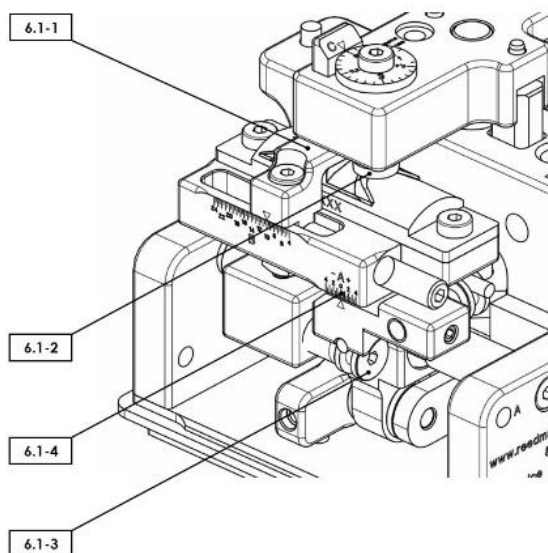
The length of the scrape is the length of the tip (value A) plus the position of the back of the scrape (value B) (see paragraph 6.2). For example:

- If $A = 0$, and $B = 10$, the length of the scrape is 10mm.
- If $A = +0,5$, and $B = 10$, the length of the scrape is 10,5mm.
- If $A = -0,5$, and $B = 10$, the length of the scrape is 9,5mm.

The length of the stroke (see paragraph 6.5) must be adjusted based on the length of the scrape (value A plus value B) because:

- The length of the scrape cannot be reached if the length of the stroke is too short.
- Clamp [6.1-1] hits ball element [6.1-2] every stroke if the length of the stroke is too long.

Image 6.1



To adjust the length of the tip (adjustment A):

1. Turn spindle A [6.1-3] clockwise to make the length of the tip shorter.
2. Turn spindle A counterclockwise to make the length of the tip longer.



Note

Use scale A [6.1-4] to see the change in the length of the tip. 1 digit is 0,5mm.

When in doubt start with a length of the tip that is too short.

6.2 Adjust the position of the back of the scrape (adjustment B)

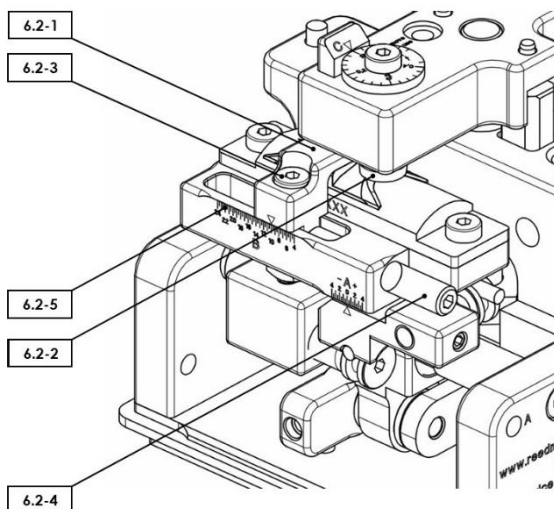
The length of the scrape is the length of the tip (value A) (see paragraph 6.1) plus the position of the back of the scrape (value B). For example:

- If $A = 0$, and $B = 10$, the length of the scrape is 10mm.
- If $A = +0,5$, and $B = 10$, the length of the scrape is 10,5mm.
- If $A = -0,5$, and $B = 10$, the length of the scrape is 9,5mm.

The length of the stroke (see paragraph 6.5) must be adjusted based on the length of the scrape (value A plus value B) because:

- The length of the scrape cannot be reached if the length of the stroke is too short.
- Clamp [6.2-1] hits ball element [6.2-2] every stroke if the length of the stroke is too long.

Image 6.2



To adjust the position of the back of the scrape (adjustment B):

1. Untighten clamp screw [6.2-3] for 0,25 revolution.
2. Turn spindle B [6.2-4] clockwise to move the back of the scrape away from the tip (the length of the scrape will become longer).
3. Turn spindle B counterclockwise to move the position of the back of the scrape towards the tip (the length of the scrape will become shorter).

**Note**

Use scale B [6.2-5] to see the position of the back of the scrape. 1 digit is 0,5mm.

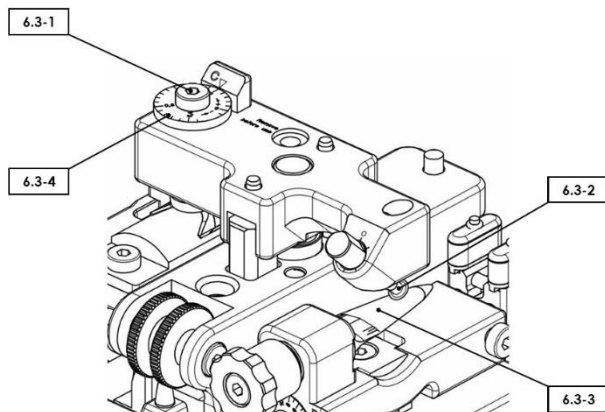
When in doubt start with a position of the back of the scrape that is too close to the tip

4. Tighten the clamp screw.

6.3 Adjust the thickness of the scrape (adjustment C)

How to adjust the scale disc of adjustment C is described in paragraph 6.9.

Image 6.3



To adjust the thickness of the scrape:

1. Turn spindle C [6.3-1] clockwise to make the scrape thicker.
2. Turn spindle C counterclockwise to make the scrape thinner.



Caution

Take care when you make the thickness of the scrape thinner. The thickness of the scrape can be set to zero or a negative value. This can cause damages to knife [6.3-2] and/or reed holder [6.3-3].



Notes

Use scale C [6.3-4] to see the thickness of the scrape. 1 digit is 0,02mm.

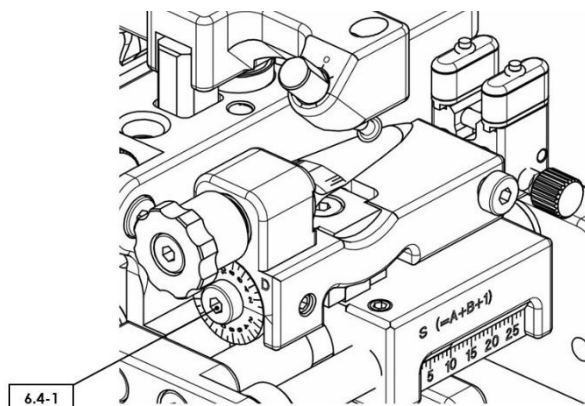
When in doubt start with a scrape that is too thick.

6.4 Adjust the thickness at the back of the scrape (adjustment D)

When the thickness at the back of the scrape is changed the thickness at the tip stays the same. The result is that the ratio between the amount of cane at the tip and the amount of cane at the back of the scrape is changed. This adjustment has a big influence on the character of the reed and makes it possible to personalize the reed to a high level.

How to adjust the scale disc of adjustment D is described in paragraph 6.9.

Image 6.4



To adjust the thickness at the back of the scrape (adjustment D):

1. Turn spindle D [6.4-1] clockwise to make the thickness at the back of the scrape thicker.
2. Turn spindle D counterclockwise to make the thickness at the back of the scrape thinner.



Note

When adjustment D is set to "0" the center line of the reed is parallel to the scrape movement.

When in doubt start with a high black value.

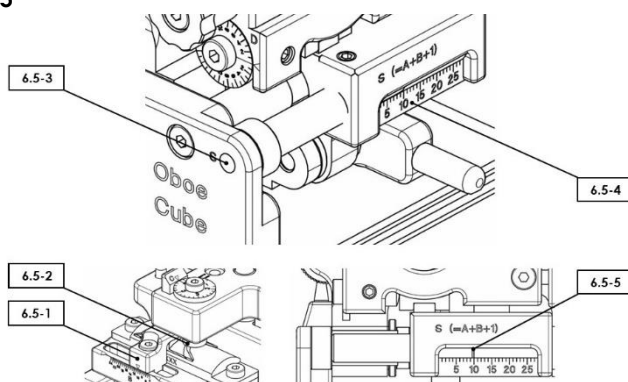
6.5 Adjust the length of the stroke (adjustment S)

The length of the stroke must be adjusted based on the length of the scrape (value A plus value B) because:

- The length of the scrape cannot be reached if the length of the stroke is too short.
- Clamp [6.5-1] hits ball element [6.5-2] every stroke if the length of the stroke is too long.

A guideline is to set the length of the stroke to value A + value B + 1. It can be longer, but you must be sure the clamp does not hit the ball element.

Image 6.5



To adjust the length of the stroke (adjustment S):

1. Turn spindle S [6.5-3] clockwise to make the stroke longer.
2. Turn spindle S counterclockwise to make the stroke shorter.



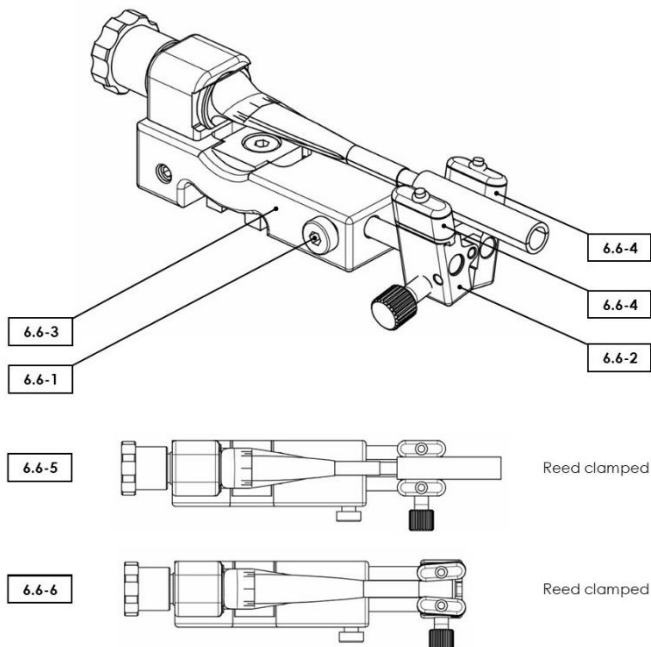
Note

Use scale S [6.5-4] to see the length of the scrape. The numbers represent the stroke in millimeter. 1 digit is 1 mm.

The back side of spindle S [6.5-5] is the pointer for the length of the scrape.

6.6 Adjust the position of the reed clamp set

Image 6.6



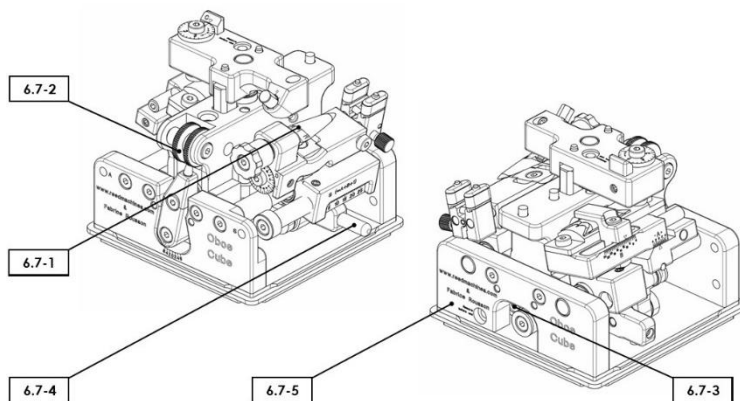
To adjust the position of the reed clamp set:

1. Position a reed (see paragraph 7.3).
2. Untighten clamp screw [6.6-1] for 0,5 revolution.
3. Move reed clamp set [6.6-2] out of or into reed holder base block [6.6-3] till the 2 reed clamps [6.6-4] are positioned depending on the type of the reed as shown in [6.6-5] and [6.6-6].
4. Tighten the clamp screw.

6.7 Adjust the end of scrape position

To be sure that the reed is completely scraped, the knife must be about 0,5mm beyond the reed tip, and so beyond reference line [6.7-1] of the reed holder, at the end of the scrape movement. This is a factory setting, in a normal situation it should not be needed to change this adjustment.

Image 6.7



To adjust the end of scrape position:

1. Turn control wheel [6.7-2] completely to the right so spindle [6.7-3] is accessible.
2. Move stroke pin [6.7-4] to back plate [6.7-5] by a pinch force between the thumb and forefinger.
3. Turn the spindle clockwise to move the end of scrape position further beyond the reed tip.
4. Turn the spindle counterclockwise to move the end of scrape position less beyond the reed tip.
5. Release the pinch force once the knife position is correct.



Note

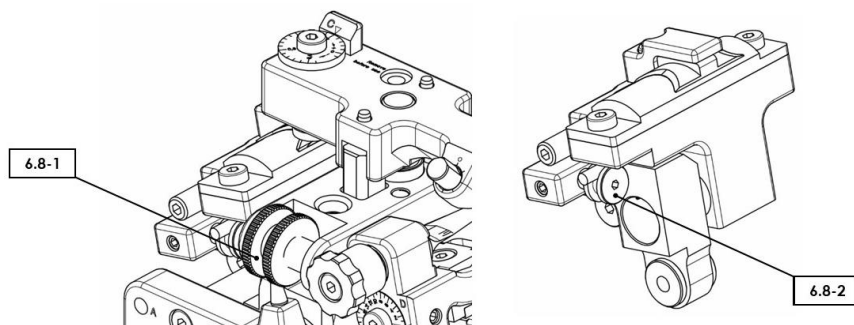
A visual estimation of the position of the knife is good enough. 1 revolution of the spindle is 1mm.

6.8 Adjust the profile in the cross direction

If the profile is on the right position the 2 sides of the scraped reed tip have the same thickness. If this is not the case the template has to be adjusted in the cross direction.

This is a factory setting, in a normal situation it should not be needed to change this setting. Because this is a critical adjustment it is not easily accessible and done with the Allen key 2mm.

Image 6.8



To adjust the profile in the cross direction:

1. Scrape a reed (see paragraph 7.7) but leave the reed tip too thick.
2. Remove the reed (see paragraph 7.4) and measure the thickness of the sides of the reed tip.
6. Turn control wheel [6.8-1] completely to the left so spindle [6.8-2] is accessible.
3. When the left side of the reed tip is thinner than the right side, turn the spindle clockwise.
4. When the right side of the reed tip is thinner than the left side, turn the spindle counterclockwise.


Note

This adjustment is sensitive. Turn the spindle only by 0,1 revolution a time and scrape the reed again to see the result.

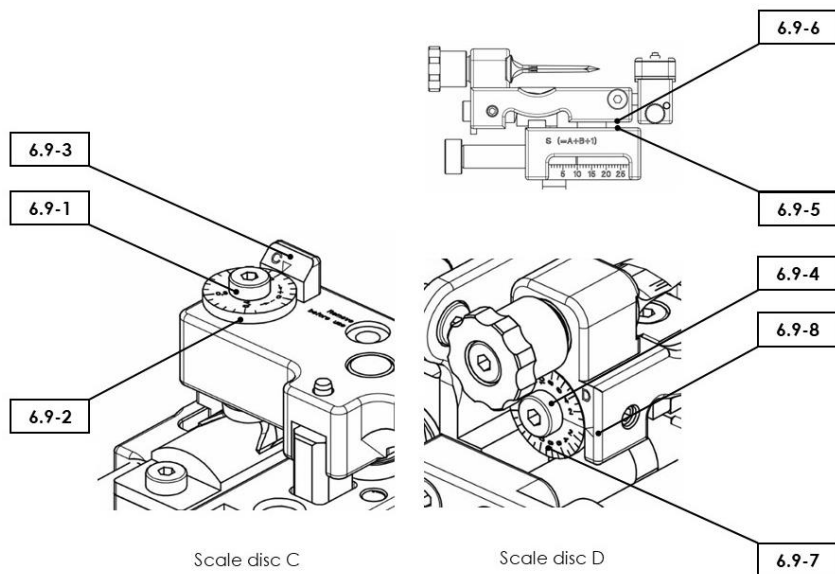
- Repeat step 1 to 4 until the sides of the reed tip are equal in thickness.

6.9 Adjust a scale disc

Due to manufacturing tolerances scale disc C and D are adjusted in the factory on the assembled oboe profiler.

For scale disc C (the thickness of the scrape) it can be necessary to re-adjust the scale disk when a template is exchanged (see paragraph 5.7).

Image 6.9



To adjust scale disc C:

1. Scrape a reed (see paragraph 7.7) but leave the reed tip too thick. By keeping the reed tip too thick you have less risk of losing a reed due to an incorrect positioned scale disc.
2. Remove the reed (see paragraph 7.4) and measure the thickness of the reed tip.
3. Hold spindle C [6.9-1] on its position with Allen key 2,5mm in one hand while turning scale disc C [6.9-2] with the thumb and forefinger of the other hand with the measured value to pointer [6.9-3].

To adjust scale disc D:

1. Turn spindle D [6.9-4] to a high white value.
2. Turn spindle D so the distance between base block surface [6.9-5] and reed holder base block surface [6.9-6] is 2mm.
3. Hold spindle D on its position with Allen key 2,5mm in one hand while turning scale disc D [6.9-7] with the thumb and forefinger of the other hand with the "0" value to pointer [6.9-8].

7 Operating instructions

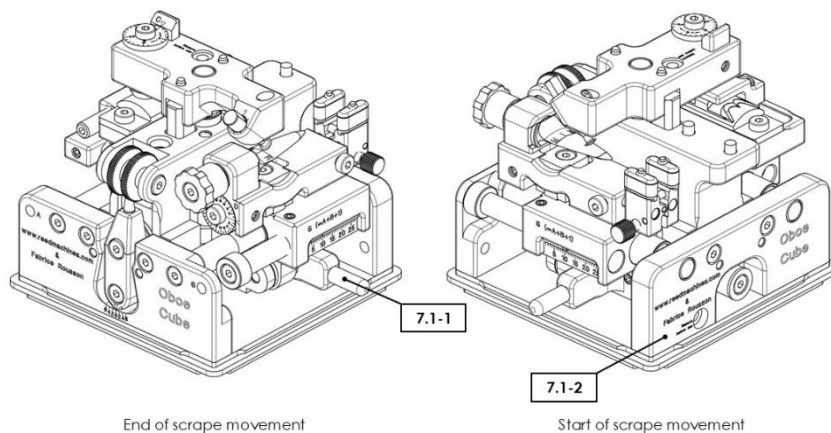
Scraping a reed is a repeating and well-timed combination of a scrape movement (see paragraph 7.1) and a cross movement (see paragraph 7.2). Mastering this technique can take some time.

The descriptions in this chapter assume that:

- The oboe profiler is on a horizontal and even surface.
- The oboe profiler is ready to use (see paragraph 5.1).
- The stroke pin is positioned (see paragraph 5.5).
- The reed clamp set is on the right position (see paragraph 6.5).
- The tip of the reed is open.
- The reed is wet.

7.1 Make a scrape movement

Image 7.1

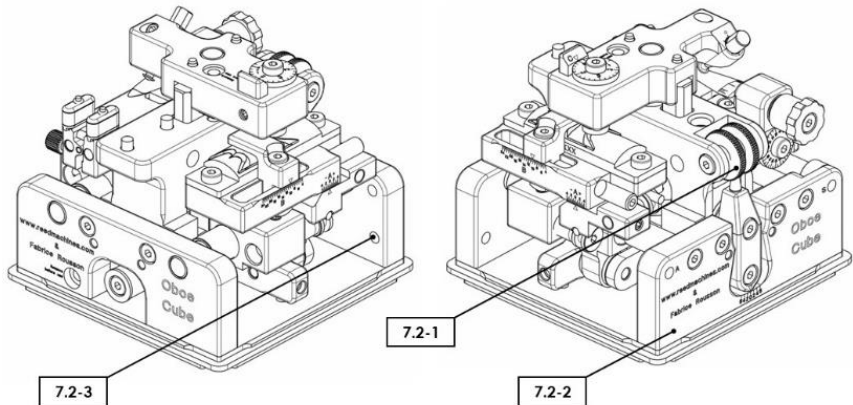


A scrape movement is made by a pinch force between the thumb and forefinger of the right hand. During the scrape movement the thumb is on stroke pin [7.1-1] and the forefinger is on back plate surface [7.1-2].

The pinch force between the thumb and forefinger will move the template set and reed set to the end of the scrape position. Releasing the pinch force will move the template set and reed set back to the start of the scrape position.

7.2 Make a cross movement

Image 7.2



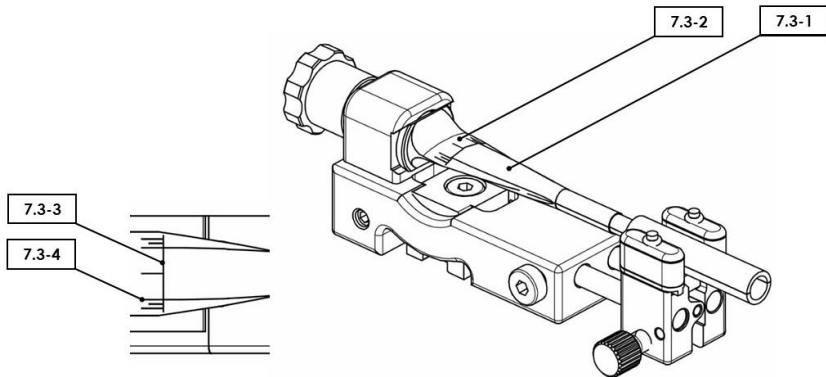
A cross movement is made with the thumb of the left hand while the oboe profiler is held in place by keeping the front plate between the forefinger and middle finger of the left hand. The thumb turns control wheel [7.2-1], the forefinger is on front plate surface [7.2-2] and the middle finger on front plate surface [7.2-3].

Every time the control wheel is turned the reed moves in the cross direction. Once the knife is outside the reed the control wheel must be turned in the opposite direction.

7.3 Position a reed

It is assumed there is no reed on the oboe profiler.

Image 7.3

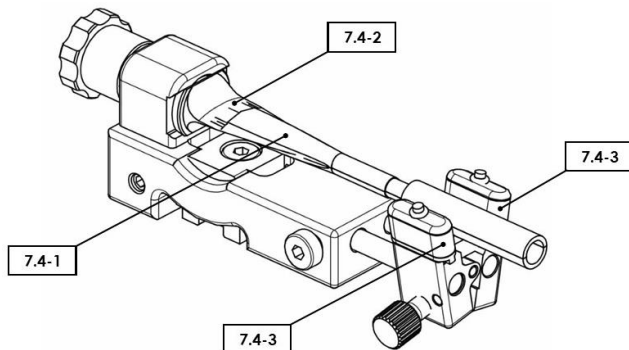


To position a reed:

1. Put the carriage set in the park position (see paragraph 5.2).
2. Put the template set and reed set in the middle position (see paragraph 5.3).
3. Open the reed clamp set (see paragraph 5.4).
4. Position reed [7.3-1] over reed holder [7.3-2] with the reed tip exactly at reference line [7.3-3] and exactly between equal width-lines [7.3-4].
5. Put the forefinger of the left hand on the reed tip and close the reed clamp set (see paragraph 5.4).
6. Put the carriage set in the scrape position (see paragraph 5.2).

7.4 Remove a reed

Image 7.4



To remove a reed:

1. Put the carriage set in the park position (see paragraph 5.2).
2. Put the template set and reed set in the middle position (see paragraph 5.3).
3. Open the reed clamp set (see paragraph 5.4).
4. Pull reed [7.4-1] from reed holder [7.4-2].

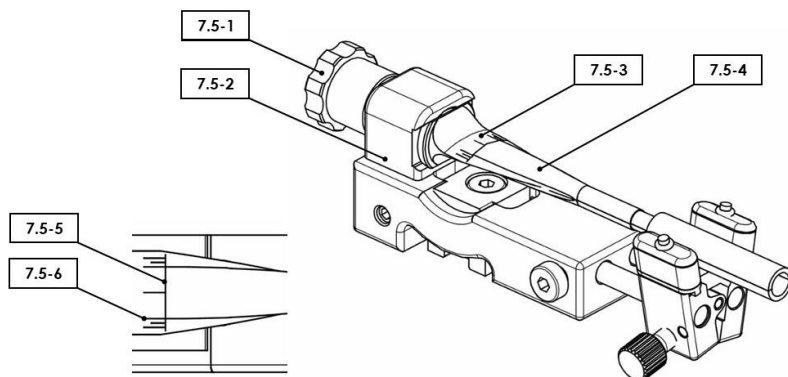


Note

Take care not to hit the reed clamps [7.4-3] with the sides of the reed tip because they can get damaged.

7.5 Rotate a reed 180°

Image 7.5



To rotate a reed 180°:

1. Put the carriage set in the park position (see paragraph 5.2).
2. Put the template set and reed set in the middle position (see paragraph 5.3).
3. Open the reed clamp set (see paragraph 5.4).
4. Make a scrape movement (see paragraph 7.1) and keep it blocked at the end of scrape position until step 7.
5. Push knob [7.5-1] against reed holder base block [7.5-2].
6. Turn the knob (and so reed holder [7.5-3] and reed [7.5-4]) 180°.



Caution

Be sure the carriage set is in the park position (see paragraph 5.2). If the carriage set is not in the park position, turning the reed will damage the knife, reed holder and/or reed.

7. Let the knob move back to its original position.

**Note**

Be sure the reed tip is still exactly at reference line [7.5-5] and exactly between equal width-lines [7.5-6] before you go to step 8. If needed you must reposition the reed.

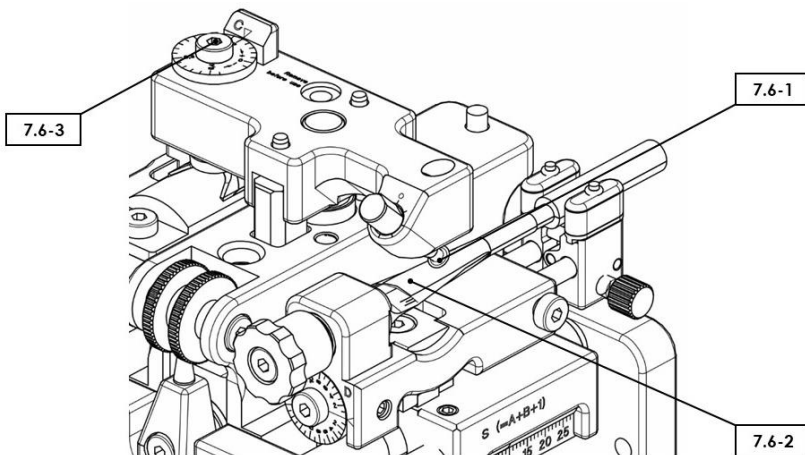
7. Put the forefinger of the left hand on the reed tip and close the reed clamp set (see paragraph 5.4).
8. Put the carriage set in the scrape position (see paragraph 5.2).

7.6 Scrape a new reed

A new reed has a lot of material which must be taken away. For the first scrape movement this results in high scrape forces with the risk to damage the reed or pull the reed from its position.

To prevent these high forces, you must start to scrape a new reed as described below.

Image 7.6



To scrape a new reed:

1. Position a reed (see paragraph 7.3).
2. Make a slow scrape movement (see paragraph 7.1). If knife [7.6-1] scrapes reed [7.6-2] turn spindle B [7.6-3] clockwise until the knife does not scrape the reed during the complete scrape movement.
3. Make repeating scrape movements while slowly turning spindle B counterclockwise to a thickness of the scrape of 0,2mm more than the final tip thickness.
4. Scrape the reed (see paragraph 7.7).

**Note**

You must follow this instruction for both sides of a new reed.

7.7 Scrape a reed

A scraped reed is the result of scrape and cross movements in several depth steps on both sides of the reed. How big or small the movements and depth steps must be, depends on the cane properties, the phase of the scraping process and personal preferences.

After some experience with the oboe profiler, you will find the method that suits you best. Guidelines for the scraping process are:

- Make 2 to 4 scrape and cross movements per second.
- Make cross movements of about 0,1 revolution.
- Scrape the reed in 2 to 4 depth steps if the result is known.
- Scrape the reed in multiple depth steps if the result is unknown with smaller steps when you are getting closer to a good reed.

To scrape a reed:

1. Position a reed (see paragraph 7.3).



Caution

Be sure the adjustments are on the right value or a value that leaves too much cane. If this is not the case the reed will be faulty.

It is possible to set adjustments to values where the knife and reed holder can be damaged.

2. Make repeating scrape movements (see paragraph 7.1) while making cross movements (see paragraph 7.2) to the **right** until the reed is not under the knife anymore.
3. Make repeating scrape movements (see paragraph 7.1) while making cross movements (see paragraph 7.2) to the **left** until the reed is not under the knife anymore.
4. Make repeating scrape movements (see paragraph 7.1) while making cross movements (see paragraph 7.2) to the **right** until the lever is at the "0" position.
5. Rotate the reed 180° (see paragraph 7.5).
6. Repeat steps 2 till 4.

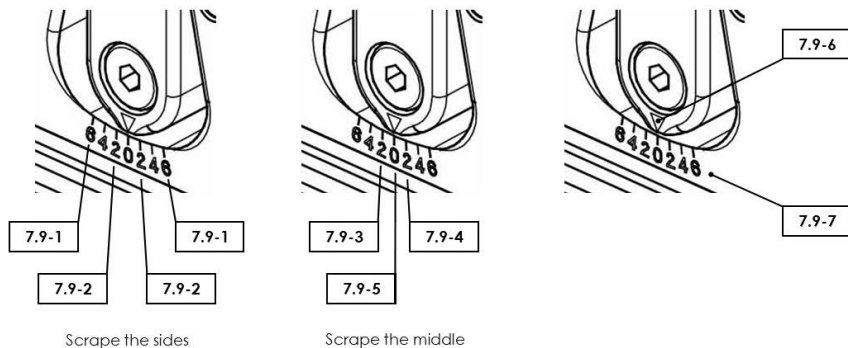
7.8 Scrape a reed tip

If the length of the stroke (see paragraph 6.5) is set to small values like 1mm or 2mm it is possible to scrape only the tip of a reed.

The scrape process is the same as described in scrape a reed (see paragraph 7.7).

7.9 Scrape only the sides or only the middle of a reed

Image 7.9



If the cross movement is done from both outsides [7.9-1] till a certain position [7.9-2], it is possible to scrape only the sides of a reed.

If the cross movement is done from a position [7.9-3] till the same position [7.9-4] on the other side of the "0" mark [7.9-5], it is possible to scrape only the middle of a reed.

The position of the cross movement is read by pointer [7.9-6] and scale [7.9-7].

The scraping process is the same as described in scrape a reed (see paragraph 7.7).

8 Maintenance

8.1 Clean the oboe profiler

Frequently remove/blow the chips from the oboe profiler to avoid that chips accumulate in the oboe profiler. An accumulation of chips can result in poor movements or blocked parts.

Because reeds are profiled wet some parts of the oboe profiler can become wet. Make these parts dry with a soft cloth.

8.2 Store the oboe profiler

To store the oboe profiler:

1. Clean the oboe profiler (see paragraph 8.1).
2. Make the oboe profiler ready to store (see paragraph 5.10).
3. Store the oboe profiler in a dry and safe place.



Caution

Be careful not to let the oboe profiler fall (for example from a table or shelf) as this can cause malfunctions and damages.

8.3 Lubrication of the oboe profiler

The bearings and guides are pre-lubricated or lubricated during the assembly process. There is no need for additional lubrication.