



bugaboo bee⁵
user guide
mode d'emploi
manual de instrucciones

bugaboo[®] bee⁵






	2	EN
	16	FR
	32	ES

contents





introduction

in the boxes	04
user guide visual language	07
meet the Bugaboo Bee ⁵	08
warnings	10
maintenance tips	12
cleaning the fabrics	13
warranty	13
replaceable parts	15
contact	15

setting up the Bugaboo Bee⁵

	assembling the chassis - attaching the swivel wheels and unfolding	46
	attaching the wheel caps	47
	attaching the handlebar grips	50
	assembling the seat	53
	assembling and attaching the sun canopy	58

using the Bugaboo Bee⁵

	using the brake	60
	adjusting the handlebar	61
	using the sun canopy	62
	using the seat	66

	using the harness	73
	one piece folding with seat facing the world	75
	one piece folding with seat facing the parent	77
	using the wrist strap	79
	locking/unlocking the swivel wheels	80
	removing the wheels	82
	removing the under seat basket	84
	removing the seat fabric	86
	removing the handlebar grips	89
	removing the wheel caps	92
	using the rain cover	93

EN

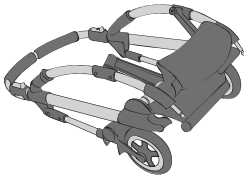
FR

ES

in the boxes

Take a minute to check the contents of your packages. If something is missing, please contact your retailer.

1



chassis



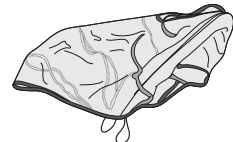
seat



sun canopy wires
& clamps



swivel wheels



rain cover

2

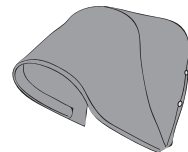
* The seat fabric is sold separately.



seat fabric

3

* The canopy is sold separately.



sun canopy

4

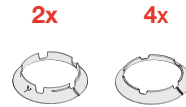
* The handlebars grips are sold separately.



handlebar grips

5

* The wheel caps are sold separately.



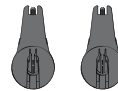
wheel caps

6

* The bassinet base and adapters are sold separately.



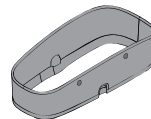
bassinet base



adapters

7

* The bassinet wall and apron are sold separately.



bassinet wall



apron

user guide visual language

In this user guide we make use of a visual language. Below you can find the meaning of all visuals used.

EN

FR

ES



visual check OK



visual check wrong



audible click



movement in the indicated direction



instructions continue on next page

3x

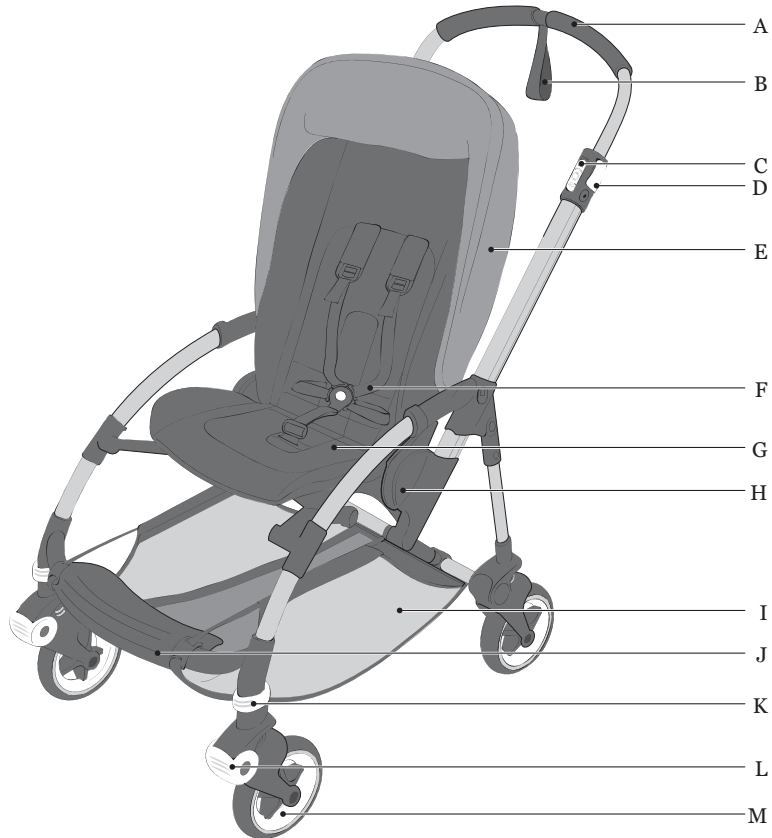
repeat action on similar part(s)



Some instructions require special attention for ensuring the safe use of the Bugaboo Bee⁵. When you see this symbol in the instructional part of the user guide, please refer to the warnings in the "WARNINGS" chapter.

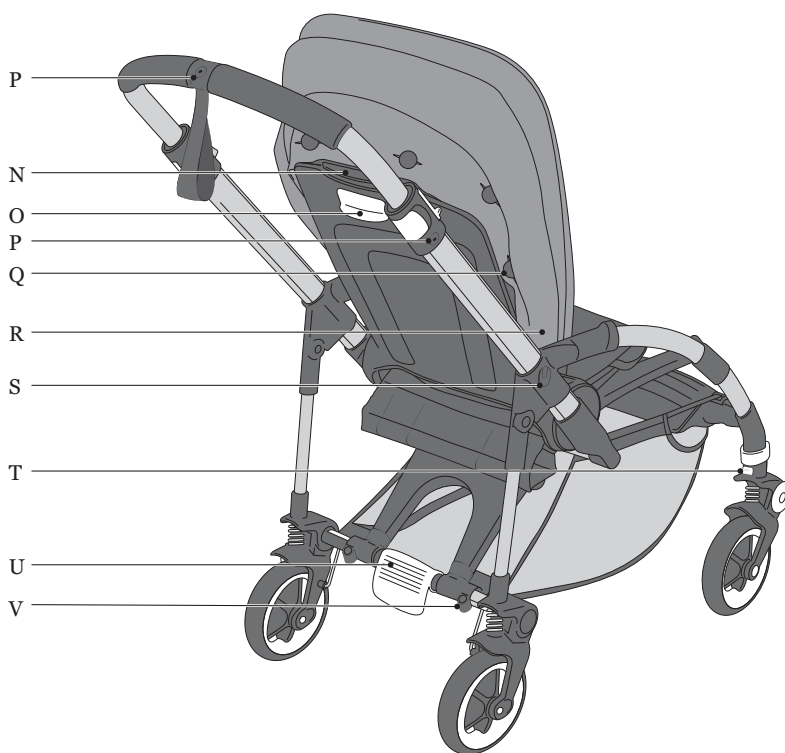
meet the bugaboo bee⁵

All the white parts of your Bugaboo Bee⁵ are functional. They're the parts that allow you to adapt and change your Bugaboo Bee⁵.



- A. handlebar grips
- B. wrist strap
- C. folding lock
- D. handlebar adjustment clip
- E. sun canopy
- F. harness
- G. seat

- H. seat disc
- I. underseat basket
- J. footrest
- K. wheel lock
- L. knee cap
- M. swivel wheels



N. extendable backrest handle

O. backrest adjustment lock

P. integrated attachment point (cupholder)

Q. sun canopy buttons

R. sun canopy clamp holder

S. integrated attachment point (parasol)

T. swivel wheel release button

U. brake

V. integrated attachment point
(comfort wheel board)



WARNINGS

I. GENERAL

1. IMPORTANT - Read the instructions carefully before use and keep for future reference.
2. Failure to follow these warnings and the instructions could result in serious injury or death.
3. NEVER leave child unattended.
4. Ensure that all the locking devices are engaged before use.
5. Do not use if any part of the product is broken, torn or missing.
6. Only use accessories and replacement parts supplied or recommended by the manufacturer/distributor.
7. To avoid injury ensure that your child is kept away when unfolding and folding this product.
8. Care must be taken when folding and unfolding the product to prevent finger entrapment.
9. Do not let your child play with this product.
10. Use a harness as soon as your child can sit unaided.
11. Always use the restraint system.
12. This product is not suitable for running or skating.
13. Always use the safety features of your Bugaboo Bee³, including locking devices, brake, the harness (when child is in the seat) and the wrist strap attached to the handlebar. Check and maintain all safety features frequently.
14. Do not place bags or luggage on the handlebar and/or on the back of the backrest and/or on the sides of the stroller as the stroller may become unstable.
15. Accessory items placed on the unit may cause the unit to become unstable.
16. Use the wrist strap to stop the stroller rolling away.
17. For any child unable to maintain an unaided sitting position the backrest should only be used in the fully reclined position.
18. Do not use the sun canopy in the extended position in combination with the rain cover. Suffocation hazard.
19. Care must be taken when folding and unfolding the product to prevent finger entrapment.
20. Do not take your stroller on the escalator.

21. It is possible that on floors such as synthetic laminates, parquet, linoleum and carpet (organic surface floors), rubber black tires may leave permanent marks. Should you have a floor as mentioned above we recommend to be careful with indoor usage.
22. Do not use the adapters sold with Bugaboo Cup holder, Bugaboo parasol or a Bugaboo comfort wheeled board on the Bugaboo Bee⁵. Always attach the accessory directly to the stroller using the stroller integrated attachment points.
23. Always check the accessory user guide when using the integrated attachment points.
24. Handlebar grips must be attached and locked correctly before use.
25. Seat fabric must be installed over the seat foam before use.
26. Always make sure that the wheel caps are attached correctly before use.

II. RECOMMENDED WEIGHTS AND HEIGHT

27. The Bugaboo Bee⁵ is suitable for children from 0 to 36 months (17 kg / 37.5 lbs).
28. Maximum weight of the under seat basket is 4 kg (8.8 lbs).
29. Use only manufacturer recommended weights in the under seat basket otherwise the stroller may become unstable.
30. Any load attached to the handlebar and/or on the back of the backrest and/or on the sides of the stroller will affect the stability of the stroller.
31. This vehicle is intended for use by only one child.

III. USING THE SEAT ON THE CHASSIS

32. Always use the harness.
33. Always use the crotch strap in combination with the waist belt.
34. The Bugaboo Bee⁵ seat unit is suitable for children from 0 to 36 months (17 kg / 37.5 lbs). Use the most reclined position of the seat for new born babies.
35. Avoid serious injury from falling or sliding out. Always use the harness.
36. Strangulation Hazard: Children have STRANGLED in loose or partially buckled harness straps. Fully restrain the child at all times.



Some instructions require special attention for ensuring the safe use of the Bugaboo Bee⁵. When you see this symbol in the instructional part of the user guide, please refer to the warnings in the "WARNINGS" chapter.

important information

- Check the safety of the Bugaboo Bee⁵ before each use. Ensure that the seat fabric, the brake and the safety belts are all working properly, the handlebar is locked and that the seat is fitted correctly to the chassis.
- Check to see if the Bugaboo Bee⁵ is damaged. You should ensure that any damaged or worn parts are repaired immediately.
- To ensure completely safety for your child do not use the Bugaboo Bee⁵ until any damaged or worn parts have been repaired or replaced.
- The Bugaboo Bee⁵ seat unit (no. 510250) should only be used with the Bugaboo Bee⁵ chassis (no. 500210AL01 or 500210ZW01). Do not use Bugaboo Bee⁵ parts or components with any non-approved pushchair, other device or any other Bugaboo product.
- Do not use the Bugaboo Bee⁵ near open flames or other sources of heat. Avoid exposing the Bugaboo Bee⁵ to extreme temperatures.
- The Bugaboo Bee⁵ is not resistant to salt water.
- Avoid Velcro contact to the Bugaboo Bee⁵ fabrics.

maintenance tips

These tips will help you take care of your Bugaboo Bee⁵ and ensure a smooth ride.

- Periodically remove the swivel wheels and brush off any dirt or sand. Use a brush and water to clean dirt off the wheels. Do not submerge the wheel bearings in water.
- Use a soft brush to clean sand and dirt off the chassis. Take care to brush dirt away from rotating or sliding parts.
- Clean the chassis with a soft towel and lukewarm water and wipe off any remaining water with a dry cloth.
- Use a sponge, warm water and liquid soap to gently rub off any dirt on the handlebar foam. Wipe clean any soap residue left on the handlebar.
- Store your Bugaboo Bee⁵ and its accessories in a dry place and leave them unfolded when wet to prevent mould.

For more tips on how to maintain your Bugaboo Bee⁵, visit bugaboo.com.

© Copyright 2016 Bugaboo International BV. The information contained herein is subject to change without notice. Bugaboo International BV shall not be liable for technical errors or omissions contained herein. The purchased product may differ from the product as described in this user guide. Our most recent user guides can be requested at our service departments or at www.bugaboo.com. BUGABOO, BUGABOO CAMELEON, BUGABOO BEE, BUGABOO DONKEY, BUGABOO BUFFALO, RUNNER and the Bugaboo logos are registered trademarks. The Bugaboo® strollers are patented and design protected.

cleaning the fabrics

The Bugaboo Bee⁵ seat fabric and sun canopy are detachable and machine washable. The Bugaboo Bee⁵ harness can be cleaned with a damp cloth.

EN

FR

ES

When washing, don't forget:

- maximum temperature 30 °C/85 °F (cold wash)
- do not use bleach or aggressive detergents
- do not tumble dry
- do not iron
- do not dry clean
- always wash separately

Always check the fabric label before washing.

The aerated inlay of the mattress can be washed at 30 °C. The aerated inlay is placed on top of the thicker foam mattress and can be taken off by removing the mattress cover. After washing, ensure that all mattress parts are replaced in their original positions, with the aerated inlay placed on top of the foam mattress. Do not use the mattress without the aerated inlay. The Bugaboo Bee⁵ under seat basket can be washed at 30 °C.

limited warranty (for USA and Canada only)

what does this warranty cover?

This warranty covers any defects in the chassis, frames, wheels, frame and car seat adapters, zippers, harnesses, seams in the covering, Velcro, and colorfastness of your Bugaboo product, with the exceptions stated below.

what does this warranty not cover?

This warranty does not cover claims and damage from:

1. normal wear and tear,
2. misuse such as, but not limited to, improper storage and product care,
3. maintenance and use other than that indicated in the user guide,
4. failure to follow the instructions in the user guide,
5. abuse, neglect, carelessness, or accident,
6. caused by the modification or alteration of the product,
7. air transportation or freight damage,
8. damage to tires such as holes or tears, and
9. incorrect mounting or installation of third party parts that are incompatible with the product.

This warranty does not cover a Bugaboo product whose serial number has been damaged or removed. This warranty only covers damage and defects and does not extend to claims that you may have regarding dissatisfaction with the product in terms of its fit, weight, functionality, color or design.

what Is the period of coverage?

This warranty remains in force for two years from the date of purchase as long as you are the original purchaser who owns the Bugaboo product. You must keep your receipt as proof of the date of purchase. Replacement or repaired parts will only be warranted for the remaining period of the original warranty.

what will we do to correct problems?

We will repair your Bugaboo product at no cost to you, or if repair is not possible, replace the product. We will pay for transportation from and to the retailer that will service your Bugaboo product, as long as the repair or replacement is covered by this warranty. Bugaboo reserves the right to stop manufacturing a particular model, colour, fabric or accessory, and therefore it will replace a part with a similar product, colour or fabric during the manufacturer's warranty period.

how can you get service?

To obtain service for your Bugaboo product, contact the retailer from which you purchased the product. If the retailer is unable to arrange for the service of your product or if Bugaboo was your retailer, please contact us via e-mail at serviceus@bugaboo.com, telephone at 1-800-460-2922.

When you submit a claim for service, you must provide a copy of the purchase receipt, a description of the issue with the product, and the product and/ or photographs of the product or part which is broken or not working properly.

how will state law affect your customer's rights under this warranty?

To the extent permitted by law, this warranty is exclusive and in lieu of any other warranty, written or oral, including but not limited to any express warranty of merchantability or fitness for a particular purpose. The duration of any implied warranties, including any implied warranty of merchantability or fitness for a particular purpose, is expressly limited to this warranty period. Your exclusive

remedy for breach of this warranty or of any implied warranty or of any other obligation arising by operation of law or otherwise shall be limited as specified herein to repair or replacement, at our sole option. Responsibility for incidental or consequential damages is expressly excluded.

This warranty gives you specific legal rights; you may have other rights that vary from state to state or province to province. Some states or provinces do not allow limitations on how long an implied warranty lasts and/or do not allow an exclusion or limitation of incidental or consequential damages. Therefore, the above limitations and exclusions may not apply to you.

EN

FR

ES

replaceable parts

We pride ourselves on creating products based on high quality and standards. That's why only genuine Bugaboo parts or parts which have been approved by Bugaboo should ever be used in conjunction with the Bugaboo stroller. If you need to replace a part of your Bugaboo stroller, please contact your retailer, or visit bugaboo.com for an extensive list of retailers near you.

contact

Before you start using your Bugaboo Bee⁵, make sure you fill out the product registration form on line at bugaboo.com.






We are always interested in your feedback and would like to hear your comments on the Bugaboo Bee⁵ or any other Bugaboo product. Please send us an email at service@bugaboo.com , (North American residents, please use service.us@bugaboo.com) or visit our website at bugaboo.com/register to create your personal account and sign up to participate in Bugaboo consumer research and receive the Bugaboo online newsletter.

table des matières





introduction

dans les boîtes	18
mode d'emploi visuel	21
présentation de la bugaboo bee ⁵	22
avertissements	24
conseils d'entretien	26
nettoyage des tissus	27
garantie	28
pièces de rechange	30
contact	30

installation de la Bugaboo Bee⁵

	assemblage du châssis – fixation des roues pivotantes et dépliage	46
	fixer les enjoliveurs de roues	47
	fixer les poignées du guidon	50
	assemblage du siège	53
	assemblage et fixation de la capote	58

usage de la Bugaboo Bee⁵

	utilisation du frein	60
	réglage du guidon	61
	usage de la capote	62
	usage du siège	66

	usage du harnais	73
	pliage en un seul élément avec siège face au monde	75
	pliage en un seul élément avec siège face parents	77
	usage de la dragonne de poignet	79
	blocage/déblocage des roues pivotantes	80
	retrait des roues	82
	retrait du panier	84
	retrait de la housse du siège	86
	retirer les poignées du guidon	89
	retirer les enjoliveurs de roues	92
	utilisation de la protection pluie	93

EN

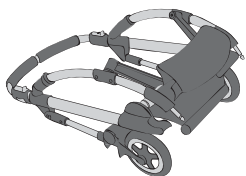
FR

ES

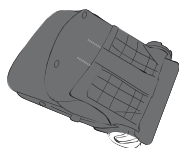
dans les boîtes

Prenez le temps de vérifier le contenu de vos emballages. Si quelque chose manque, veuillez contacter votre revendeur.

1



châssis



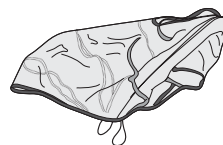
siège



armatures et pinces
de capote



roues pivotantes



protection pluie

2

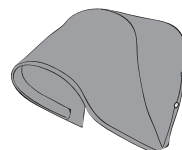
* Le housse du siège est vendus séparément.



housse du siège

3

* La capote du siège est vendus séparément.



capote

4

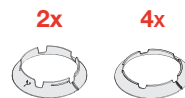
* Les poignées du guidon sont vendues séparément.



poignées du guidon

5

* Les enjoliveurs de roues sont vendus séparément.



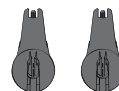
enjoliveurs de roues

6

* Le base de nacelle et les adaptateurs sont vendus séparément.



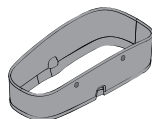
base de nacelle



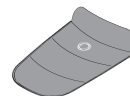
adaptateurs

7

* Le base de nacelle et les adaptateurs sont vendus séparément.



paroi de nacelle



tablier

mode d'emploi visuel

Ce mode d'emploi utilise un langage visuel. Vous trouverez à la suite la signification de tous les éléments visuels employés.



contrôle visuel OK



contrôle visuel incorrect



clic audible



mouvement dans le sens indiqué



instructions poursuivies en page suivante

3x

répétez l'action sur la ou les pièce(s) similaire(s)



Certaines instructions exigent une attention spéciale afin d'assurer un usage en toute sécurité de la Bugaboo Bee⁵. Lorsque vous remarquez ce symbole dans les instructions du mode d'emploi, consultez les avertissements du chapitre « AVERTISSEMENTS ».

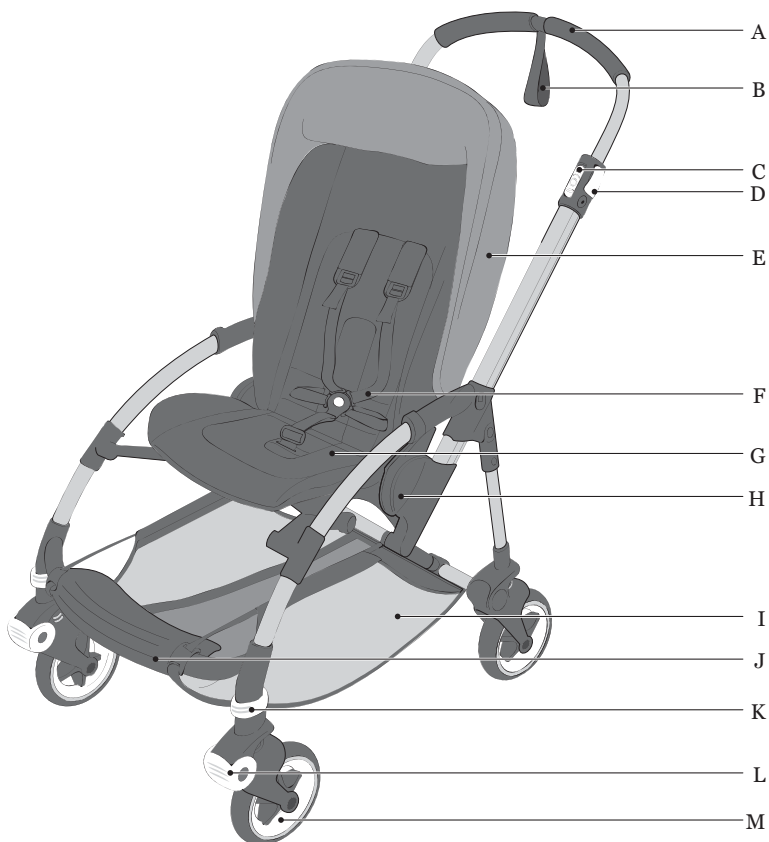
EN

FR

ES

présentation de la bugaboo bee⁵

Toutes les pièces blanches de votre Bugaboo Bee⁵ sont fonctionnelles. Ce sont des pièces qui vous permettent de modifier et d'adapter votre Bugaboo Bee⁵.



A. guidon

B. dragonne de poignet

C. mécanisme de verrouillage du repliement

D. blocage d'ajustement du dossier

E. capote

F. harnais

G. siège

H. disque du siège

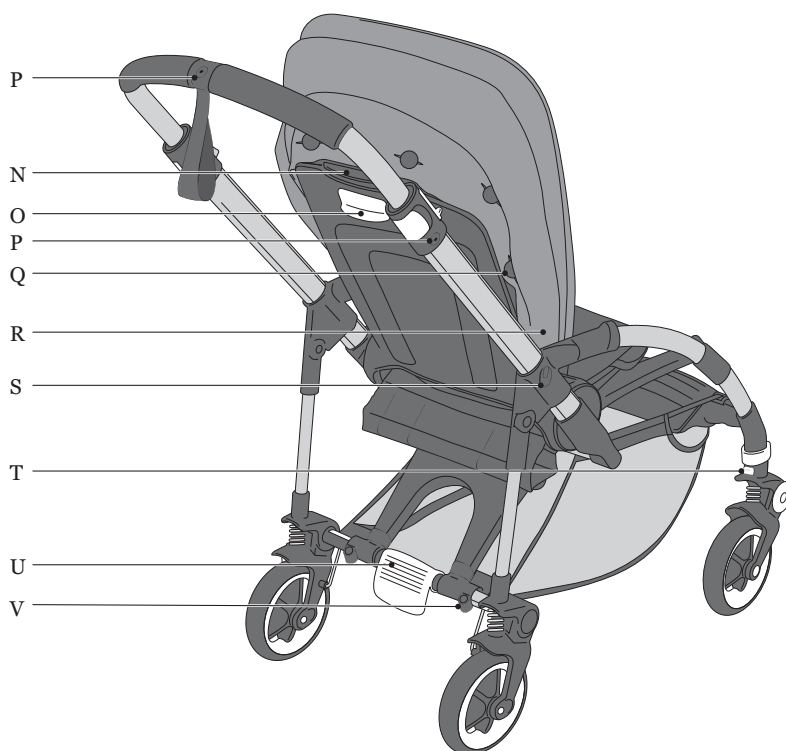
I. panier

J. repose-pieds

K. blocage des roues

L. grenouillère

M. roues pivotantes



N. poignée du dossier ajustable
O. blocage d'ajustement du dossier
P. point de fixation (porte-gobelet)
Q. boutons de la capote
R. support des pinces de la capote
S. point de fixation (ombrelle)

T. bouton de déverrouillage des
roulettes pivotantes
U. frein
V. point de fixation
(planche à roulettes confort)



AVERTISSEMENTS

I. INFORMATIONS GÉNÉRALES

1. **IMPORTANT** - Lisez attentivement les instructions avant utilisation et conservez-les afin de pouvoir les consulter ultérieurement.
2. Le non-respect de ces avertissements et instructions pourrait entraîner des blessures graves, voire la mort.
3. **NE** laissez **JAMAIS** l'enfant sans surveillance.
4. Assurez-vous que tous les dispositifs de verrouillage soient enclenchés avant utilisation.
5. N'utilisez pas ce produit si une pièce est cassée, déchirée ou manquante.
6. Utilisez uniquement les accessoires et pièces de rechange fournis ou recommandés par le fabricant/distributeur.
7. Pour éviter les blessures, éloignez votre enfant lorsque vous pliez et dépliez ce produit.
8. On peut se prendre les doigts en dressant ou en pliant le produit.
9. Ne laissez pas votre enfant jouer avec ce produit.
10. Utilisez un harnais dès que votre enfant est capable de s'asseoir seul.
11. Utilisez toujours le système de retenue.
12. Ce produit n'est pas adapté à la course, ni au patinage.
13. Utilisez toujours les dispositifs de sécurité de votre Bugaboo Bee⁵, notamment les dispositifs de verrouillage, le frein, le harnais (quand l'enfant est dans le siège) et la dragonne de poignet attachée au guidon. Contrôlez et entretenez fréquemment l'ensemble des dispositifs de sécurité.
14. Ne placez pas de sacs ou de bagages sur le guidon et/ou à l'arrière du dossier et/ou sur les côtés de la poussette, car celle-ci pourrait devenir instable.
15. Utilisez la dragonne de poignet pour empêcher la poussette de se mettre à rouler toute seule.
16. Pour les enfants incapables de se maintenir seuls en position assise, le dossier ne doit être utilisé qu'en position allongée.
17. N'utilisez pas la capote en position déployée en association avec la protection pluie. Risque d'asphyxie.
18. Les accessoires placés sur le châssis peuvent rendre la poussette instable.
19. Le châssis doit être plié et déplié avec soin pour éviter de ce coincer les doigts.
20. N'utilisez pas votre poussette dans les escalators.

21. Sur les sols tels que les stratifiés synthétiques, le parquet, le linoléum et la moquette (revêtement de sol organique), il est possible que les pneus en caoutchouc de couleur noire laissent une trace indélébile. En présence de sols figurant parmi les types susmentionnés, nous vous recommandons de faire preuve de prudence, notamment en intérieur.

II. RECOMMANDATIONS CONCERNANT LE POIDS ET LA TAILLE

22. La Bugaboo Bee⁵ convient aux enfants de 0 à 36 mois (17 kg).
23. Les objets placés dans le panier ne doivent pas peser plus de 4 kg.
24. Ne dépassez pas le poids recommandé par le fabricant dans le panier, sinon la poussette pourrait devenir instable.
25. Toute charge attachée au guidon et/ou à l'arrière du dossier et/ou sur les côtés de la poussette affectera la stabilité de la poussette.
26. Cette poussette est conçue pour transporter un seul enfant.

III. USING THE SEAT ON THE CHASSIS

27. Utilisez toujours le harnais.
28. Utilisez toujours la sangle d'entrejambes en association avec la ceinture.
29. Le siège de la Bugaboo Bee⁵ convient aux enfants âgés de 0 à 36 mois (17 kg/37,5 lbs). Pour les nouveau-nés, utilisez la position la plus allongée du siège.
30. Évitez les blessures graves liées à des chutes ou au fait que l'enfant se soit glissé hors du siège. Utilisez toujours le harnais.
31. Un danger d'étranglement: les enfants ont étranglé dans les sangles du harnais lâche ou partiellement voilées. Entièrement retenir l'enfant en tout temps.



Certaines instructions exigent une attention spéciale afin d'assurer un usage en toute sécurité de la Bugaboo Bee⁵. Lorsque vous remarquez ce symbole dans les instructions du mode d'emploi, consultez les avertissements du chapitre « AVERTISSEMENTS ».

© Copyright 2016 Bugaboo International BV. Les informations continues dans le présent document sont susceptibles d'être modifiées sans avis préalable. Bugaboo International BV ne pourra être tenu responsable d'erreurs techniques ou d'omissions continues dans le présent document. Il est possible que le produit acheté diffère du produit tel qu'il figure dans le mode d'emploi. Nos modes d'emploi les plus récents peuvent être demandés auprès de nos services d'assistance ou sur le site www.bugaboo.com. BUGABOO, BUGABOO CAMELEON, BUGABOO BEE, BUGABOO DONKEY, BUGABOO BUFFALO, RUNNER et les logos Bugaboo sont des marques déposées. Des brevets ont été déposés pour les modèles de poussette Bugaboo® et leur design est protégé.

informations importantes

- Contrôlez la sécurité de la Bugaboo Bee⁵ avant chaque utilisation. Vérifiez que la housse du siège, le frein et les ceintures de sécurité fonctionnent tous correctement, que le guidon est verrouillé et que le siège est bien fixé au châssis.
- Vérifiez si la Bugaboo Bee⁵ est endommagée. Vous devez vous assurer de réparer immédiatement toutes pièces endommagées ou usées.
- Pour garantir une totale sécurité pour votre enfant, n'utilisez pas la Bugaboo Bee⁵ tant que toutes pièces endommagées ou usées n'ont pas été réparées ou remplacées.
- Le siège Bugaboo Bee⁵ (n° 510250) ne doit être utilisé qu'avec le châssis Bugaboo Bee⁵ (n° 500210AL01 / 500210ZW01). N'utilisez pas les pièces ou composants de la Bugaboo Bee⁵ avec toute poussette non agréée, tout autre appareil ou tout autre produit Bugaboo.
- N'utilisez pas la Bugaboo Bee⁵ à proximité d'une flamme nue ou d'autres sources de chaleur. Évitez d'exposer la Bugaboo Bee⁵ à des températures extrêmes.
- La Bugaboo Bee⁵ n'est pas résistante à l'eau salée.
- Veillez à ce que les tissus en Velcro n'entrent pas en contact avec les habillages de la Bugaboo Bee⁵.

conseils d'entretien

Ces conseils vous aideront à prendre soin de votre Bugaboo Bee⁵ et vous garantiront une utilisation en toute tranquillité.

- Retirez régulièrement les roues pivotantes et éliminez toutes saletés ou tous grains de sable. Utilisez une brosse et de l'eau pour nettoyer les roues. Ne plongez pas les roulements des roues dans l'eau.
- Utilisez une brosse douce pour ôter le sable et les saletés du châssis. Prenez soin de ne pas envoyer les saletés vers les pièces rotatives ou coulissantes avec la brosse.
- Nettoyez le châssis avec un chiffon doux et de l'eau tiède, puis essuyez tout résidu d'eau à l'aide d'un chiffon sec.
- Utilisez une éponge, de l'eau chaude et du savon liquide pour frotter délicatement toute saleté sur la mousse du guidon. Essuyez tout résidu de savon sur le guidon.
- Rangez votre Bugaboo Bee⁵ et ses accessoires dans un endroit sec et laissez-les dépliés lorsqu'ils sont mouillés, pour éviter l'apparition de moisissures.

Pour plus de conseils sur l'entretien de votre Bugaboo Bee⁵, rendez-vous sur www.bugaboo.com.

nettoyage des tissus

La housse du siège et la capote de la Bugaboo Bee⁵ sont amovibles et lavables en machine.

Le harnais de la poussette Bugaboo Bee⁵ peut se nettoyer avec un chiffon humide.

En cas de lavage, n'oubliez pas:

- température maximale de 30 °C/85 °F (lavage à froid)
- ne pas utiliser d'eau de Javel, ni de détergents agressifs
- ne pas passer au sèche-linge
- ne pas repasser
- ne pas nettoyer à sec
- toujours laver séparément

Vérifiez toujours l'étiquette de l'habillement avant le lavage.

La doublure aérée du matelas peut être lavée à 30 °C. Elle se trouve au-dessus du matelas en mousse plus épais, et peut être retirée en enlevant la housse du matelas.

Après lavage, assurez-vous d'avoir remis toutes les parties du matelas dans leur emplacement d'origine, la doublure aérée étant replacée sur le matelas en mousse.

N'utilisez pas le matelas sans la doublure aérée.

Le panier de la Bugaboo Bee⁵ peut être lavé à 30 °C.

EN

FR

ES

garantie limitée (seulement pour les États-Unis et Canada)

que couvre la présente garantie?

La présente garantie couvre tout défaut au niveau du châssis, du cadre, des roues, du cadre du siège et des adaptateurs du siège auto, des fermetures à glissière, des harnais, des coutures de l'habillement, du velcro et de la tenue des couleurs de votre produit Bugaboo, à l'exception des éléments mentionnés ci-après.

quelles sont les exceptions à la présente garantie?

La présente garantie ne couvre pas les recours dus:

1. à une usure normale;
2. à une mauvaise utilisation, en ce compris, mais sans toutefois s'y limiter, à un rangement ou à un entretien inapproprié du produit;
3. à un entretien et à une utilisation non conformes aux instructions du guide utilisateur;
4. au non-respect des instructions du guide utilisateur;
5. à une utilisation inappropriée, négligente, irréfléchie ou à un accident;
6. à une modification ou une altération du produit;
7. à un dommage lié au transport, comme le transport par avion;
8. à des trous ou déchirures au niveau des pneus; ou
9. à un montage ou à une installation incorrecte de pièces d'autres fabricants non compatibles avec le produit.

La présente garantie ne couvre pas les produits Bugaboo dont le numéro de série a été altéré ou retiré. La présente garantie couvre exclusivement les dommages et les défauts de fabrication, et ne s'applique en aucun cas aux éventuels recours liés à un mécontentement du client au regard de la taille, du poids, de la fonctionnalité, de la couleur ou du modèle du produit.

quelle est la durée de la garantie?

La présente garantie est valable pour une durée de deux ans à compter de la date d'achat, à condition que vous soyez l'acheteur initial du produit Bugaboo. Vous êtes tenu de conserver votre ticket de caisse comme preuve de la date d'achat. Les pièces remplacées ou réparées demeureront uniquement sous garantie pendant la durée de la garantie d'origine.

que ferons-nous pour résoudre vos problèmes?

Nous nous engageons à réparer gratuitement votre produit Bugaboo ou, dans le cas où aucune réparation ne s'avérerait possible, à remplacer votre produit. Nous prendrons en charge le transport depuis et vers le détaillant de votre produit Bugaboo et ce, à condition que la réparation ou le remplacement soit couvert par la présente garantie. Bugaboo se réserve le droit de ne plus fabriquer un modèle, une couleur, un habillage ou un accessoire donné, et de le remplacer par un produit, une couleur ou un habillage similaire, au cours de la période couverte par la garantie du fabricant.

comment exercer un recours en garantie?

Pour exercer un recours en garantie, veuillez contacter le détaillant auprès duquel vous avez acheté votre produit Bugaboo. Dans le cas où ce dernier serait dans l'incapacité d'assurer la réparation de votre produit, ou si vous avez acheté votre produit directement auprès de Bugaboo, contactez-nous par courriel à l'adresse serviceus@bugaboo.com, par téléphone au 1-800-460-2922.

En cas de recours en garantie, veuillez nous transmettre une copie de votre preuve d'achat, la description du problème rencontré avec votre produit, ainsi que le produit et/ou des photos du produit ou de la pièce endommagé(e) ou ne fonctionnant pas correctement.

dans quelle mesure la législation de votre état peut-elle avoir un impact sur vos droits en vertu de cette garantie?

Dans les limites autorisées par la loi, cette garantie est exclusive et prévaut sur toute autre garantie, écrite ou orale, en ce compris, mais sans toutefois s'y limiter, à toute garantie de commercialisation ou d'adaptation à un objectif particulier. La durée

de toute garantie implicite, en ce compris toute garantie de commercialisation ou d'adaptation à un objectif particulier, est expressément limitée à la présente période de garantie. Votre recours exclusif en cas de violation de la présente garantie, de toute garantie implicite, ou de toute autre obligation légale ou autre, se limitera, comme stipulé dans la présente, à la réparation ou au remplacement du produit, à notre seule discrétion. Nous nous déchargeons de toute responsabilité en cas de dommages accessoires ou indirects.

La présente garantie vous octroie des droits spécifiques légaux. Vous pouvez également bénéficier d'autres droits, lesquels peuvent varier d'un État à l'autre et d'une province à l'autre. Certains États ou certaines provinces n'autorisent pas les limitations relatives à la durée d'une garantie implicite et/ou n'accordent aucune exclusion ou restriction concernant les dommages accessoires ou indirects. Dès lors, les limitations ou exclusions susmentionnées peuvent ne pas s'appliquer dans votre cas.

pièces de rechange

Nous sommes fiers de créer des produits de qualité supérieure et conformes aux normes les plus élevées. C'est pourquoi seules les véritables pièces de rechange de Bugaboo – ou ayant été approuvées par Bugaboo – peuvent être utilisées sur votre poussette Bugaboo. Si vous devez remplacer une pièce de votre poussette Bugaboo, veuillez contacter votre détaillant ou consulter le site bugaboo.com, sur lequel vous trouverez la liste exhaustive des détaillants les plus proches de chez vous.

contact

Avant de commencer à utiliser votre Bugaboo Bee⁵, assurez-vous de remplir le formulaire d'enregistrement du produit en ligne sur le site www.bugaboo.com. Nous sommes toujours intéressés par vos remarques et serions ravis que vous nous fassiez part de vos commentaires sur la Bugaboo Bee⁵ ou tout autre produit Bugaboo. Merci de nous envoyer un e-mail à l'adresse: service@bugaboo.com, (pour les résidents d'Amérique du Nord, veuillez utiliser: service.us@bugaboo.com) ou de vous rendre sur notre site Internet à l'adresse: bugaboo.com/register pour créer votre compte, puis de vous inscrire pour participer aux études de consommation de Bugaboo et recevoir la newsletter électronique de Bugaboo.

EN

FR






ES

índice





introducción

en las cajas	34
lenguaje visual del manual de instrucciones	37
presentamos el bugaboo bee ⁵	38
advertencias	40
consejos de mantenimiento	42
limpieza de las fundas	43
garantía	43
piezas sustituibles	45
contacto	45

montaje del Bugaboo Bee⁵

	montaje del chasis – colocar las ruedas giratorias y desplegar	46
	fijar las tapas de las ruedas	47
	fijar las empuñaduras del manillar	50
	instalación de la sillaz	53
	montaje e instalación de la capota	58

uso del Bugaboo Bee⁵

	uso del freno	60
	ajuste del manillar	61
	uso de la capota	62
	uso de la silla	66

EN

FR

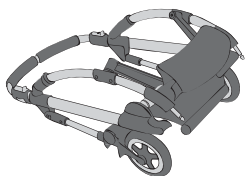
ES

	uso del arnés	73
	plegado en una pieza con silla mirando hacia usted	75
	plegado en una pieza con silla mirando el frente	77
	uso de la muñequera de seguridad	79
	bloqueo/ desbloqueo de las ruedas giratorias	80
	retirada de las ruedas	82
	extracción de la cestilla de compras	84
	extracción de la funda de silla	86
	quitar las empuñaduras del manillar	89
	quitar las tapas de las ruedas	92
	uso de la cubierta contra la lluvia	93

en las cajas

Tómese un momento para comprobar el contenido de los paquetes. Si falta alguna pieza, póngase en contacto con su distribuidor.

1



chasis



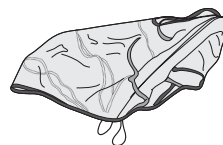
silla



varillas y abrazaderas de capota



ruedas giratorias



cubierta contra la lluvia

2

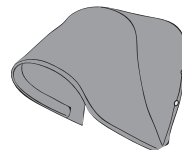
* La funda de silla se vende por separado.



funda de silla

3

* La capota se vende por separado.



capota

4

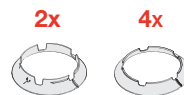
* Las empuñaduras del manillar se venden por separado.



empuñaduras del manillar

5

* Las tapas de las ruedas se venden por separado.



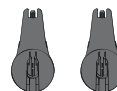
tapas de las ruedas

6

* La base del capazo y los adaptadores se venden por separado.



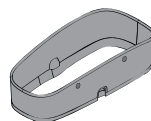
base del capazo



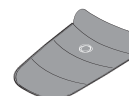
adaptadores

7

* La pared del capazo y cubrepíes se venden por separado.



pared del capazo



cubrepíes

lenguaje visual del manual de instrucciones

En este manual de instrucciones utilizamos un lenguaje visual. A continuación puede encontrar el significado de todos los elementos visuales empleados.



comprobación visual OK



comprobación visual incorrecta



clic audible



movimiento en la dirección indicada



las instrucciones continúan en la página siguiente

3x

repetir la acción en pieza(s) similar(es)



Algunas instrucciones requieren una atención especial para garantizar el uso seguro del Bugaboo Bee⁵. Cuando vea este símbolo en la sección de instrucciones del manual, consulte las advertencias del capítulo "ADVERTENCIAS".

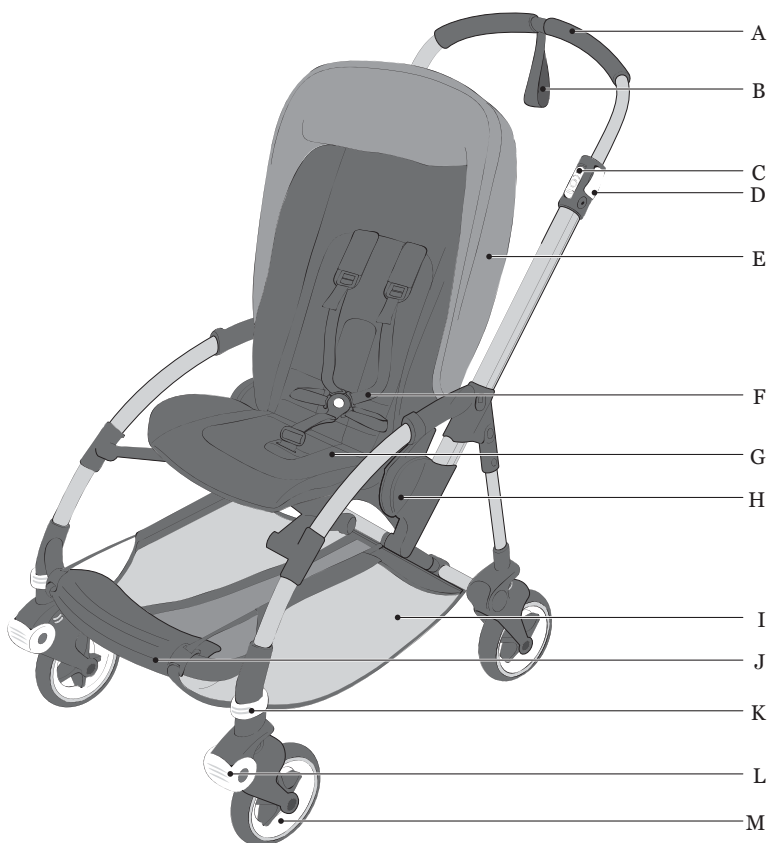
EN

FR

ES

presentamos el bugaboo bee⁵

Todas las piezas blancas del Bugaboo Bee⁵ son funcionales. Son las piezas que le permiten adaptar y cambiar el Bugaboo Bee⁵.



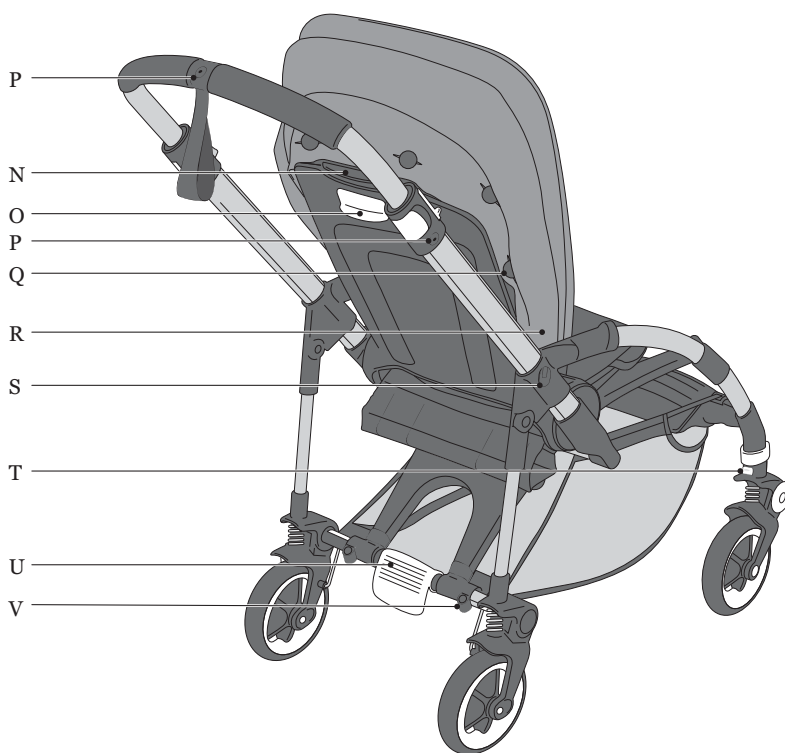
- A. manillar
- B. muñequera de seguridad
- C. seguro de plegado
- D. abrazadera de ajuste del manillar
- E. capota
- F. arnés
- G. silla

- H. disco de silla
- I. cestilla de compras
- J. reposapiés
- K. bloqueo de rueda
- L. rodillera de armadura
- M. ruedas giratorias

EN

FR

ES



N. respaldo extensible

O. botón de ajuste del respaldo

P. punto de enganche (portavasos)

Q. botones capota

R. soporte de la abrazadera de la capota

S. punto de enganche (sombriilla)

T. botón de desenganche de ruedas giratorias

U. freno

V. punto de enganche (patinete comfort)



ADVERTENCIAS

I. GENERAL

1. **IMPORTANTE** - Antes de usar, lea detenidamente las instrucciones y consérvelas para consultarlas ulteriormente.
2. El no seguirse estas advertencias e instrucciones podría resultar en lesiones graves o incluso la muerte.
3. **NUNCA** deje al niño sin supervisión.
4. Asegúrese de que todos los dispositivos de bloqueo estén puestos antes de usar el producto.
5. No utilice el producto si alguna de sus piezas falta, está rota o rasgada.
6. Solo utilice los accesorios y piezas de repuesto suministrados o recomendados por el fabricante/distribuidor.
7. Para evitar lesiones, mantenga al niño alejado al desplegar y plegar este producto.
8. No deje que el niño juegue con este producto.
9. Utilice un arnés en cuanto el niño pueda sentarse sin ayuda.
10. Utilice siempre el sistema de retención.
11. No corra ni patine con el Bugaboo Bee⁵. Este producto no ha sido diseñado para ello.
12. Utilice siempre las funciones de seguridad del Bugaboo Bee⁵, incluidos los mecanismos de bloqueo, el freno, el arnés (cuando el niño está en la silla) y la muñequera de seguridad fijada al manillar. Compruebe y mantenga todas las funciones de seguridad con frecuencia.
13. No ponga bolsos o equipaje en el manillar y/o en la parte trasera del respaldo y/o en los lados del cochecito, ya que éste puede volverse inestable.
14. Utilice la muñequera de seguridad para detener el cochecito si éste se aleja.
15. Para cualquier niño que no pueda mantenerse sentado sin ayuda, el respaldo solo debe utilizarse en la posición tumbado.
16. No utilice la capota en posición extendida conjuntamente con la cubierta contra la lluvia. Existe riesgo de asfixia.
17. No use el cochecito en escaleras mecánicas.
18. Es posible que las ruedas negras de gomas dejen marcas permanentes en suelos con laminados sintéticos, parqué, linóleo y moqueta (suelos con superficie orgánica). Si tuviera un suelo como los citados anteriormente, le recomendamos que tenga cuidado con el uso interior.
19. No use en el Bugaboo Bee⁵ los adaptadores que se venden con el

portavasos Bugaboo, la sombrilla Bugaboo o el patinete Bugaboo comfort. Siempre fije el accesorio directamente al cochecito usando los puntos de enganche integrados.

20. Siempre lea la guía del usuario del accesorio al usar los puntos de enganche integrados.
21. Antes de usar el producto, las empuñaduras del manillar deben estar sujetas y bloqueadas correctamente.
22. Antes de usar el producto, la funda de silla debe estar instalada sobre la espuma de la silla.
23. Antes de usar el producto, asegúrese siempre de que las tapas de las ruedas estén puestas correctamente.

II. PESOS Y ESTATURAS RECOMENDADOS

24. El Bugaboo Bee⁵ es adecuado para niños desde el nacimiento hasta los 36 meses (17 kg/37,5 lb).
25. El peso máximo de la cestilla de compras es de 4 kg (8,8 lb).
26. Utilice únicamente los pesos recomendados por el fabricante en la cestilla de compras, de lo contrario el cochecito puede volverse inestable.
27. Cualquier carga fijada al manillar y/o a la parte trasera del respaldo y/o los lados del cochecito afectará la estabilidad de éste.
28. Este vehículo se ha diseñado para ser usado por un solo niño.

III. USO DE LA SILLA EN EL CHASIS

29. Siempre utilice el arnés.
30. Use siempre el cinturón de entrepiernas junto con el cinturón de cadera.
31. La unidad de la silla Bugaboo Bee⁵ es apropiada para niños de 0 a 36 meses (17 kg/37,5 lb). Para los recién nacidos, utilice la silla en posición tumbado.
32. Evite lesiones graves por caídas o deslizamientos. Siempre utilice el arnés.
33. Riesgo de estrangulamiento: Los niños se han estrangulado en las correas del arnés sueltas o parcialmente con hebillas. Restringir completamente el niño en todo momento.



Algunas instrucciones requieren una atención especial para garantizar el uso seguro del Bugaboo Bee⁵. Cuando vea este símbolo en la sección de instrucciones del manual, consulte las advertencias del capítulo "ADVERTENCIAS".

información importante

- Compruebe la seguridad del Bugaboo Bee⁵ antes de cada utilización. Asegúrese de que la funda de la silla, el freno y los cinturones de seguridad funcionen correctamente, que el manillar esté bloqueado y que la silla esté bien colocada en el chasis.
- Verifique que el Bugaboo Bee⁵ no esté dañado. Debe asegurarse de que cualquier pieza dañada o gastada sea reparada inmediatamente.
- Para asegurar la completa seguridad de su hijo, no use el Bugaboo Bee⁵ hasta que las piezas dañadas o gastadas hayan sido reparadas o reemplazadas.
- La unidad de la silla Bugaboo Bee⁵ (nº510250) solo tiene que usarse con el chasis Bugaboo Bee⁵ (nº500210AL01 / 500210ZW01). No utilice piezas ni componentes del Bugaboo Bee⁵ con cochecitos no aprobados ni con cualquier otro producto Bugaboo.
- No use el Bugaboo Bee⁵ cerca de llamas abiertas ni otras fuentes de calor. Evite exponer el Bugaboo Bee⁵ a temperaturas extremas.
- El Bugaboo Bee⁵ no es resistente al agua salada.
- Evite el contacto del Velcro con las fundas del Bugaboo Bee⁵.

consejos de mantenimiento

Estos consejos le ayudarán a cuidar de su Bugaboo Bee⁵ y garantizarán que todo marche sobre ruedas.

- Quite periódicamente las ruedas giratorias y cepíllelas para quitar la suciedad o la arena. Utilice un cepillo y agua para quitar la suciedad de las ruedas. No sumerja los cojinetes de las ruedas en el agua.
- Utilice un cepillo suave para quitar la arena y la suciedad del chasis. Cuide de quitar la suciedad de las piezas giratorias o deslizantes.
- Limpie el chasis con una toalla húmeda y agua templada y quite cualquier resto de agua con un trapo seco.
- Utilice una esponja, agua templada y jabón líquido para quitar con suavidad la suciedad de la espuma del manillar. Quite los restos de jabón del manillar.
- Guarde el Bugaboo Bee⁵ y sus accesorios en un lugar seco y déjelos desplegados cuando estén mojados para evitar la formación de moho.

Si desea más consejos sobre cómo mantener su Bugaboo Bee⁵, visite www.bugaboo.com.

© Copyright 2016 Bugaboo International BV. La información contenida en este documento está sujeta a cambios sin notificación previa. Bugaboo International BV no se hará responsable de ningún tipo de error técnico u omisión aquí contenidos. El producto comprador puede variar del producto descrito en esta guía de usuario. Puede solicitar nuestros manuales de instrucciones más recientes en nuestros departamentos de atención al cliente o en www.bugaboo.com. BUGABOO, BUGABOO CAMELEON, BUGABOO BEE, BUGABOO DONKEY, BUGABOO BUFFALO, RUNNER y los logotipos de Bugaboo son marcas registradas. Las patentes y los diseños de los cochecitos Bugaboo® están protegidos.

limpieza de las fundas

La funda de silla y la capota del Bugaboo Bee⁵ se pueden quitar y lavar en lavadora. El arnés de Bugaboo Bee⁵ se puede lavar con un trapo húmedo.

Cuando las lave, no olvide esto:

- temperatura máxima 30 °C/85 °F (lavado en frío)
- no utilizar lejía ni detergentes agresivos
- no secar en secadora
- no planchar
- no lavar en seco
- lave siempre por separado

Antes de lavar, siempre verifique la etiqueta de la funda.

El elemento de ventilación del colchón puede lavarse a 30 °C. El elemento de ventilación está situado encima del colchón de espuma más grueso y puede sacarse quitando la funda del colchón. Después del lavado, asegúrese de que todas las piezas del colchón se coloquen en sus posiciones originales, con el elemento de ventilación situado encima del colchón de espuma. No utilice el colchón sin dicho elemento. La cesta de compra del Bugaboo Bee⁵ se puede lavar a 30 °C.

garantía limitada (sólo EE. UU. y Canadá)

¿qué cubre esta garantía?

Esta garantía cubre los defectos del chasis, la estructura del cochecito, las ruedas, los adaptadores de la estructura del cochecito y del asiento, las cremalleras, los arneses, las costuras de la funda, las cintas adhesivas de nailon y la decoloración de su producto Bugaboo, con las excepciones indicadas más abajo.

¿qué no cubre esta garantía?

Esta garantía no cubre reclamaciones ni daños provocados por:

1. uso y desgaste normales,
2. uso indebido, como, entre otros, almacenaje y cuidado inadecuados del producto,
3. mantenimiento y uso distintos a los indicados en la guía del usuario,
4. incumplimiento de las instrucciones de la guía del usuario,
5. abuso, negligencia, descuido o accidente,
6. modificación o alteración del producto,
7. daños durante el transporte,

EN

FR

ES

8. daños en las ruedas, como pinchazos, e
9. instalación o montaje incorrectos de piezas de terceros incompatibles con el producto.

La presente garantía no cubre un producto Bugaboo cuyo número de serie ha sido dañado o borrado. Esta garantía cubre únicamente daños y defectos y no se extiende a reclamaciones relacionadas con su insatisfacción con el producto en términos de ajuste, peso, funcionalidad, color o diseño.

¿cuál es el período de garantía?

Esta garantía permanecerá en vigor durante dos años a partir de la fecha de compra, siempre que sea el comprador original del producto Bugaboo. Debe guardar su factura como prueba de la fecha de compra. Las piezas de repuesto o reparadas solo se garantizarán durante el período restante de la garantía original.

¿qué haremos para solucionar los problemas?

Repararemos su producto Bugaboo sin coste alguno para usted; si no puede repararse, sustituiremos el producto. Correremos con los gastos de transporte desde el establecimiento de venta y hasta el mismo, siempre y cuando la reparación o sustitución estén cubiertas por esta garantía. Bugaboo se reserva el derecho a interrumpir la fabricación de un modelo, color, tejido o accesorio concreto y, en tal caso, lo reemplazará por un producto, color o tejido similar durante el período de garantía del fabricante.

¿cómo puede solicitar la reparación o sustitución?

Para solicitar la reparación o sustitución de su producto Bugaboo, contacte con su establecimiento de venta. Si el establecimiento de venta no puede reparar o sustituir el producto o si compró el producto directamente a Bugaboo, puede contactar con nosotros enviando un mensaje a la dirección de correo electrónico serviceus@bugaboo.com, llamando al número de teléfono 1-800-460-2922.

Al enviar su reclamación, debe proporcionarnos una copia de la factura de compra, una descripción del problema y el producto y/o fotografías del producto o la pieza que esté roto o no funcione correctamente.

¿cómo afecta la ley estatal a sus derechos como cliente en virtud de esta garantía?

En la medida permitida por la ley, esta garantía excluye cualquier otra garantía y se ofrece en lugar de cualquier otra garantía, oral o escrita, incluidas, entre otras, garantías expresas de comerciabilidad o adecuación a un fin concreto. La duración de las garantías implícitas, incluida cualquier garantía implícita de comerciabilidad o adecuación a un fin concreto, se limita expresamente al período de esta garantía. Su remedio exclusivo en caso de incumplimiento de esta garantía o cualquier otra garantía implícita o cualquier otra obligación legal quedará limitado, según lo aquí especificado, a la reparación o sustitución, a nuestra entera discreción. Renunciamos expresamente a toda responsabilidad por daños incidentales o emergentes.

La presente garantía le otorga derechos legales específicos; es posible que le correspondan otros derechos que varían de un estado a otro o de una provincia a otra. Algunos estados o provincias no permiten limitaciones en cuanto a la duración de una garantía implícita y/o no permiten exclusión o limitación de daños incidentales o emergentes. En tal caso, las limitaciones y exclusiones arriba expuestas podrían no aplicarse a su caso.

piezas de repuesto

Nos enorgullece crear productos que cumplen los más elevados criterios de calidad. Por ello, siempre debe utilizar en el cochecito Bugaboo piezas originales de Bugaboo o piezas que han sido homologadas por Bugaboo. Si necesita sustituir una pieza de su cochecito Bugaboo, póngase en contacto con su establecimiento de venta o visite bugaboo.com para consultar una lista completa de los establecimientos de venta cercanos a su domicilio.

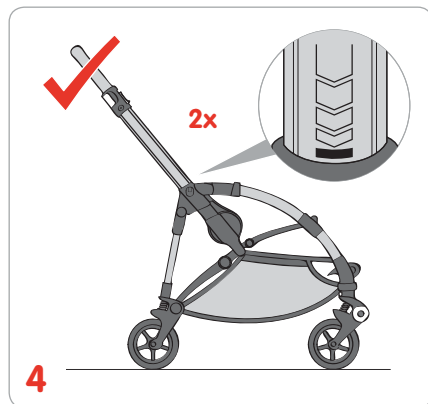
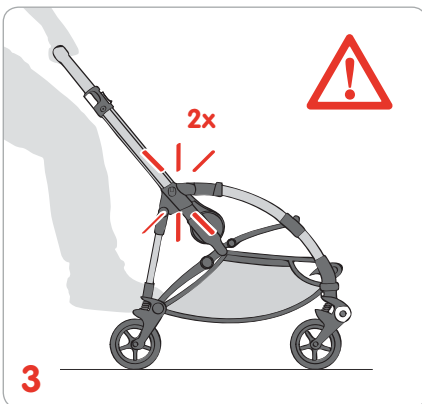
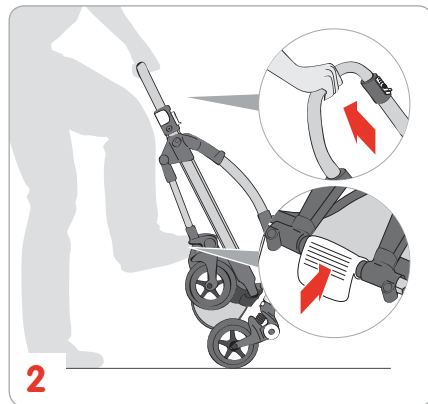
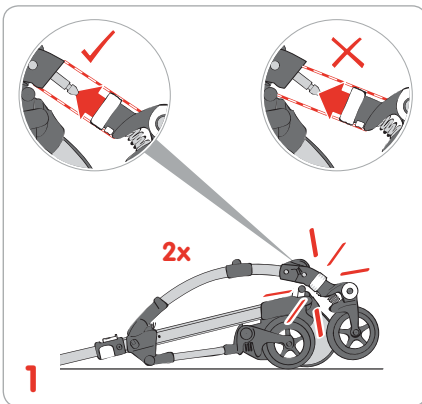
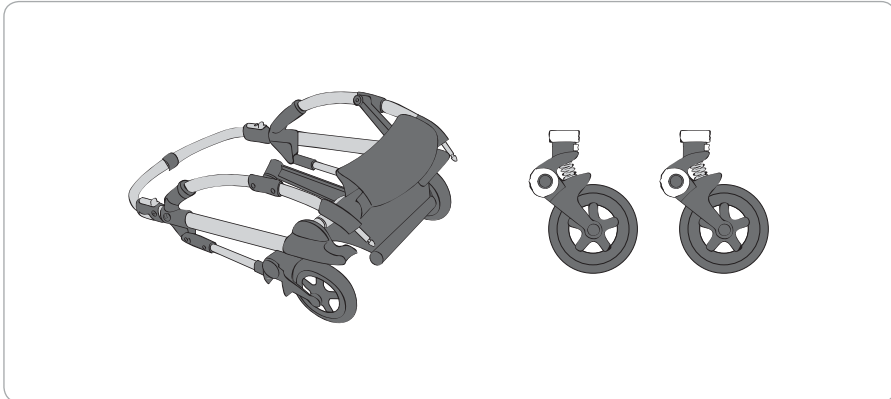
contacto

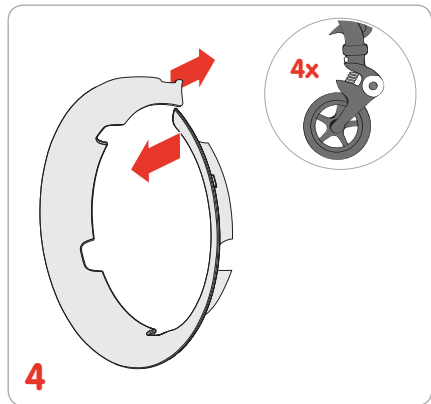
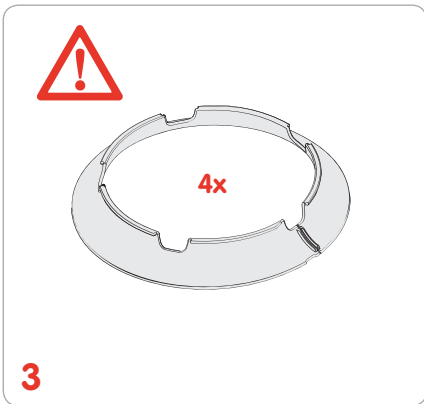
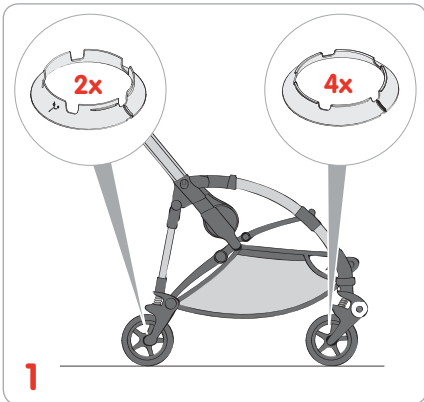
Antes de empezar a utilizar el Bugaboo Bee⁵, asegúrese de rellenar el formulario de registro de producto en línea que encontrará en www.bugaboo.com. Siempre estamos interesados en sus reacciones y nos gustaría recibir sus comentarios sobre el Bugaboo Bee⁵ o cualquier otro producto Bugaboo. Por favor, envíenos un correo electrónico a service@bugaboo.com, (los residentes en Norteamérica tienen que dirigirse a service.us@bugaboo.com) o visite nuestra página web bugaboo.com/register para crear su cuenta personal, registrarse para participar en estudios de mercado de Bugaboo y recibir el boletín electrónico de Bugaboo.

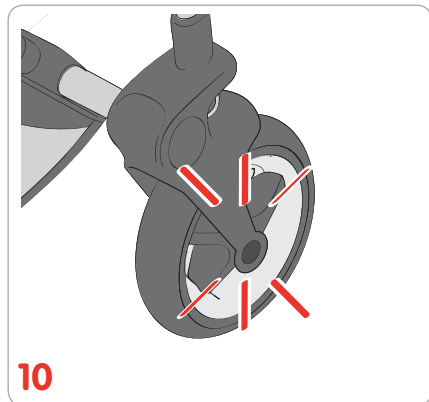
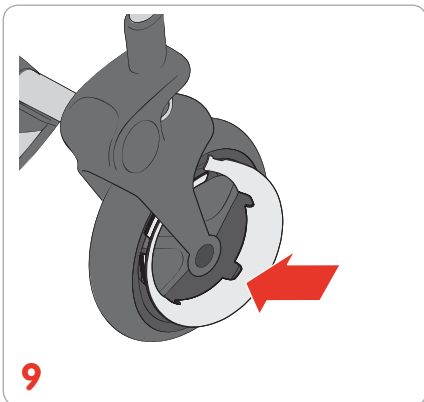
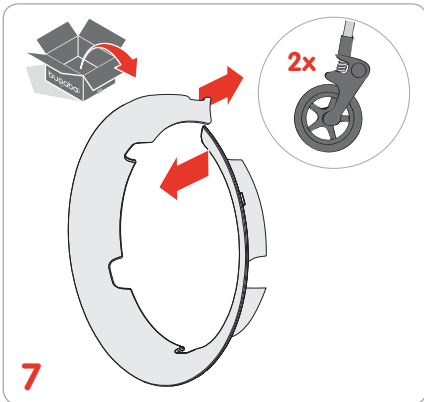
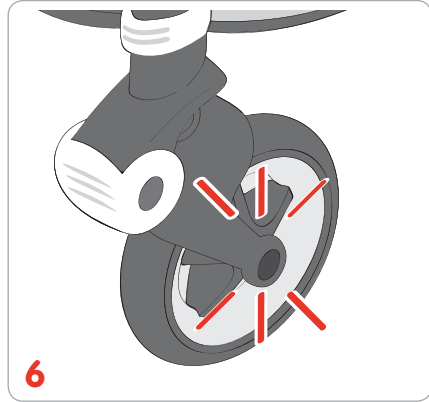
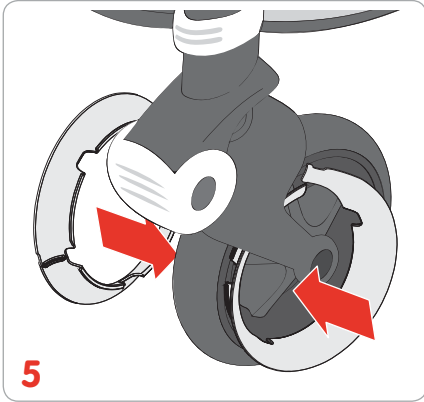
EN

FR

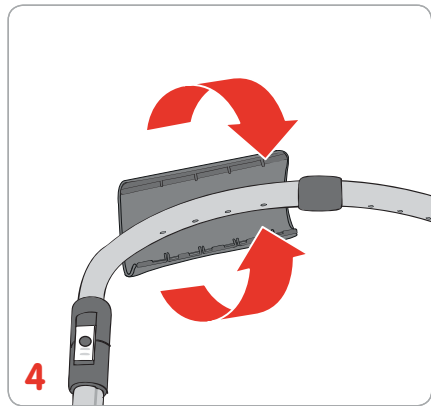
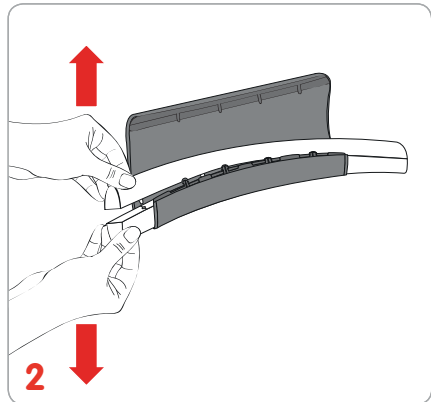
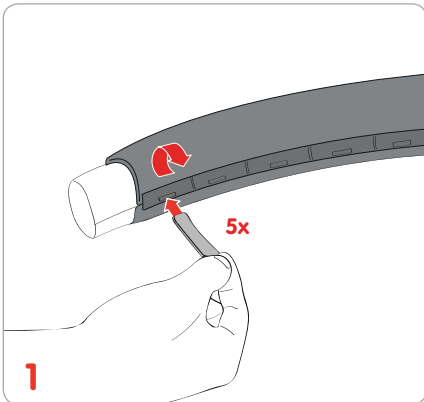
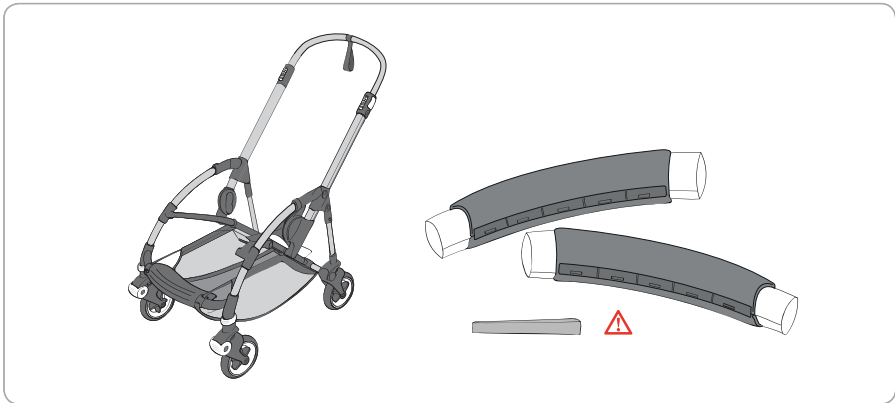
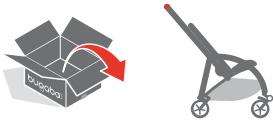
ES

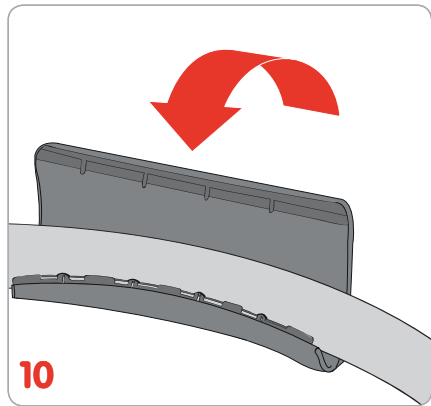
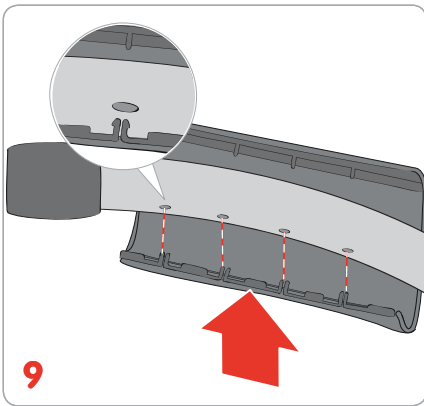
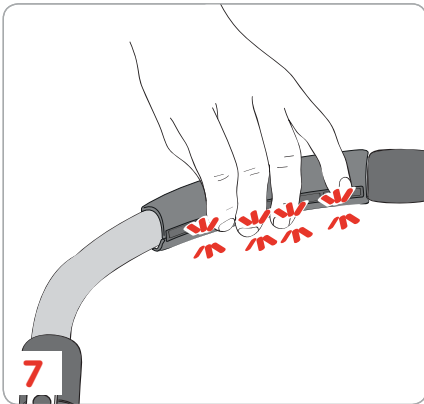
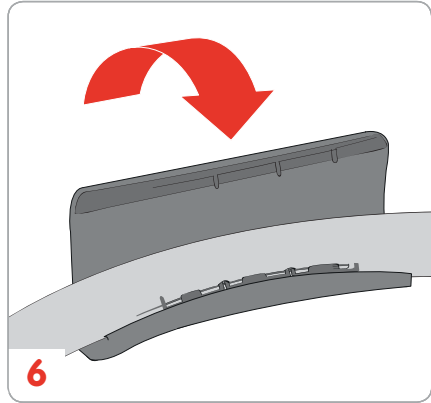
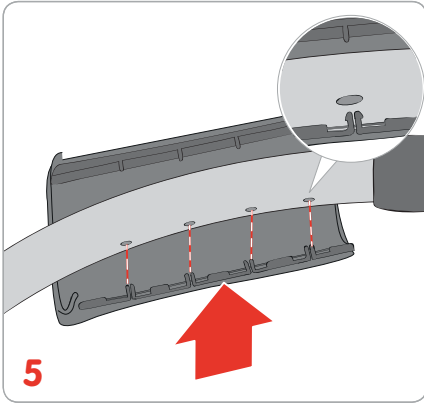


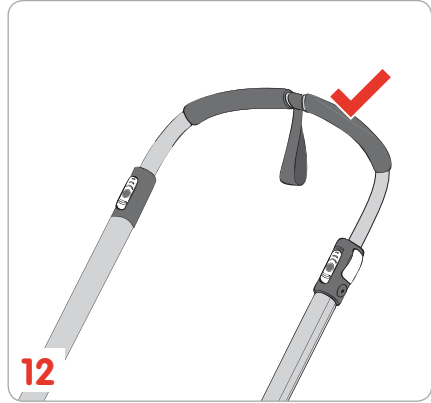
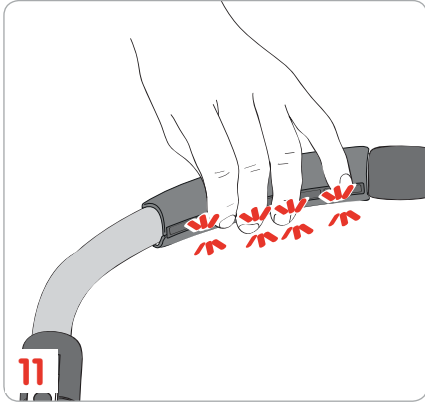


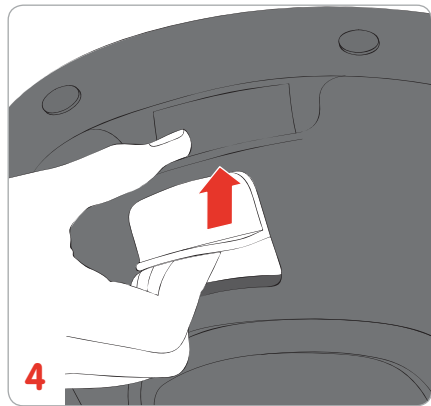
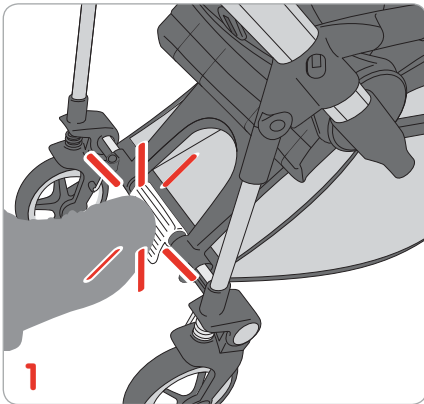


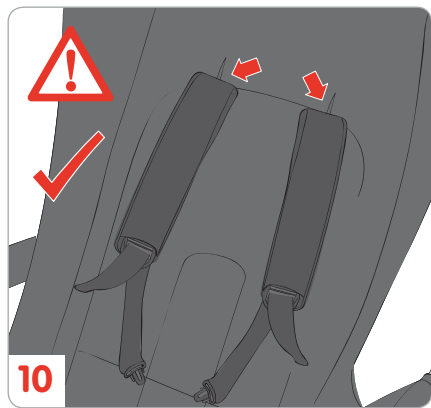
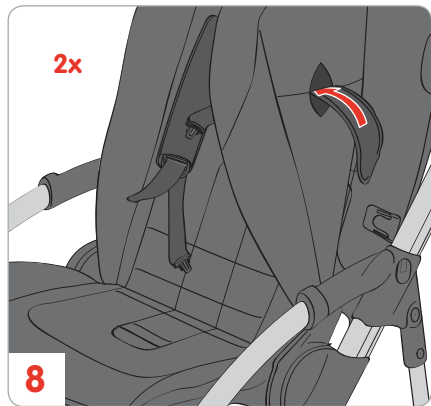
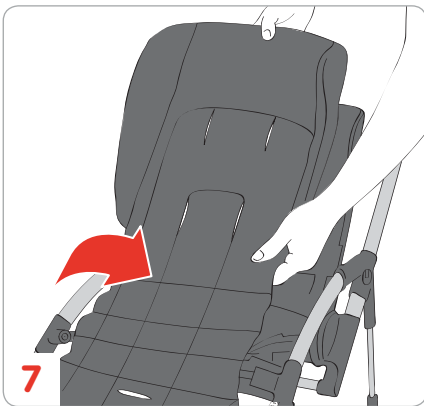


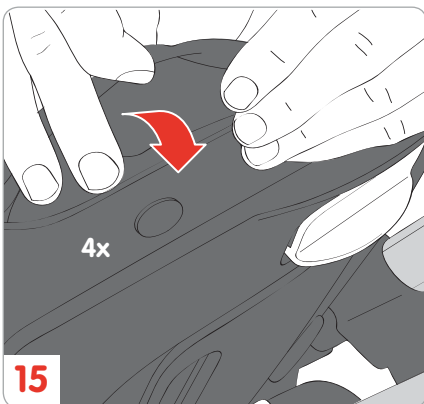
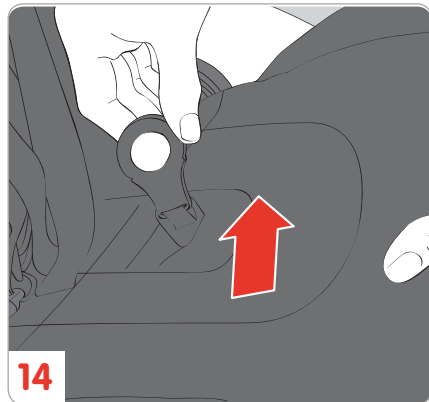
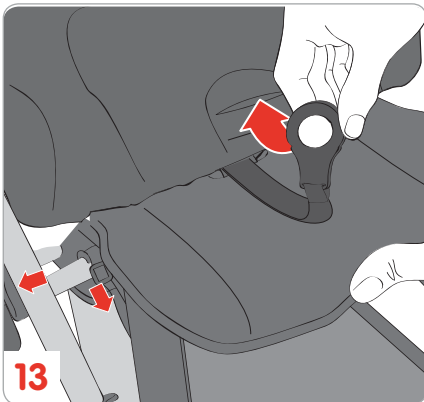
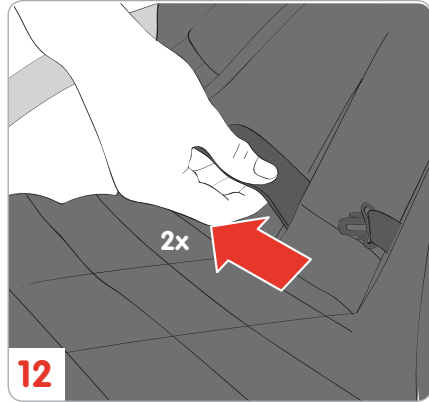
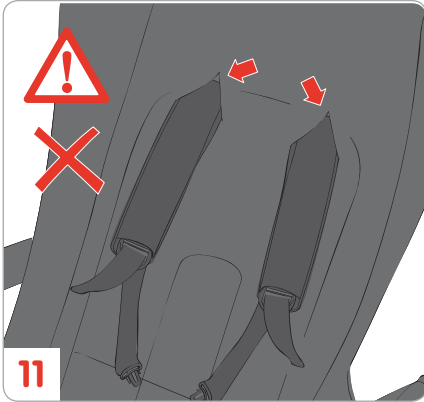


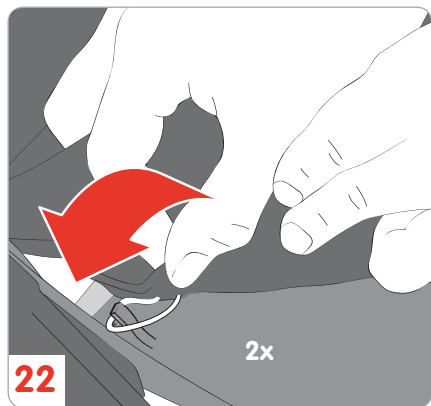
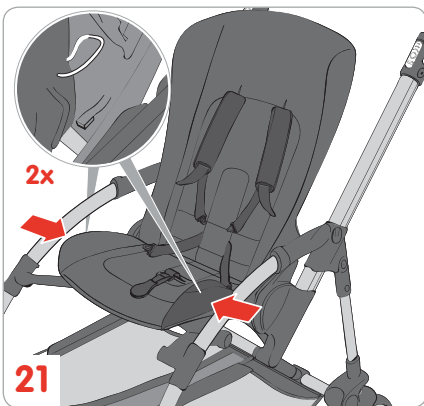
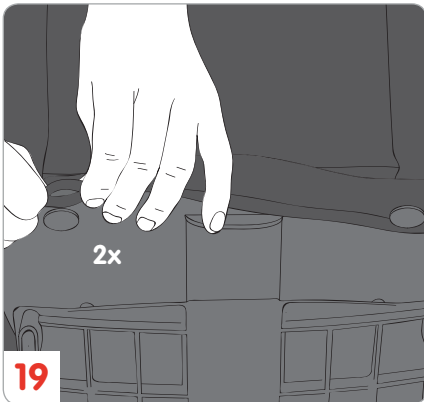
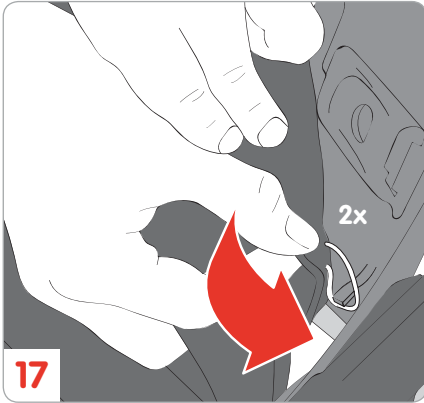




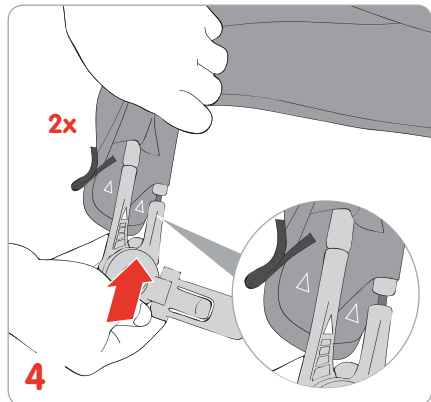
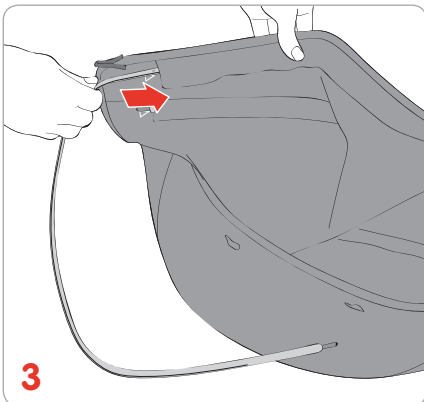
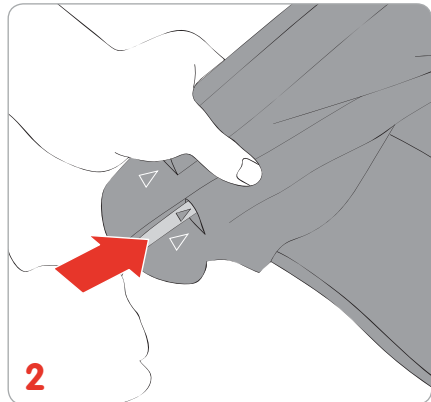
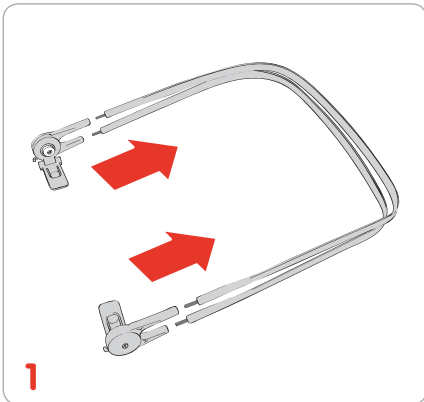
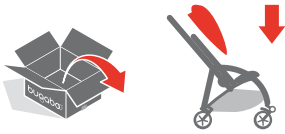


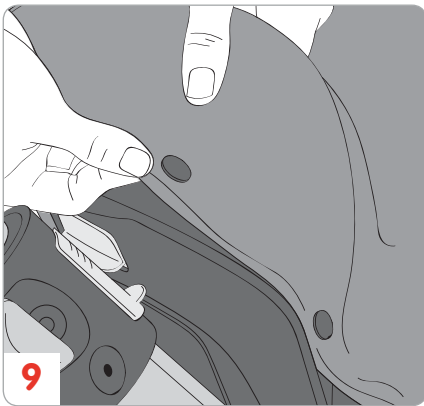
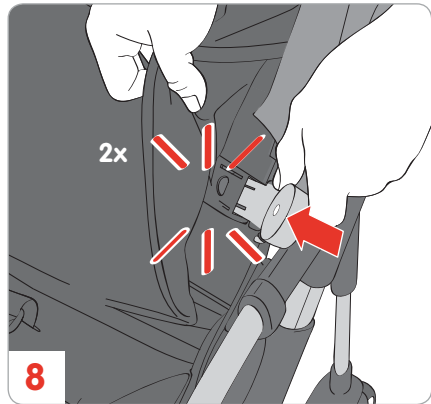
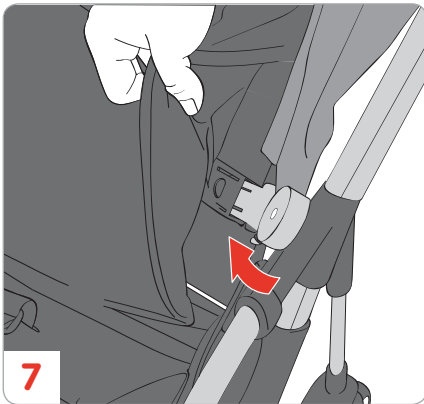
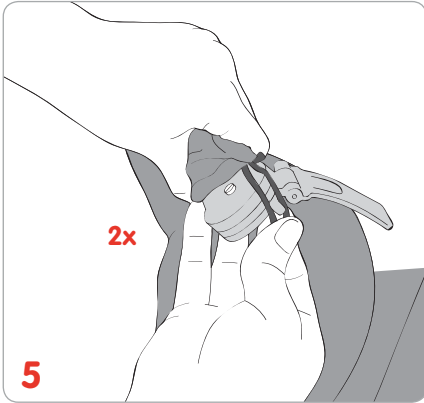


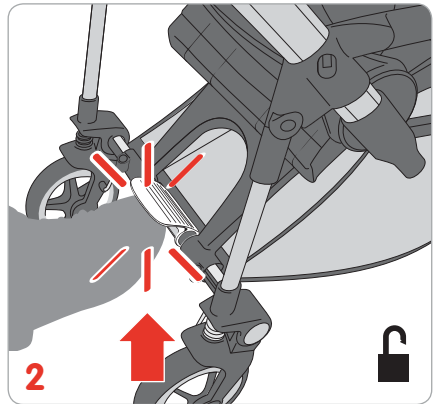
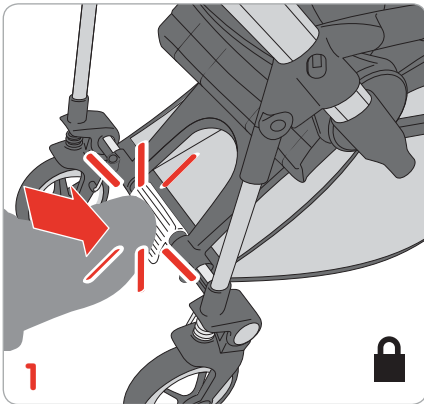


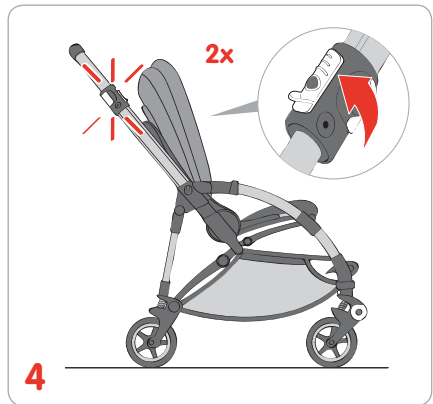
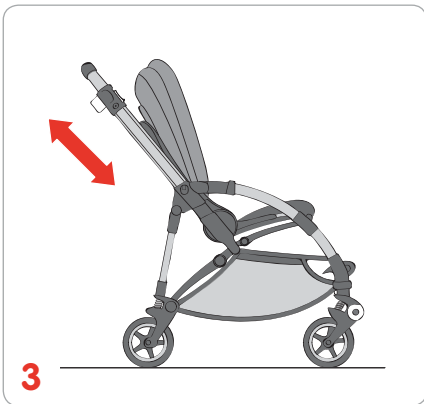
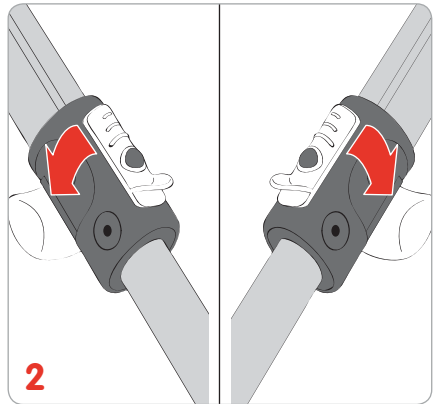
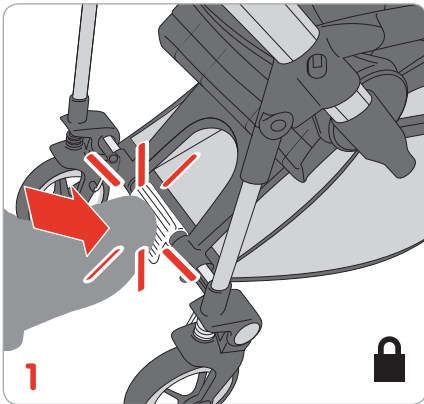


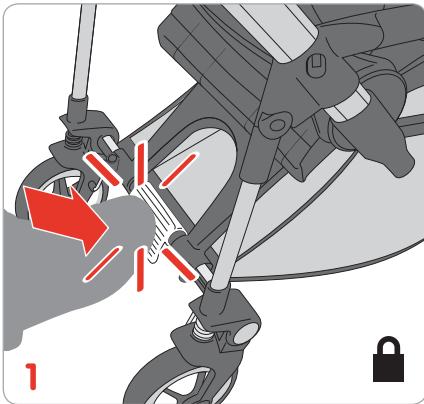


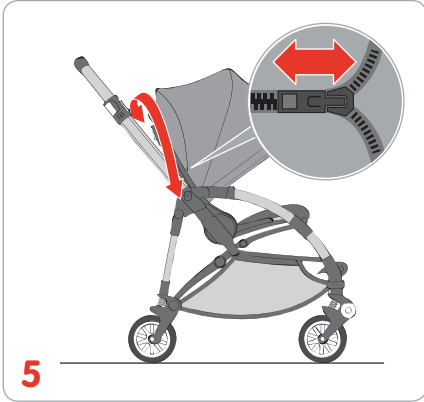


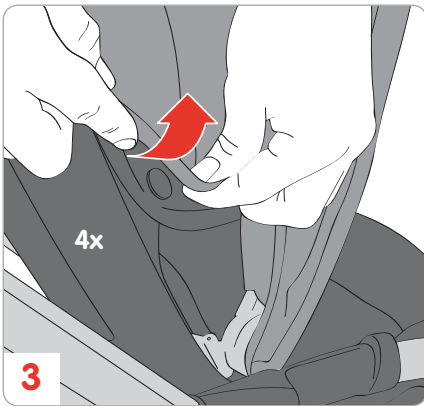
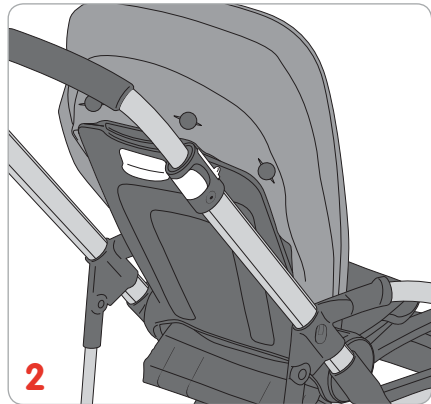
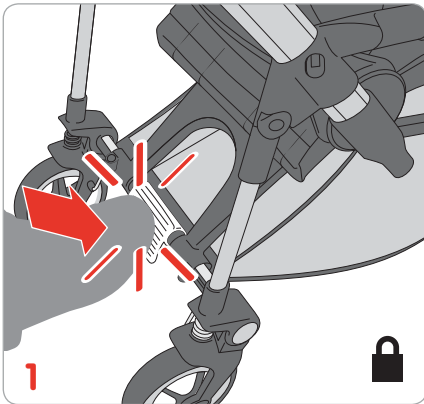


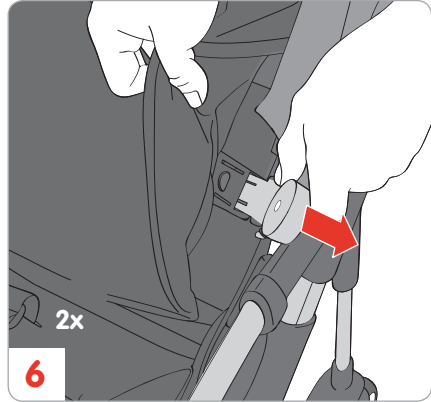
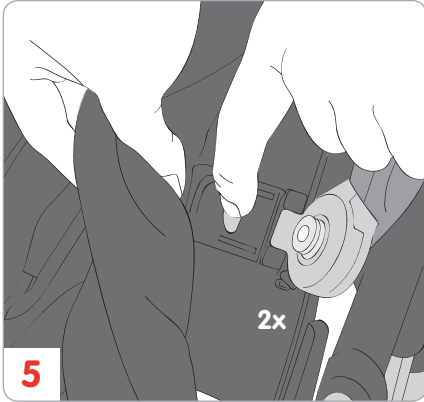


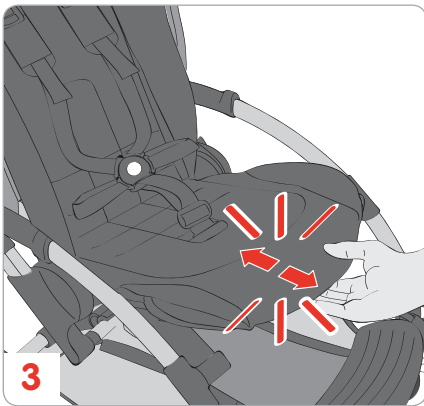
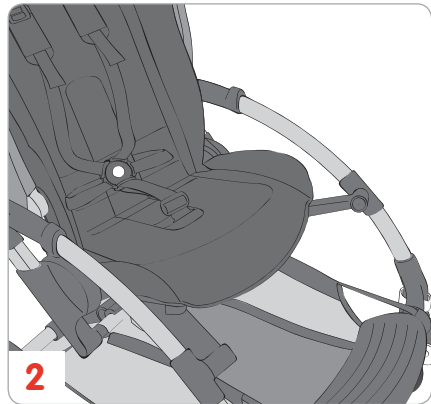
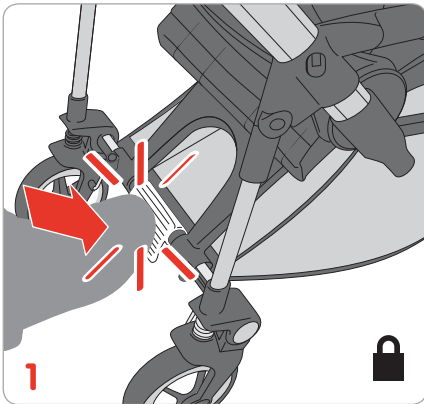


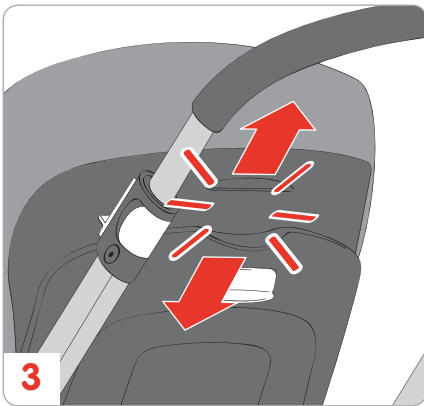
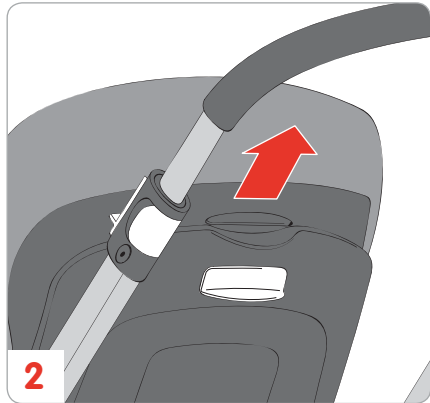
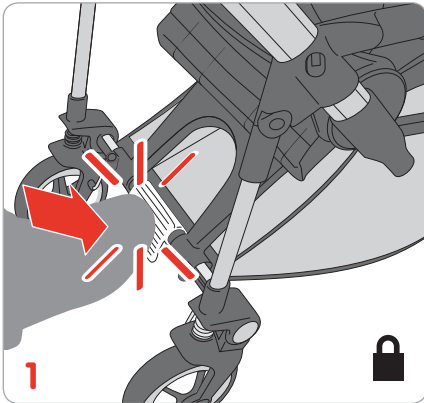


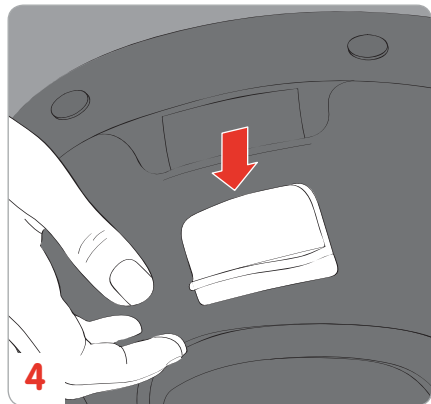
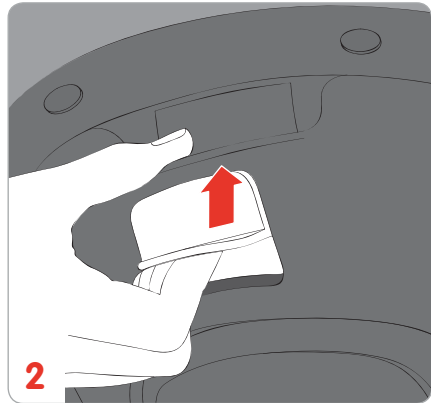
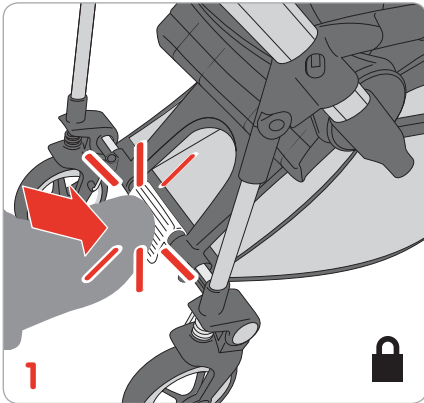


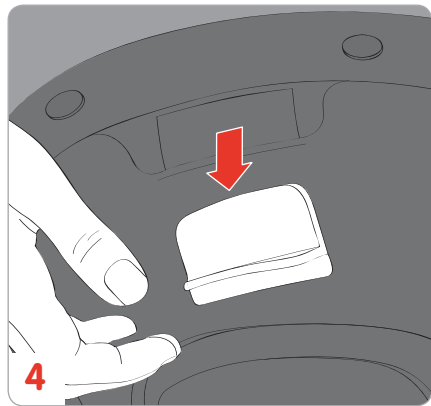
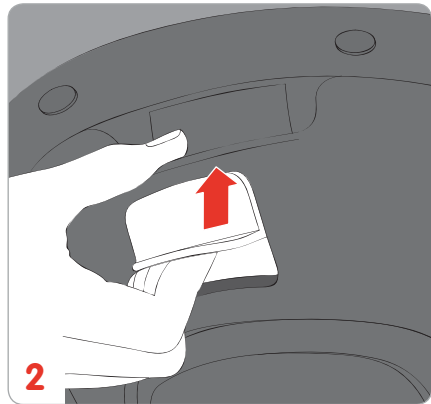
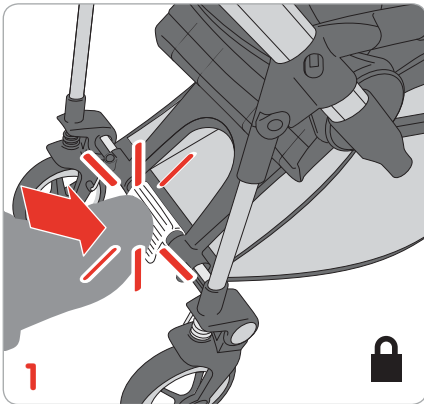


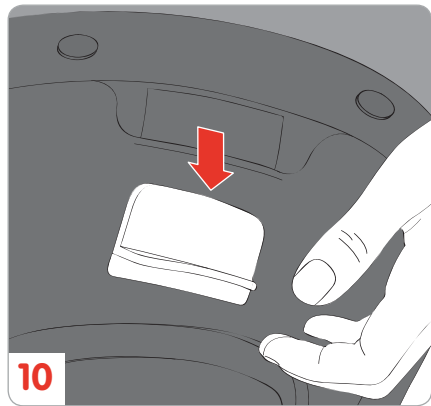
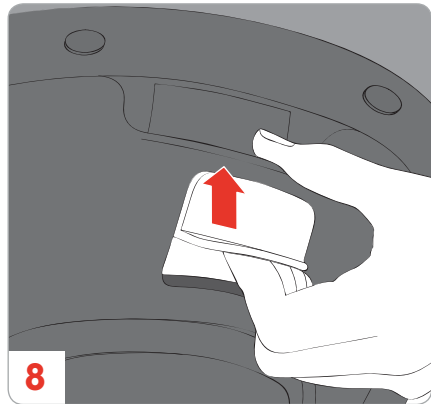


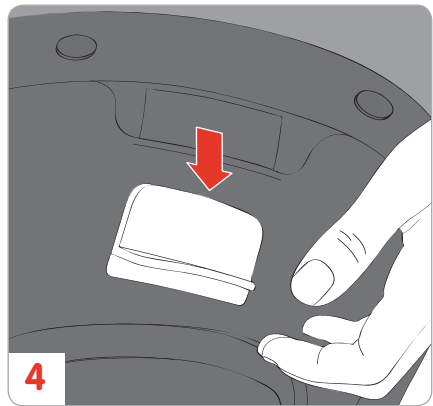
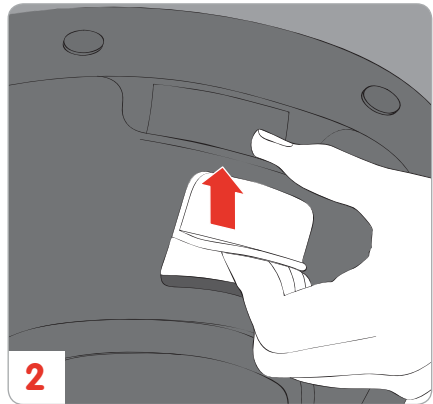
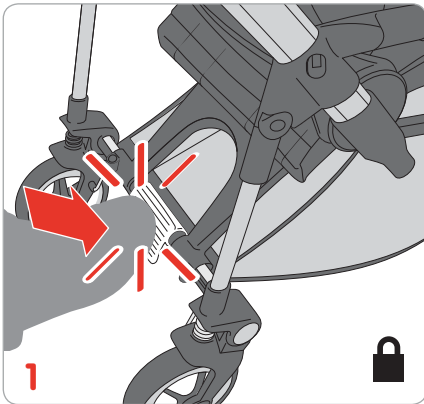


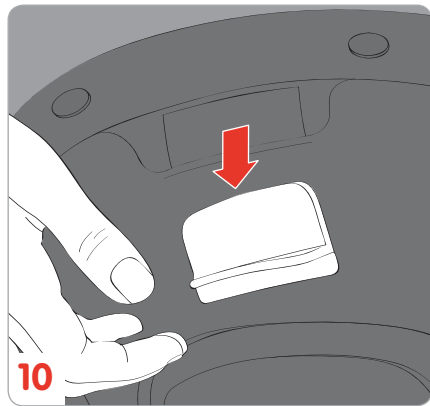
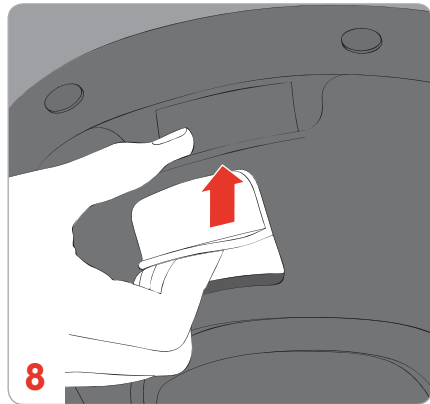
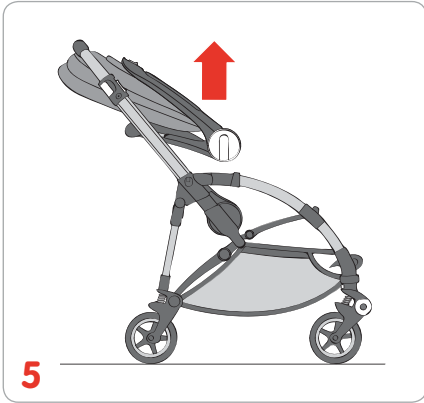


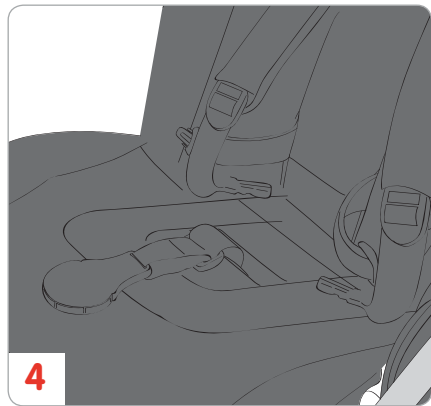
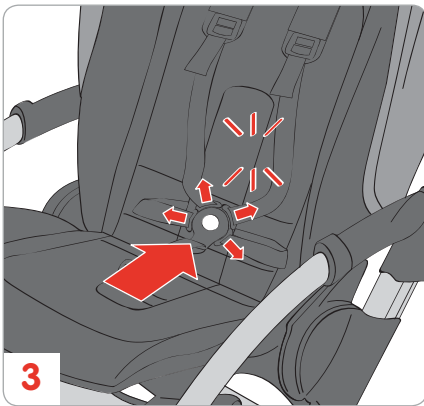
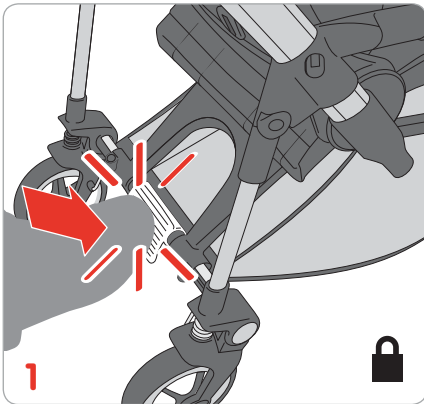


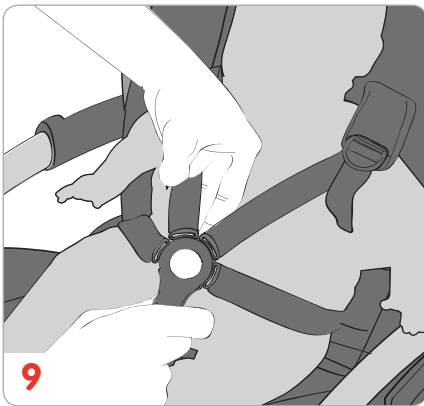
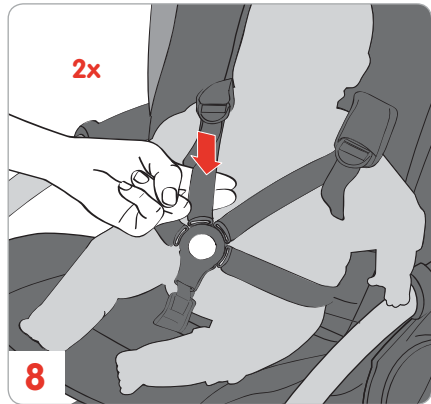
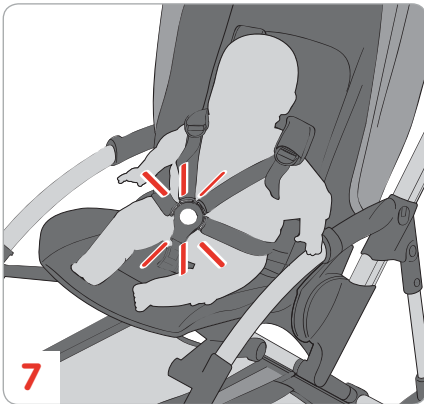
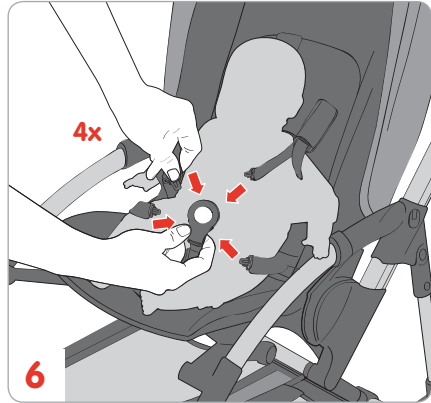
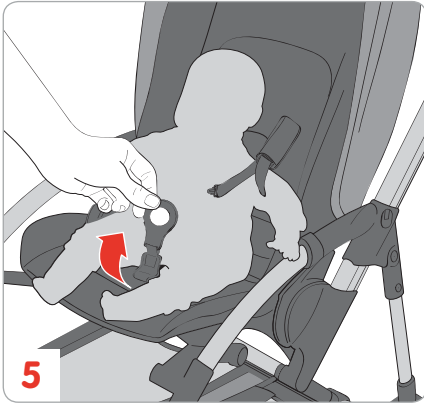


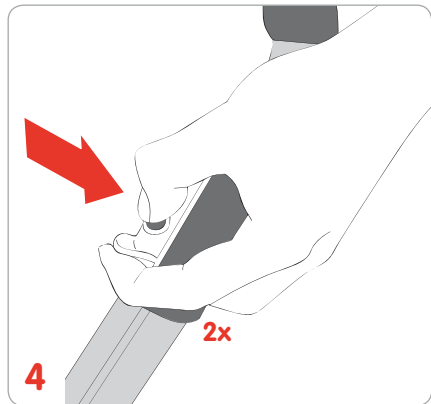
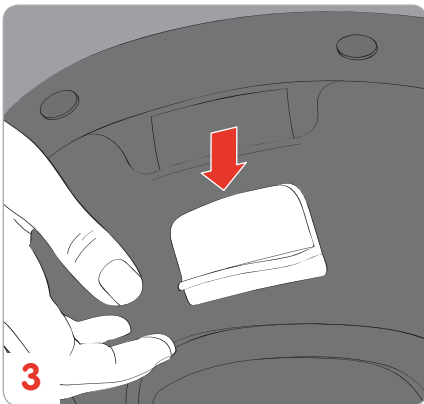
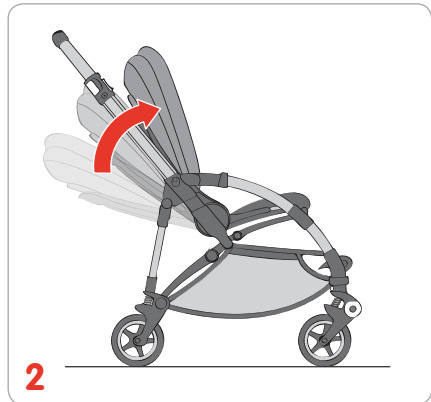
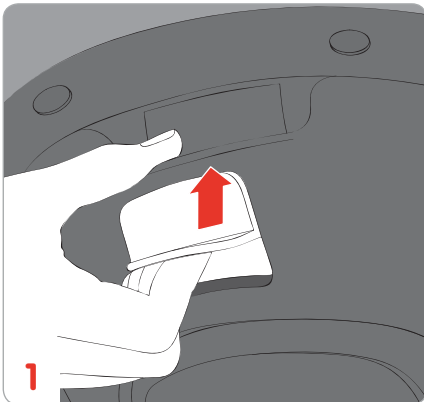


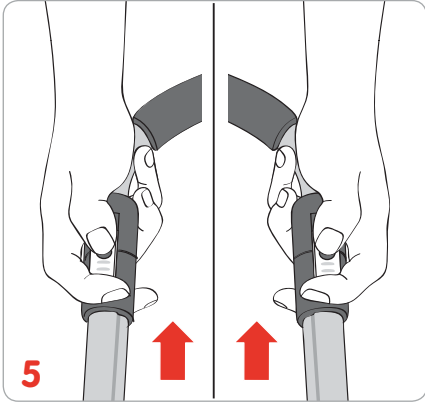


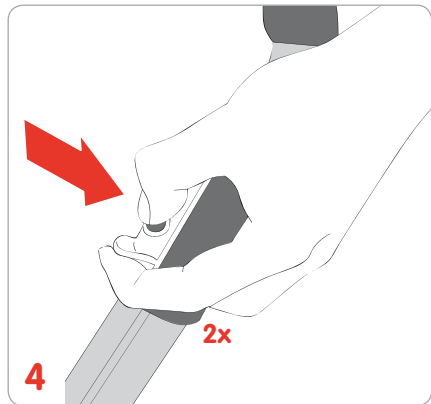
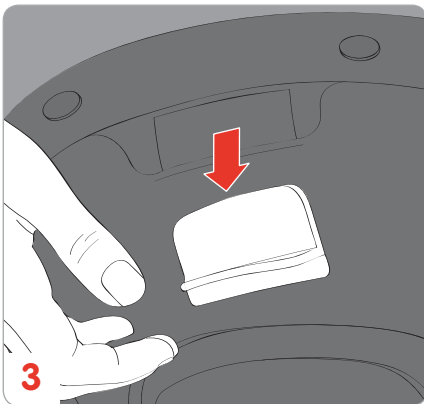
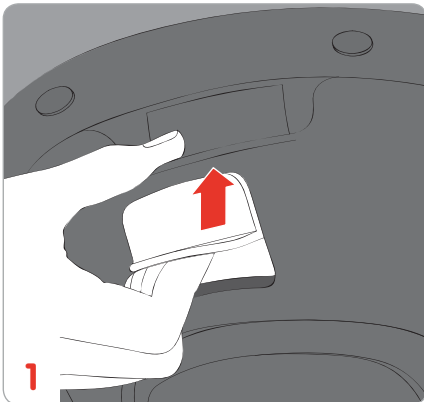


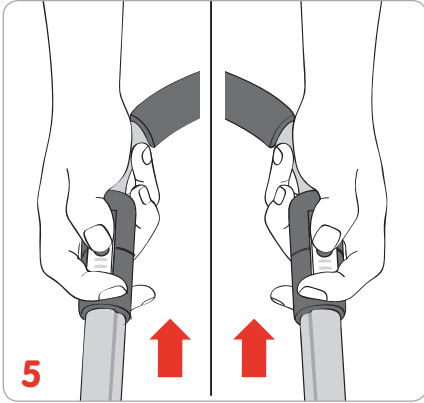


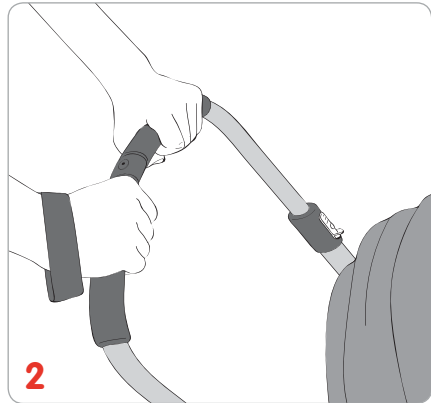
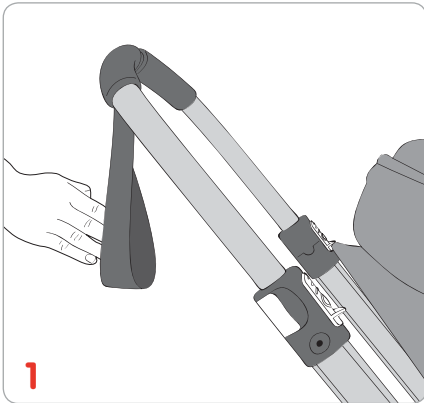


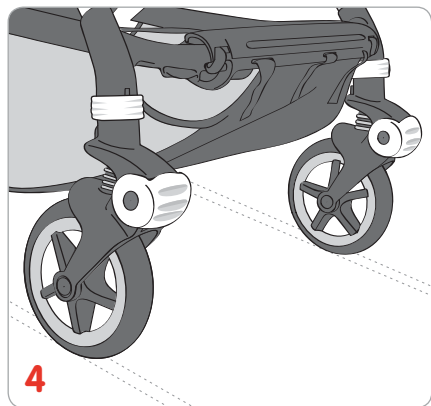
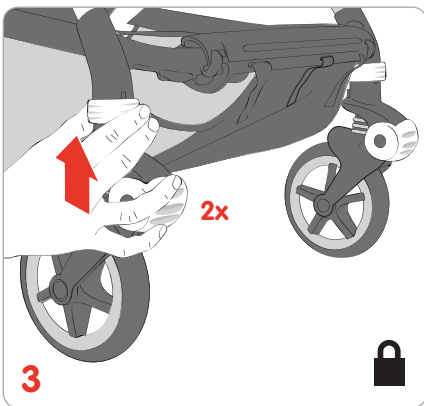
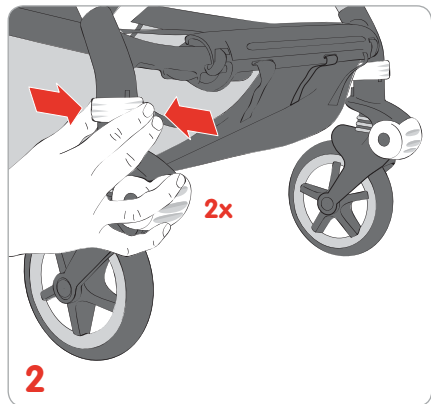
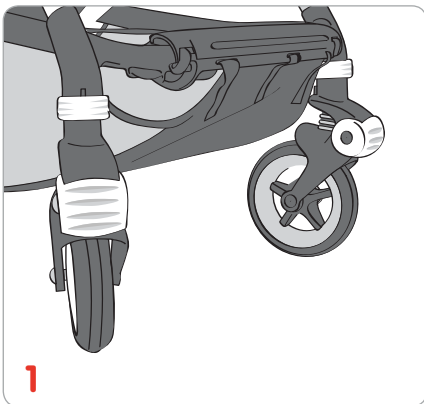


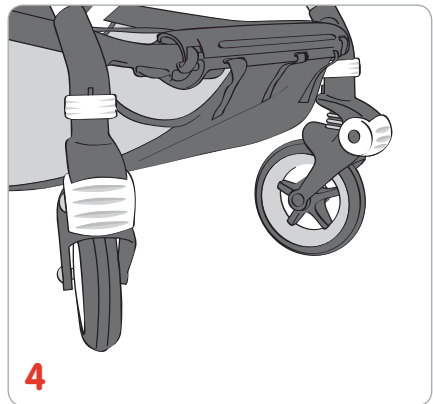
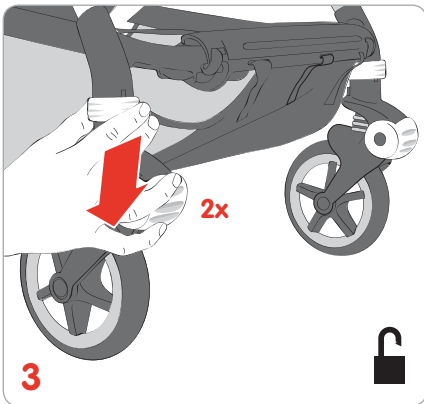
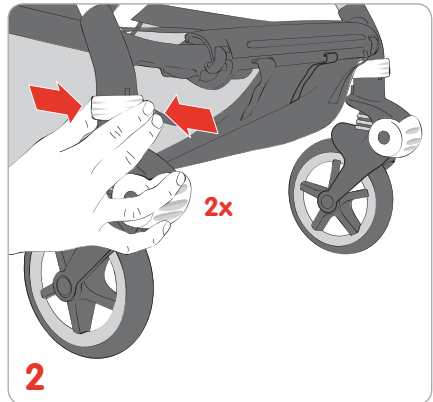
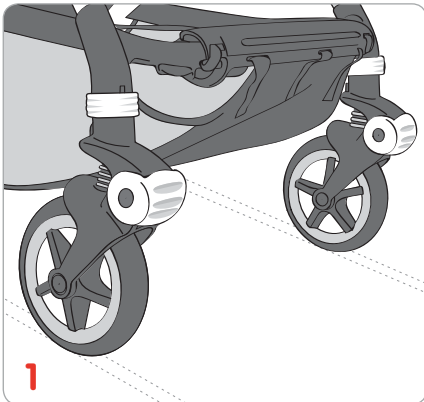


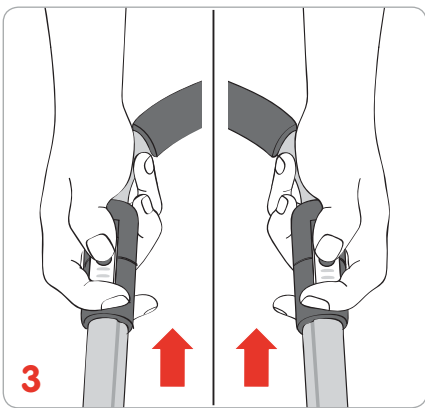
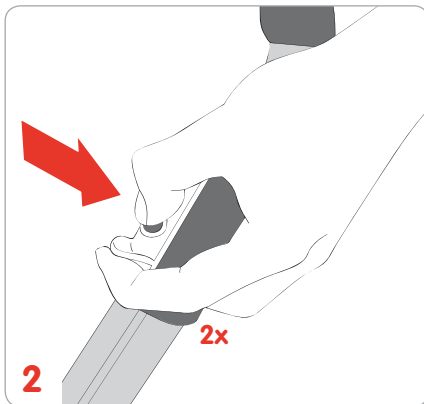
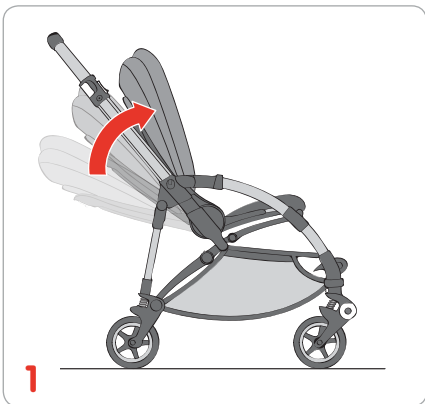


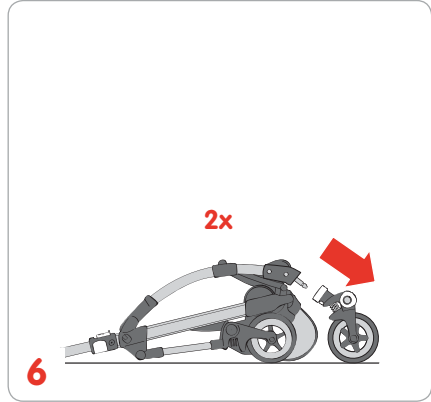
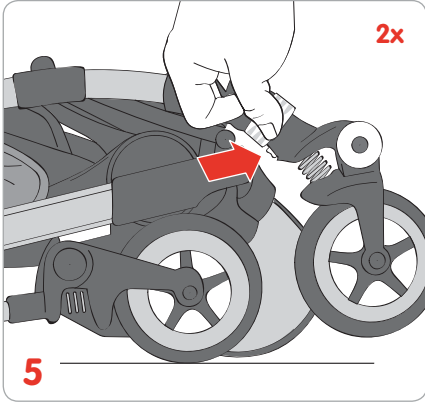


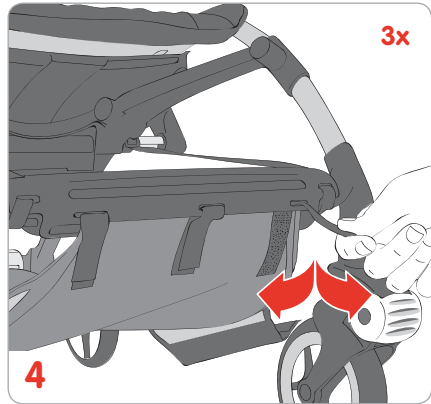
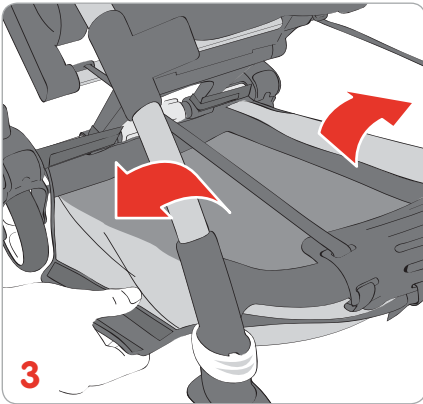
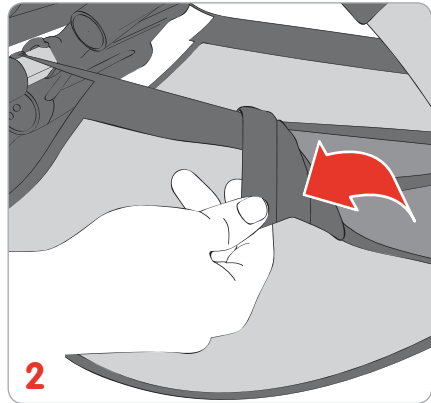
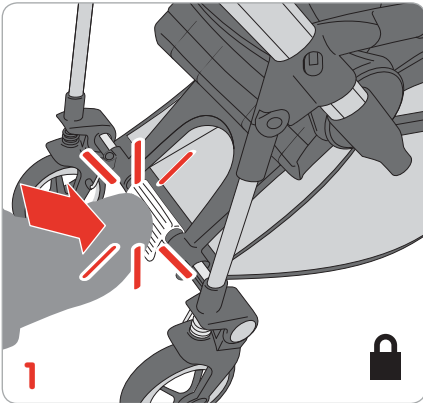


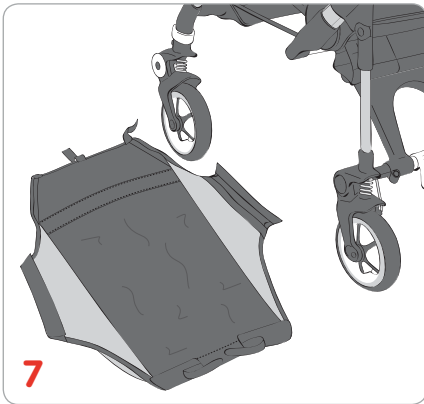
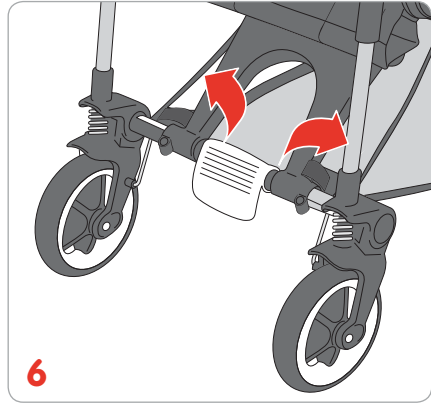
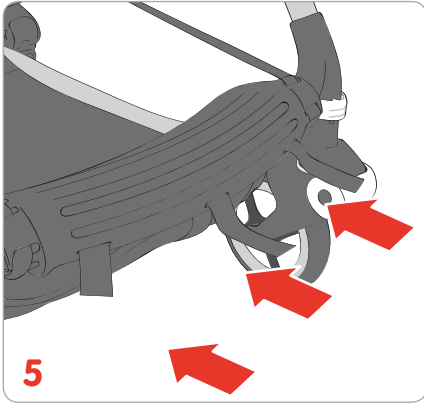


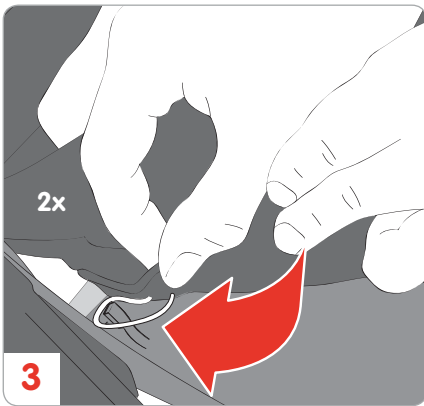
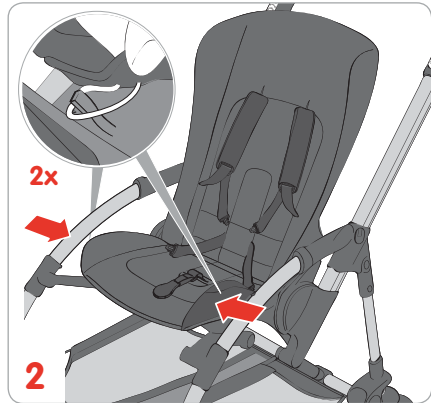
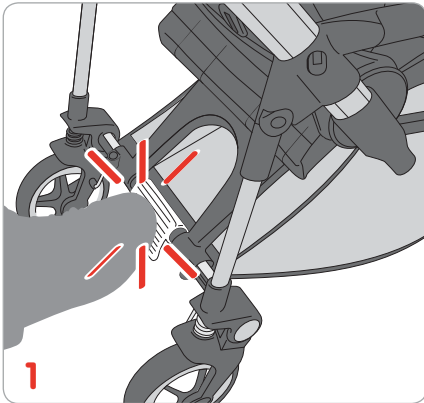


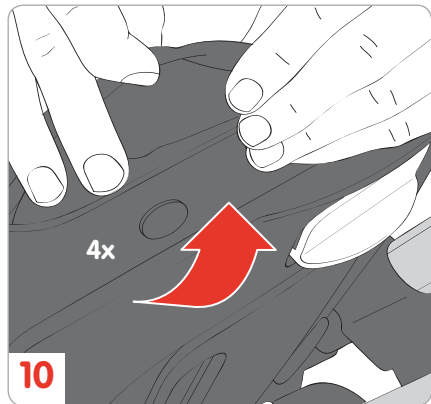
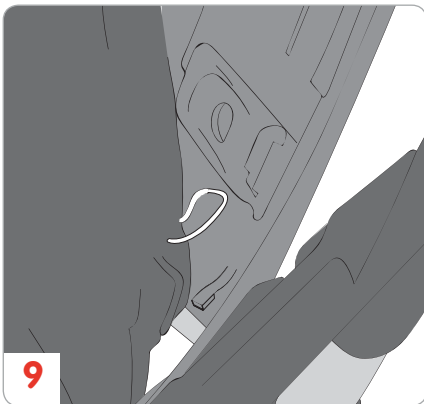
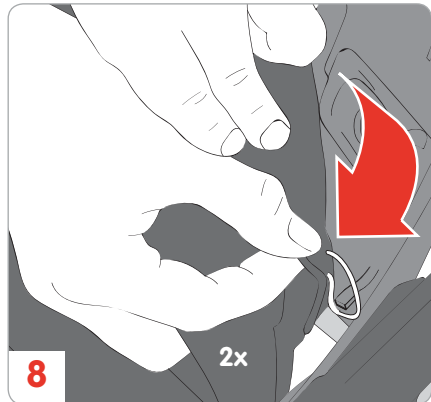
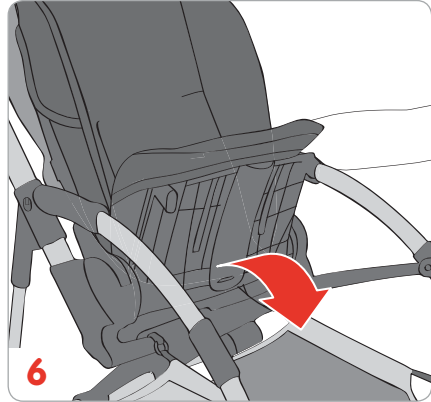
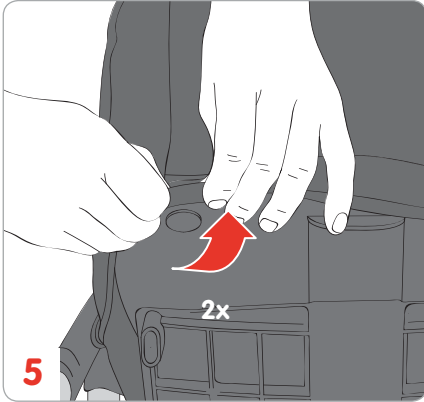


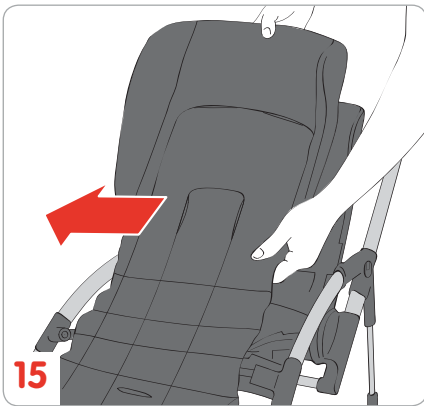
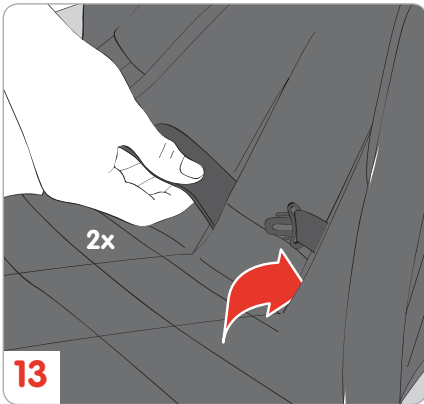
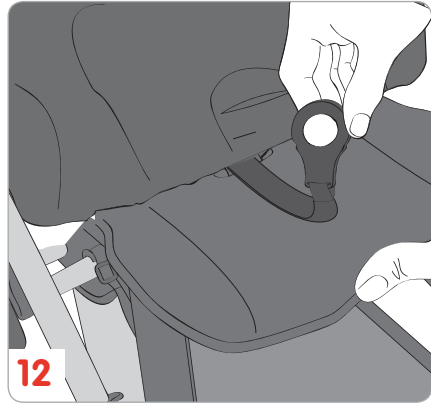
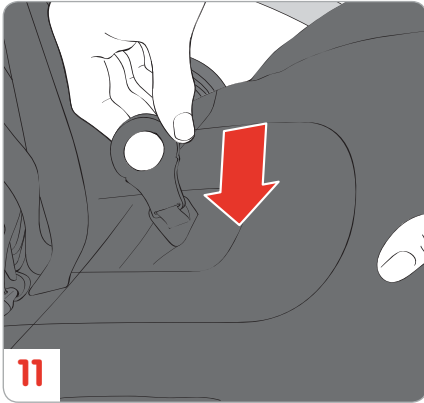


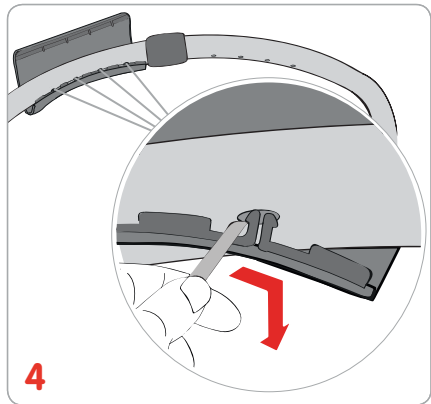
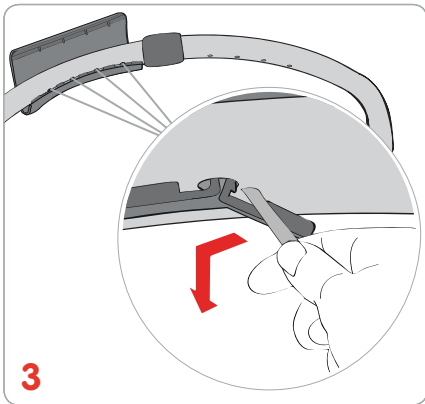
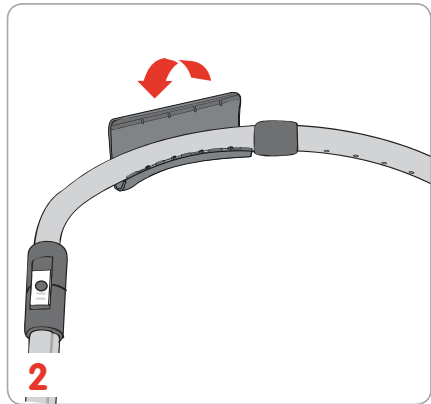
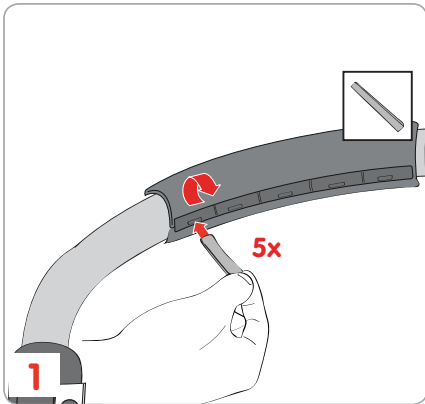
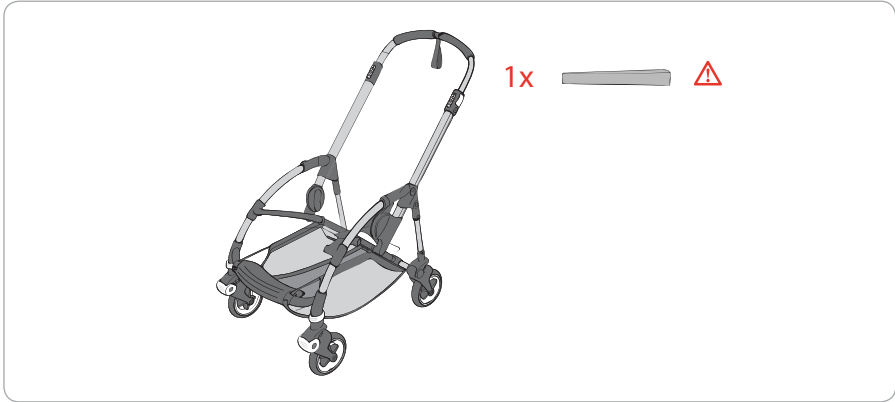


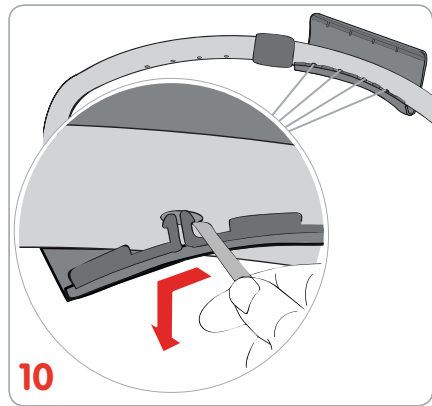
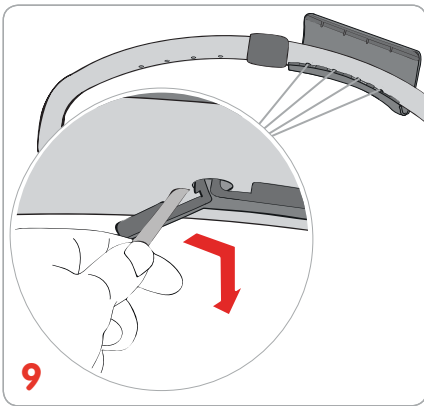
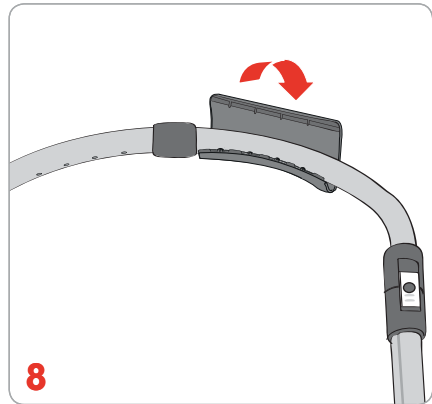
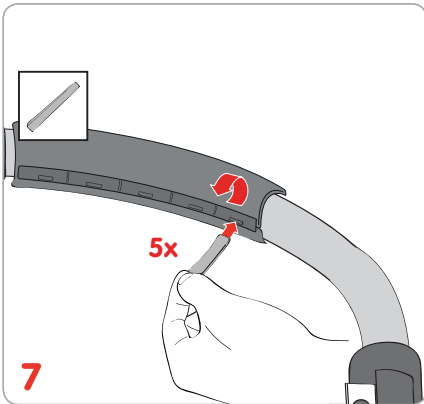
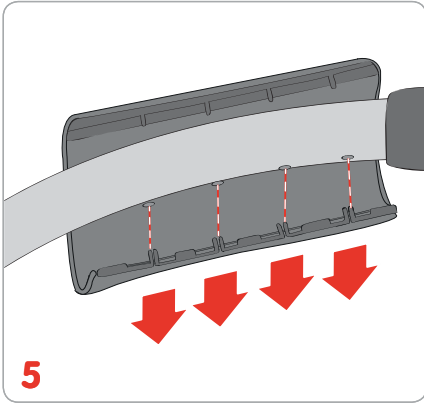


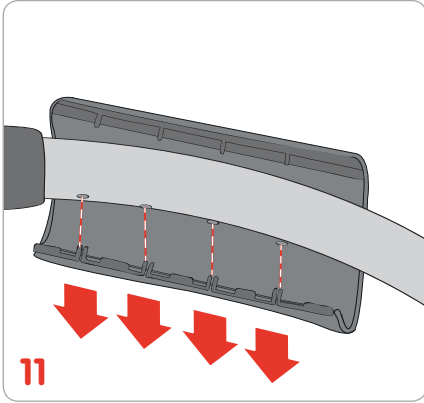


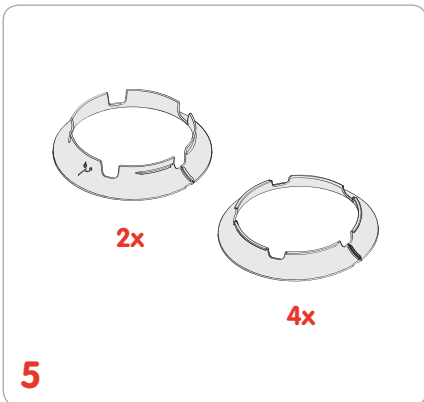
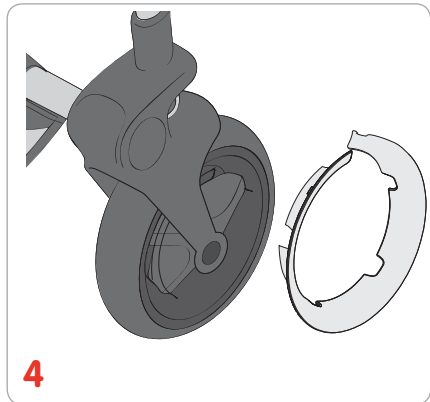
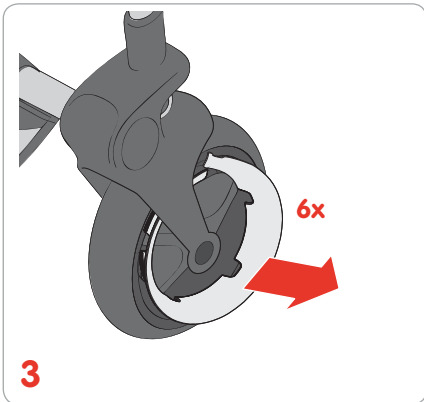
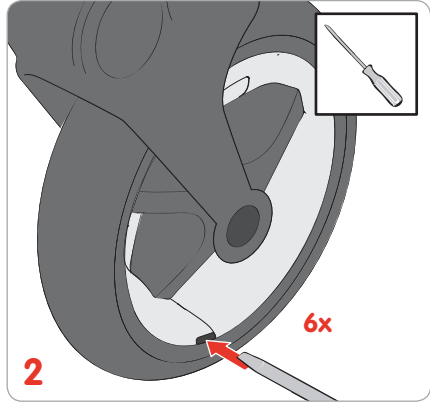
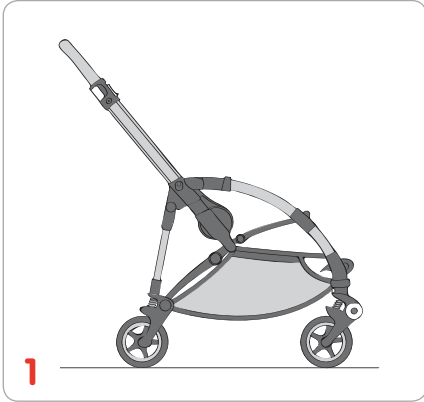
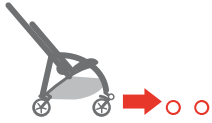


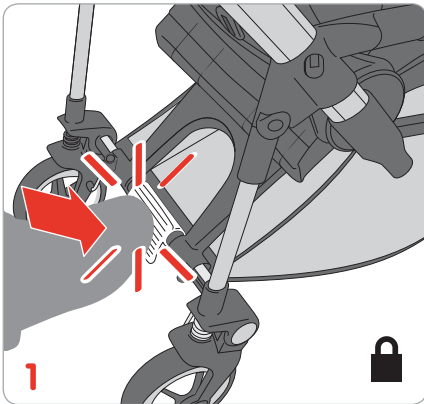


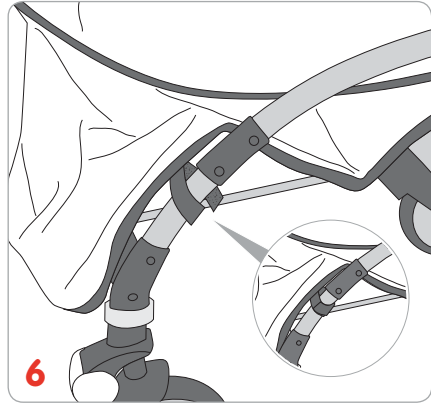
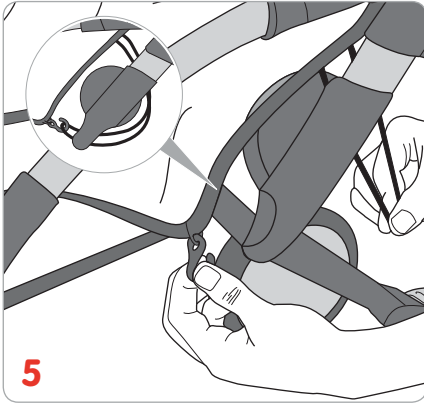


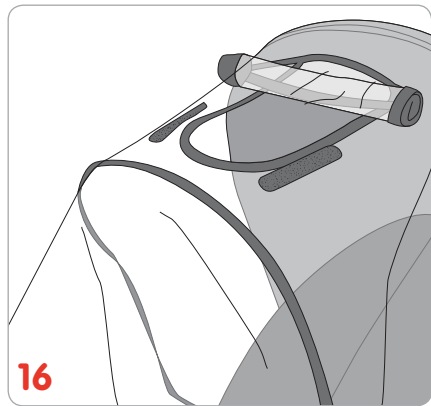
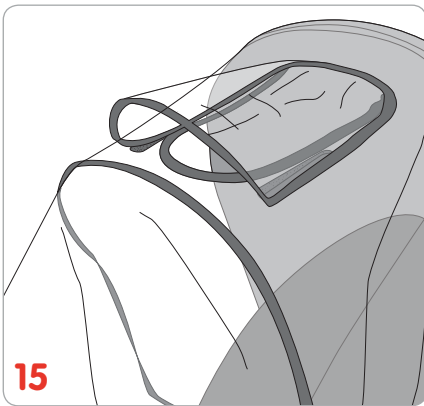
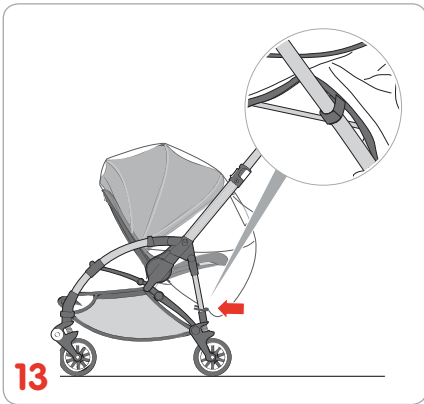
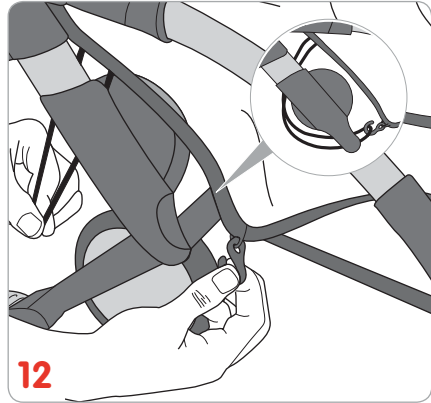












bugaboo europe

bugaboo international bv
paasheuvelweg 9 a-b
1105 be amsterdam zuidoost
the netherlands

bugaboo americas

bugaboo north america inc.
2150 park place suite 150,
el segundo, ca 90245
usa

www.bugaboo.com