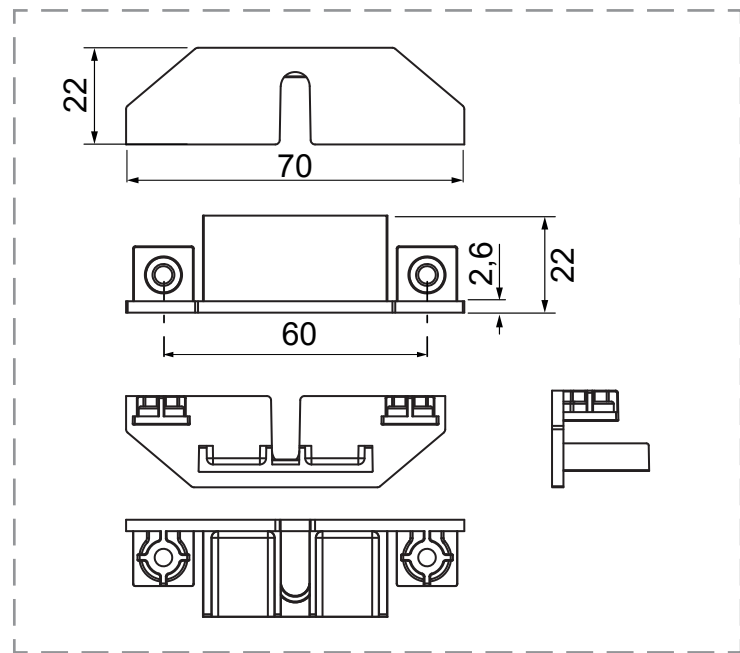
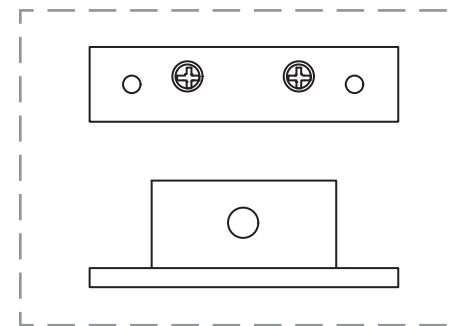


*Part for wall installation



*Part for installation on mirror/cabinet



(mm)